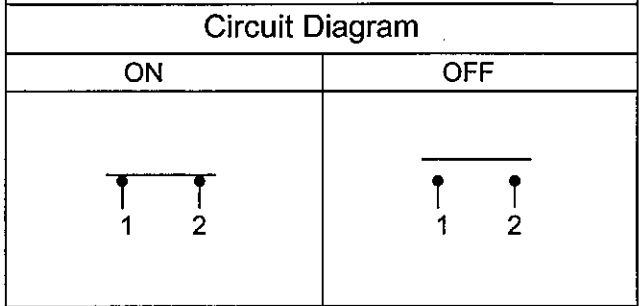
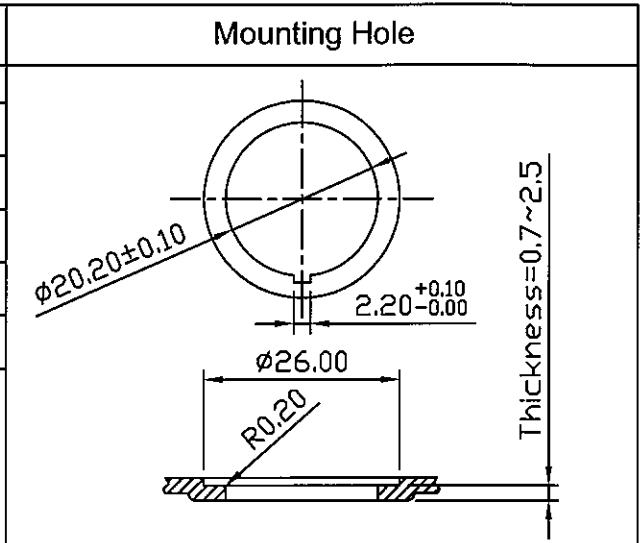
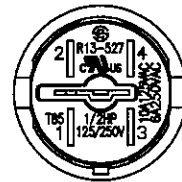
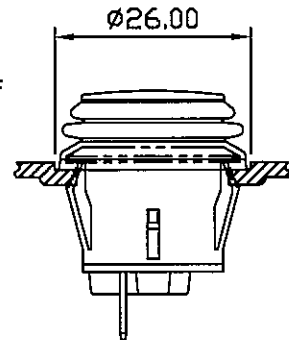
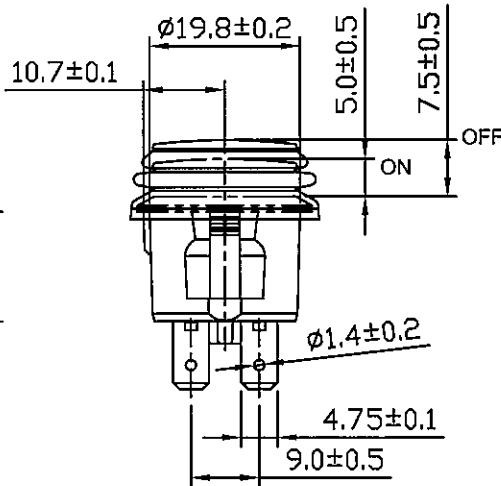
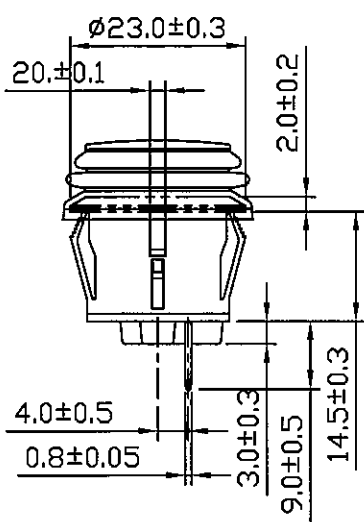
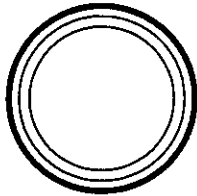


Rating	10A 125V, 6A 250V AC 1/2HP 125/250VAC
	20A 14VDC, 10A 28VDC
Contact Resistance	50m ohm Max.
Insulation Resistance	DC 500V 100M ohm Min.
Dielectric Strength	AC 1500V 1 minute
Operation Temperature	-25°C ~ 85°C
Switch Function	2P SPST ON-OFF



***MATERIAL:**
 Frame: Black, Nylon 66 (94-V2)
 Actuator: Black, PC (94-V2)
 Terminals: Silver plated, Copper alloy
 Waterproof Rubber: Black, Silicone
 Printed: None
 Waterproof: IP65



for EF001 only

C8\客戶圖面\EF001\R13-527D2-02(44103)

						△
						△
Date		Name		Description		NO
Drawn	Checked	Approved	SCI BOM NO.	Model Name	PUSH SWITCH	
曹盈芳			Customer No. 44103	Model No.	R13-527D2-02	Rev. 0
01/20/11			Unit mm	Shin Chin Industrial Co., Ltd.		