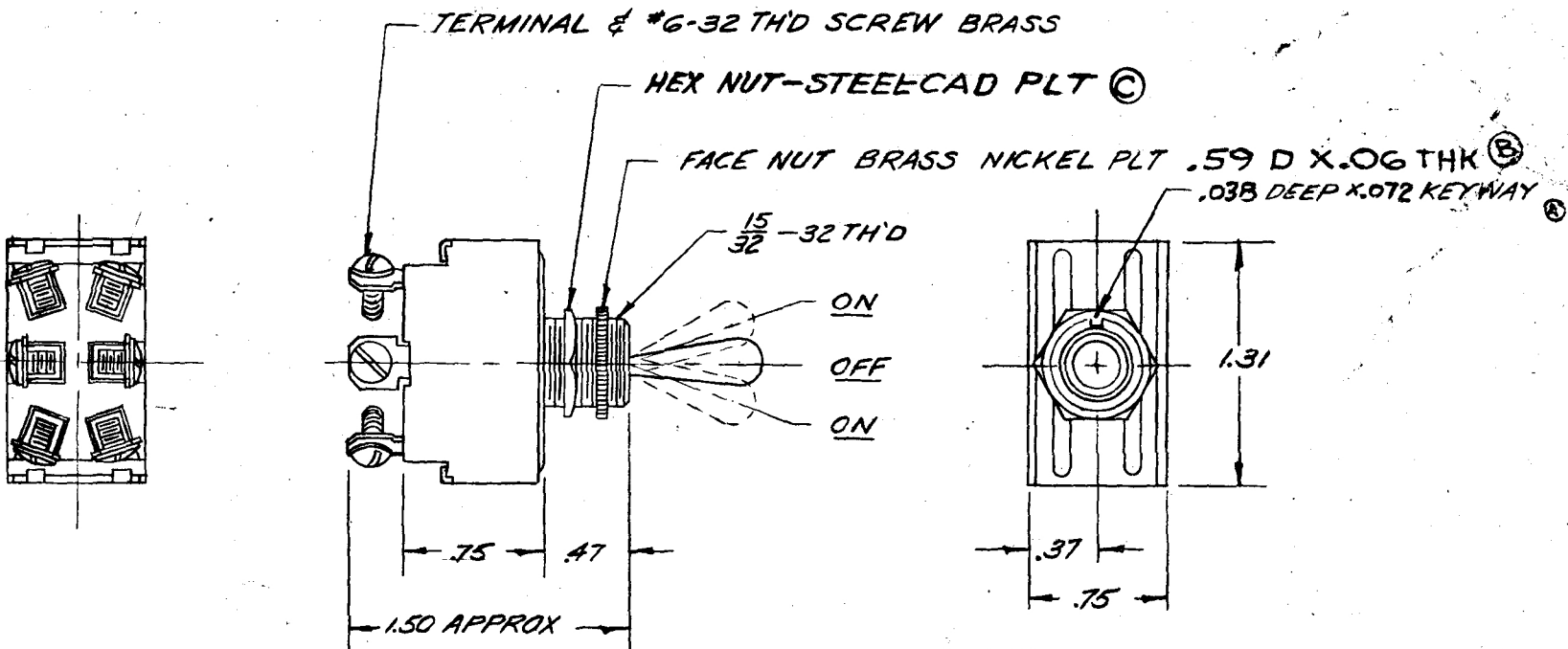


COLE-HERSEE CO.



NOTE:
 © SILVER CONTACT SURFACES

LET	WAS	DATE	BY	LET	WAS	DATE	BY	MATERIAL	DRAWN	CHECKED	APPR'D	SCALE	USED ON	DATE DRAWN
								—	JP			1-1		10-23-58
				D	ADD NOTE/25432	9/15/93	T.H.	FINISH	COLE-HERSEE COMPANY BOSTON 27, MASS., U. S. A.					DATE ISSUED
				C	BRASS NICKEL 16294	11-25-68	N.B.							
				B	ADDED DIM 16093	5-29-68	R.V.	TOLERANCES	NAME D.P.D.T. "ON-OFF-ON" TOGGLE SWITCH					PART NO.
				A	.03 x .06 KEYWAY 13832	1-17-64	B	FRACTIONAL ± .015 DECIMAL ± .010						