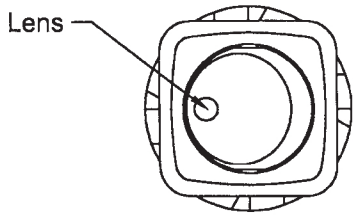


Rating	20A 14VDC		Circuit Diagram	
Contact Resistance	50m ohm Max.			
Insulation Resistance	DC 500V 100M ohm Min.			
Dielectric Strength	AC 1500V 1 minute			
Operation Temperature	-20°C~85°C			
Switch Function	3P SPST ON-OFF (LED dependent)			



**Material**

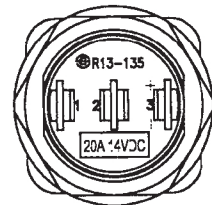
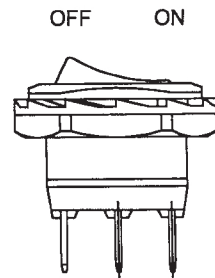
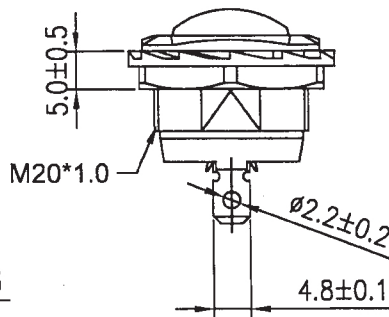
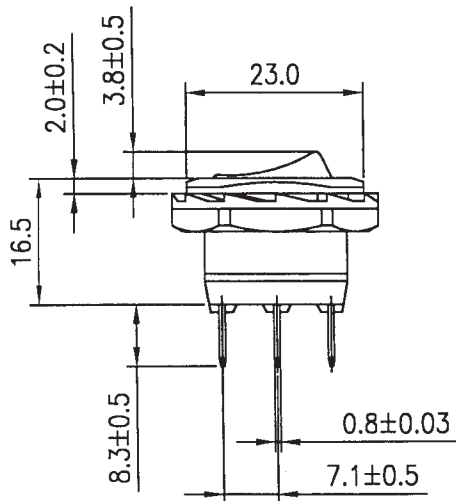
Frame: Black,Nylon#66+33%GF

Actuator: Black,Nylon#66

Lens: Amber Clear, PC

LED: Amber

Printed: None



Tolerances ±0.3 Unless Otherwise Specified

						△
						△
Date	Name	Description				NO
Drawn	Checked	Approved	SCI BOM No.	1821744	Model Name	ROCKER SWITCH
黃洋	周志輝	Simon	Customer No.	7510005	Model No.	R13-135B2-02
10/27/14	11/28-14	11/28-14	Unit	mm	Shin Chin Industrial Co., Ltd.	
						Rev. 0