

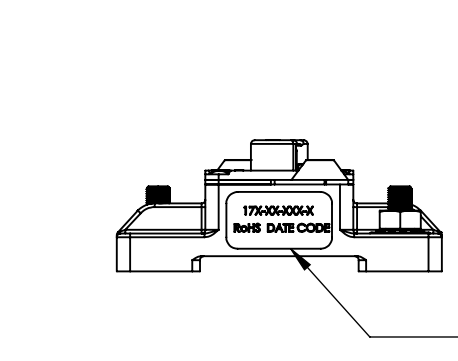
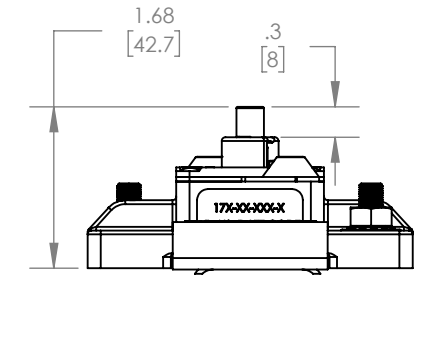
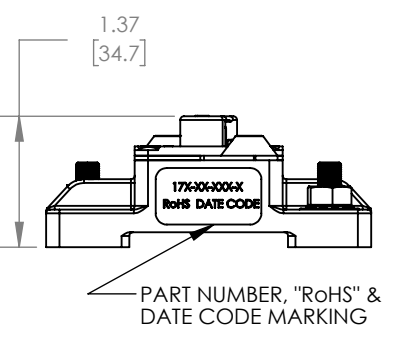
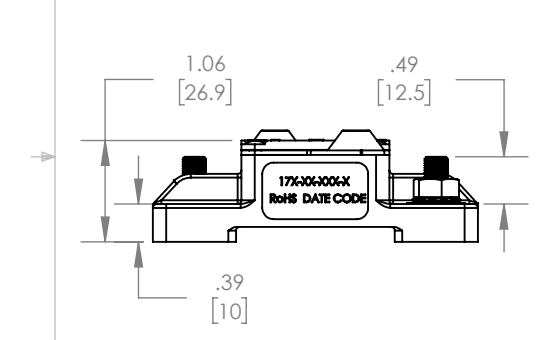
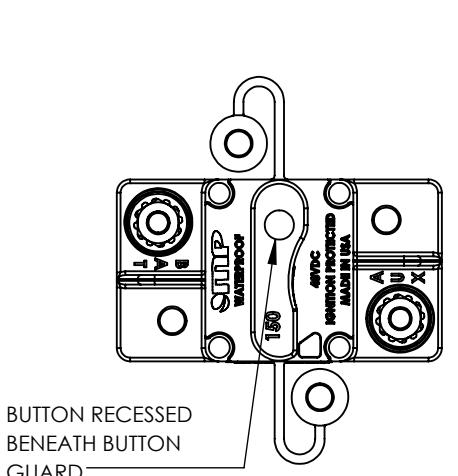
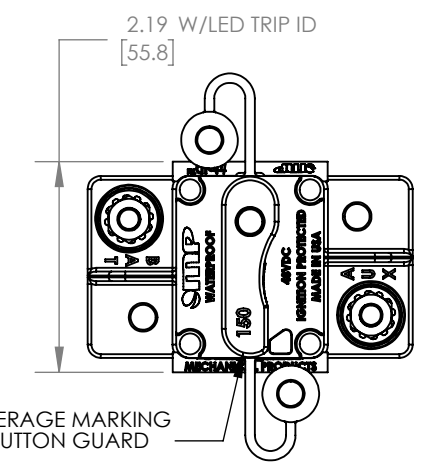
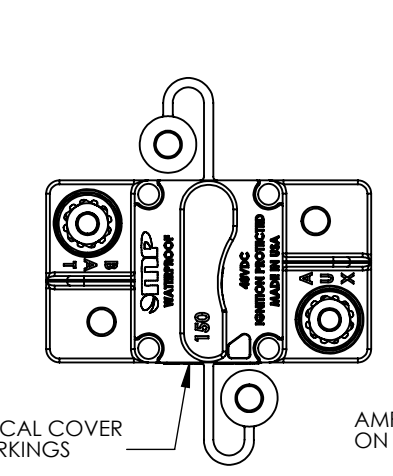
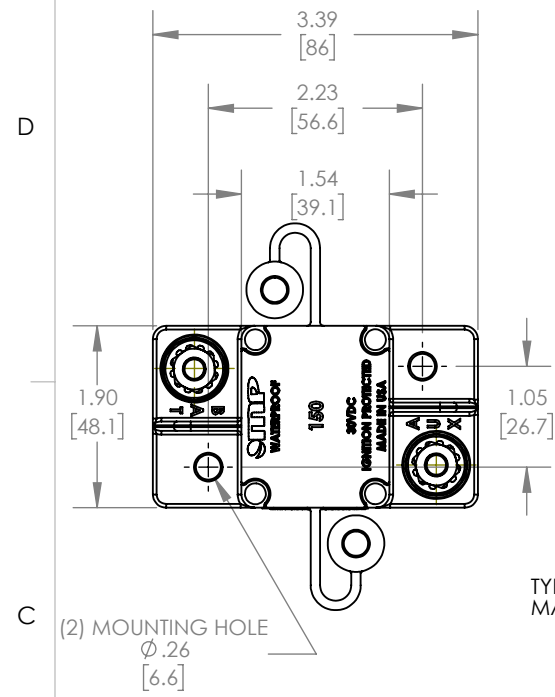
**171-S0**

**174-S0**

**175-S0**

**176-S0**

REVISIONS				
LTR	DESCRIPTION	ECR	DATE	APPROVED
X1	INITIAL RELEASED		03-13-2013	
X2	ADDED 3/8-16 STUD HEIGHT DIMENSION & ADDED NOTE.		04-18-2013	
A	RELEASED TO SALES		04-25-2013	
B	UPDATED PART NUMBER SCHEME.		06-26-2013	
C	REMOVED 3/8 STUD VERSION FROM DRAWING.		12-06-2013	
D	REVISED SPEC NOTE #2: 25A TO 200A WAS 25A TO 150A.		04-10-2014	
E	ADDED SPECIFICATIONS NOTES 3C & 4C AND UPATED NOTES 3B & 4B.		05-09-2014	
F	RELEASED WITH OFFICIAL DRAWING NUMBER	12180	07-07-2014	CTH
G	ADDED P/N 176 TO P/N SYSTEM, VIEWS, NOTES & SPECS #3 & #4	12401	05-16-2018	CTH
H	REVISED P/N SCHEME 17X-S0-XXX-X-X WAS 17X-S0-XXX-X. ADDED EXAMPLE IMAGE FOR SIDE MARKING FOR -R WITH CE MARK.	12470	02-11-2020	CTH
J	ADDED -L OPTION (LED TRIP INDICATOR), DIM 2.19 & VIEW	12491	06-24-2020	CTH
K	ADDED SHEET 2 & NEW P/N 177-XX-XXX-X-X-X FOR BUTTON GUARD OPTION. MOVED SPECIFICATIONS FROM SHEET 1 TO SHEET 2 FOR SPACE PURPOSE & UPDATED SPECS TO INCLUDED 177 OPTION	12589	04-18-2023	CTH



**17X - S0 - XXX - X - X - X**

SERIES: 17X  
 TYPE: S0  
 AMPERAGE: XXX  
 HARDWARE: X  
 LED TRIP ID: X

- 1 - TYPE I, AUTOMATIC
- 4 - TYPE III, MANUAL RESET
- 5 - TYPE III, MANUAL TRIP/RESET
- 6 - TYPE III, MANUAL TRIP/RESET W/RED RECESSED BUTTON
- 7 - TYPE III, MANUAL TRIP/RESET W/BUTTON GUARD

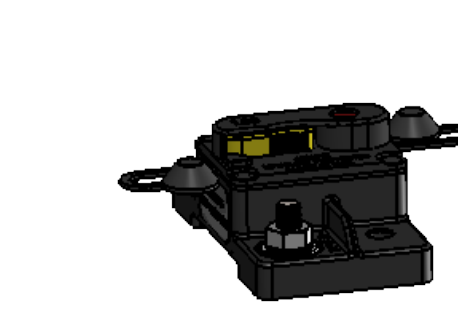
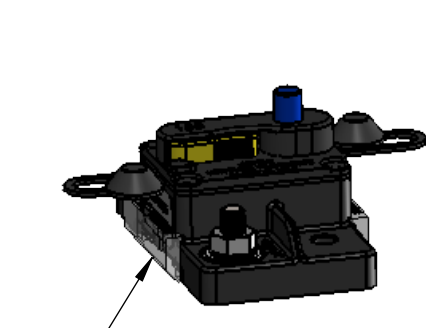
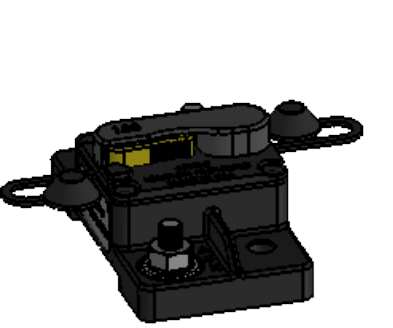
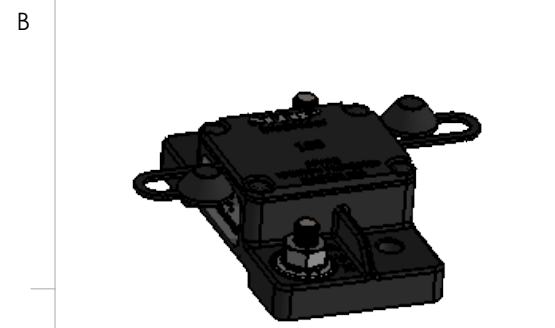
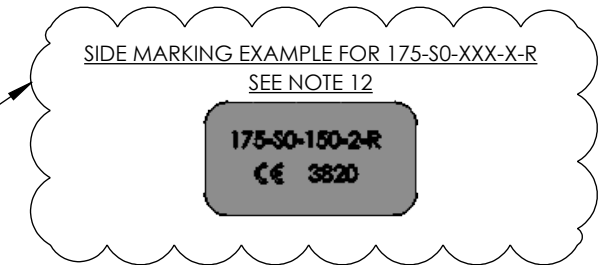
L = 17LED-R, ASSEMBLED  
 (175 & 177 ONLY)  
 NONE = BLUE BUTTON & NO CE MARK  
 R = RED BUTTON & CE MARK

0 - NONE  
 1 - SS SEMS NUTS - BULKED  
 2 - SS SEMS NUTS - INSTALLED

025 - 25 AMPS  
 030 - 30 AMPS  
 035 - 35 AMPS  
 040 - 40 AMPS  
 050 - 50 AMPS  
 060 - 60 AMPS  
 070 - 70 AMPS  
 080 - 80 AMPS  
 090 - 90 AMPS  
 100 - 100 AMPS  
 110 - 110 AMPS  
 120 - 120 AMPS  
 135 - 135 AMPS  
 150 - 150 AMPS  
 175 - 175 AMPS  
 200 - 200 AMPS

STANDARD TERMINATION W/1/4-28 STUDS

SURFACE MOUNT



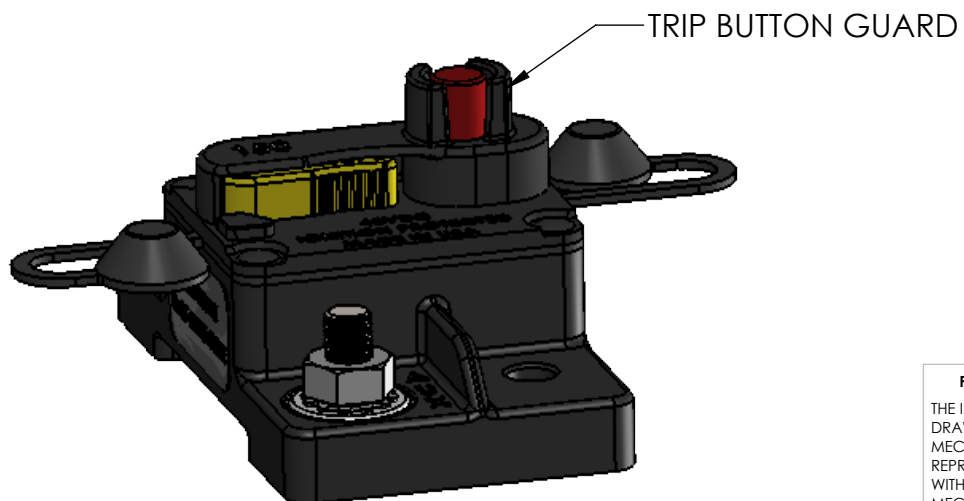
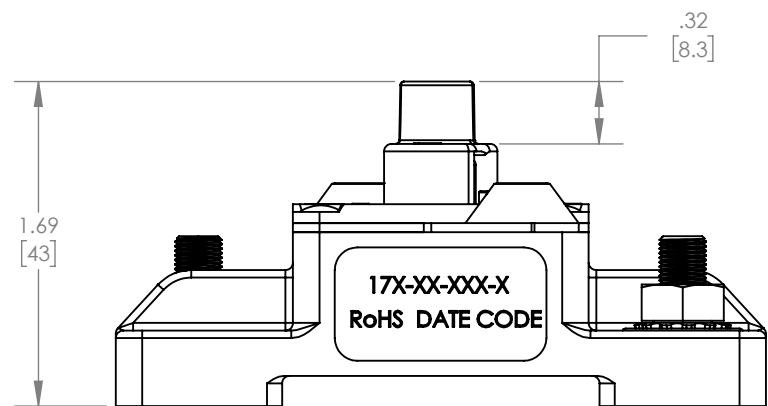
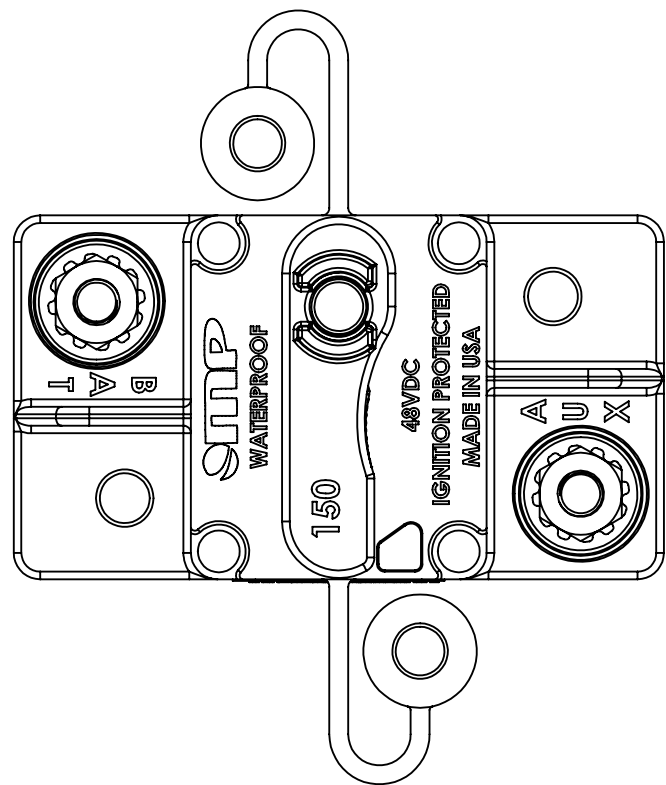
- NOTES:**
- DIMENSIONS SHOWN ON 171 ALSO APPLICABLE TO 174, 175, 176 & 177.
  - DIMENSIONS SHOWN ON 174 ALSO APPLICABLE TO 175, 176 & 177

**PROPRIETARY AND CONFIDENTIAL**

THE INFORMATION CONTAINED IN THIS DRAWING IS THE SOLE PROPERTY OF MECHANICAL PRODUCTS, CO. ANY REPRODUCTION IN PART OR AS A WHOLE WITHOUT THE WRITTEN PERMISSION OF MECHANICAL PRODUCTS, CO. IS PROHIBITED.

UNLESS OTHERWISE SPECIFIED:		NAME	DATE	Mechanical Products, Co. 1112 Garfield Street Lombard, IL 60148		
DIMENSIONS ARE IN MM/INCHES		DRAWN	CTH		<b>TITLE:</b> 17X SERIES SURFACE MOUNT STANDARD 1/4" TERM. CIRCUIT BREAKER	
TOLERANCES:		CHECKED				
METRIC: .X ±.51 .XX ±.13		ENG APPR.	JCA			7-10-14
ENGLISH: .XX ±.02 .XXX ±.005		MFG APPR.				
ANGLES: ±1°		Q.A.				
FRACTIONAL: ±		COMMENTS:				
INTERPRET GEOMETRIC TOLERANCING PER:						
MATERIAL						
FINISH						
NEXT ASSY	USED ON			<b>SIZE</b> DWG. NO. <b>REV</b> <b>B</b> 170-800-S0 <b>K</b>		
APPLICATION		DO NOT SCALE DRAWING		SCALE: 1:2 WEIGHT: SHEET 1 OF 2		

# 177-S0





**PROPRIETARY AND CONFIDENTIAL**  
 THE INFORMATION CONTAINED IN THIS DRAWING IS THE SOLE PROPERTY OF MECHANICAL PRODUCTS, CO. ANY REPRODUCTION IN PART OR AS A WHOLE WITHOUT THE WRITTEN PERMISSION OF MECHANICAL PRODUCTS, CO. IS PROHIBITED.

REVISIONS				
LTR	DESCRIPTION	ECR	DATE	APPROVED
	SEE SHEET 1			

### SPECIFICATIONS:

- MATERIALS:**
  - A. CASE MATERIAL: BLACK, UL94 V-0 RATED THERMOPLASTIC
  - B. TERMINATION STUDS: STAINLESS STEEL
- CURRENT RATING: 25A TO 200A**
- VOLTAGE RATING:**
  - A. 171 (TYPE I): 30VDC MAX
  - B. 174, 175, 176 & 177 (TYPE III) FOR 25A TO 150A: 48VDC MAX
  - C. 174, 175, 176 & 177 (TYPE III) FOR 175A TO 200A: 30VDC MAX
- INTERRUPT RATING:**
  - A. 171 (TYPE I): 3000A @ 30VDC
  - B. 174, 175, 176 & 177 (TYPE III) FOR 25A TO 150A: 1500A @ 48VDC
  - C. 174, 175, 176 & 177 (TYPE III) FOR 175A TO 200A: 1500A @ 30VDC
- OPERATING TEMPERATURE: -40°C TO +85°C**
- MOUNTING TORQUE: 50 IN-LBS [5.6 N.m] MAX**
- TERMINATION TORQUE: 50 IN-LBS [5.6 N.m] MAX**
- INGRESS PROTECTION: IP67**
- IGNITION PROTECTED (SAE J1171)**
- MEETS SAE J1625 & ABYC E-11**
- RoHS COMPLIANT**
- CE MARK TO BE SCALED PER DRAWING 1900-710-1**

		UNLESS OTHERWISE SPECIFIED:		NAME	DATE	 Mechanical Products, Co. 1112 Garfield Street Lombard, IL 60148
		DIMENSIONS ARE IN MM/INCHES		DRAWN	CTH	
		TOLERANCES:		CHECKED		
		METRIC: .X ± .51 .XX ± .13		ENG APPR.		
		ENGLISH: .XX ± .02 .XXX ± .005		MFG APPR.		
		ANGLES: ± 1°		Q.A.		
		FRACTIONAL: ±		COMMENTS:		
		INTERPRET GEOMETRIC TOLERANCING PER:				
		MATERIAL				
		FINISH				
NEXT ASSY	USED ON					
APPLICATION		DO NOT SCALE DRAWING				
		TITLE:		 17X SERIES SURFACE MOUNT STANDARD 1/4" TERM. CIRCUIT BREAKER		
SIZE	DWG. NO.			REV		
<b>B</b>	170-800-S0			<b>K</b>		
SCALE: 1:2		WEIGHT:		SHEET 2 OF 2		