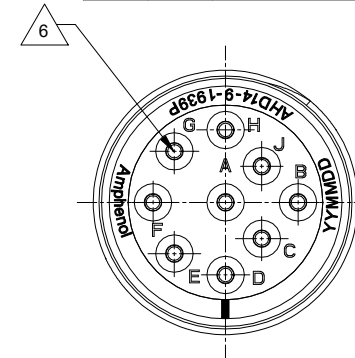
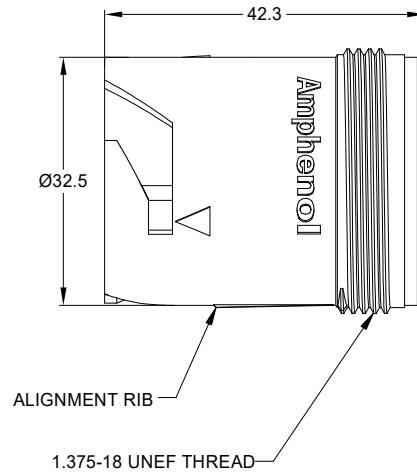
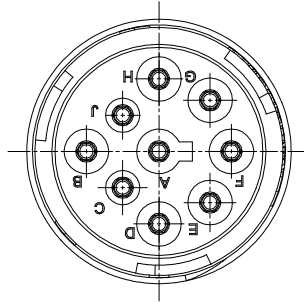


REVISIONS					
REV	ECO	DESCRIPTION	DATE	BY	APPR
A3	--	RELEASE NEW DWG FORMAT	04JAN14	JARRY	TOMMY
A4	--	UPDATE VIEW	01/AUG/23	HARRIS	TOMMY

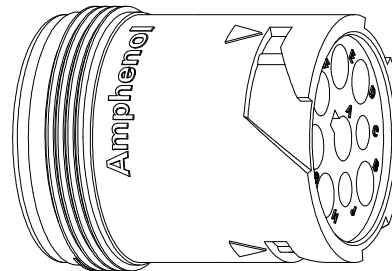


NOTES: UNLESS OTHERWISE SPECIFIED

- MATERIAL:
HOUSING: THERMOPLASTIC; BLACK
SEAL: SILICONE RUBBER
- MODIFICATIONS: IN-LINE THREADED.
J1939 KEY ARRANGEMENT;
- SPECIFICATIONS:
3.1 CURRENT RATING: 13 AMPS
3.2 OPERATING TEMPERATURE: -55°C TO +125°C.
3.3 DIELECTRIC WITHSTANDING VOLTAGE: LESS THAN 2 MILLIAMPS CURRENT LEAKAGE @ 1500 VOLTS AC.
3.4 INSULATION RESISTANCE: 1000 MEGOHM MIN @ 25°C.
3.5 MOISTURE RESISTANCE:
IP68(IM OF WATER FOR A PERIOD OF 24 HOURS,MATED CONDITION);
3.6 MATING CYCLE DURABILITY: 100 CYCLES
3.7 RoHS COMPLIANT
- MATING PART: AHD17-9-1939S*
(* = AVAILABLE MODIFICATIONS)
- ALL DIMENSIONS ARE FOR REFERENCE USE ONLY.

6 CONTACT SIZE AND WIRE RANGE:

CONTACT SIZE	MIN. INSUL O.D.	MAX. INSUL O.D.	WIRE RANGE
16	2.54mm (.100 in)	3.81 mm (.150 in)	14 - 20 AWG (2.0-0.5mm ²)



AHD14-9-1939P		REF: HD14-9-1939P		DESCRIPTION		ITEM
PART NUMBER		DESCRIPTION		MATERIALS LIST		
QUANTITY		SIGNATURES		DATE		
UNLESS OTHERWISE SPECIFIED		DRAWN: HARRIS		01/AUG/23		
1) All dimensions are in metric(mm).		CHECKED: ORION		02/AUG/23		
2) Tolerances are as follows:		ENGINEER:		APPROVAL: TOMMY		
1 PL DEC ±0.30		APPROVAL:		04/AUG/23		
2 PL DEC ±0.15		CUSTOMER:		CUSTOMER:		
3 PL DEC ±0.08		CUSTOMER:		CUSTOMER:		
3) Note reference =		CUSTOMER:		CUSTOMER:		
MATERIAL SPECIFICATIONS:		CUSTOMER:		CUSTOMER:		
WEIGHT: 37.8g		CUSTOMER:		CUSTOMER:		
PROCESS SPECIFICATIONS:		CUSTOMER:		CUSTOMER:		
NEXT ASSY:		CUSTOMER:		CUSTOMER:		
THIS DRAWING IS SUPPLIED FOR INFORMATION ONLY. DESIGN FEATURES, SPECIFICATIONS AND PERFORMANCE DATA SHOWN HEREON ARE THE PROPERTY OF THE AMPHENOL CORPORATION. NO RIGHTS OF REPRODUCTION ARE IMPLIED. ALL DIMENSIONS ARE SUBJECT TO NORMAL MANUFACTURING VARIATIONS.		CUSTOMER:		CUSTOMER:		
SCALE: NONE		CUSTOMER:		CUSTOMER:		
SHEET 1 OF 1		CUSTOMER:		CUSTOMER:		

TITLE: RECEPT, 9 POSITION,AHD, J1939, IN-LINE THREADED REAR
DWG NO.: AHD14-9-1939P
REV: A4
SH: 1
OF: 1

Amphenol

Sine Systems - www.amphenol-sine.com
44724 Morley Drive
Clinton Township, MI 48036

RECEPTACLE, 9 POSITION,AHD SERIES
J1939, IN-LINE THREADED REAR

SIZE: B C-
DWG NO.: AHD14-9-1939P
REVISION: A4