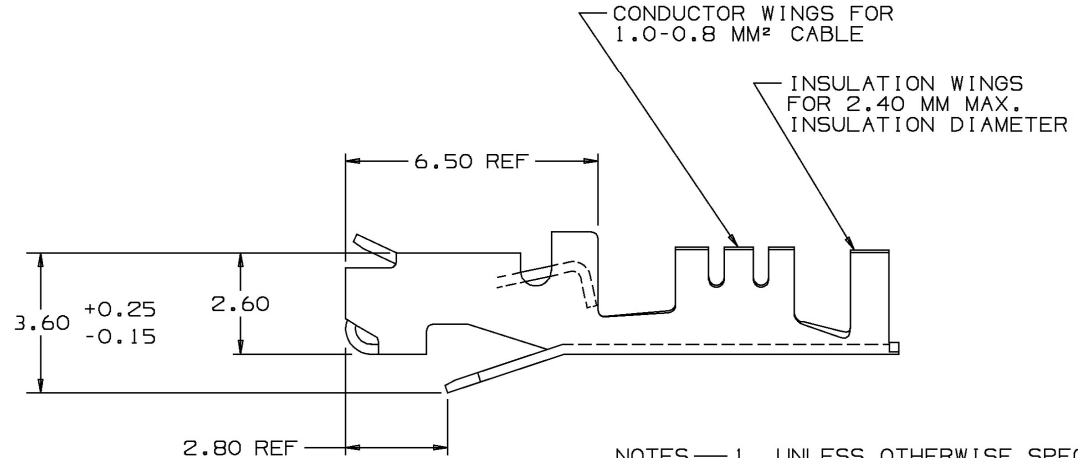
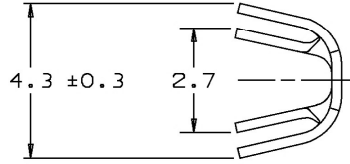
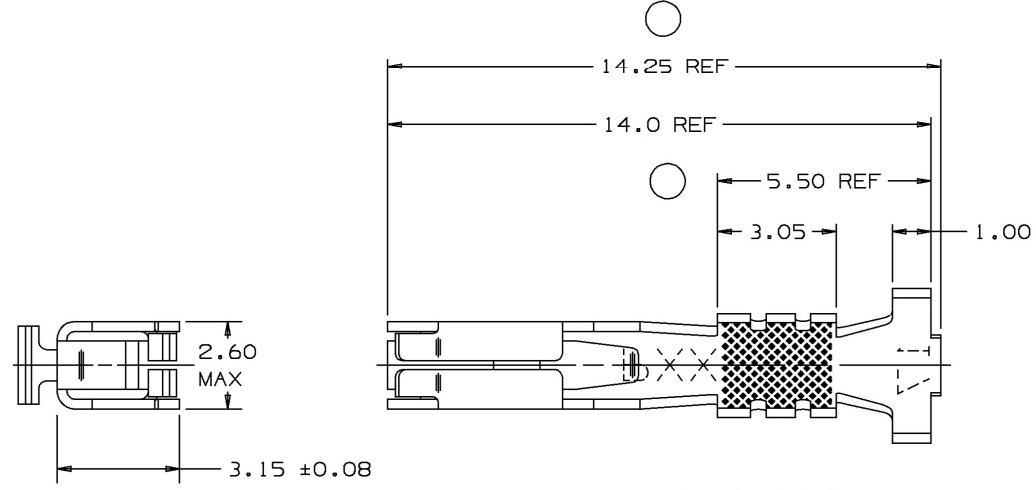
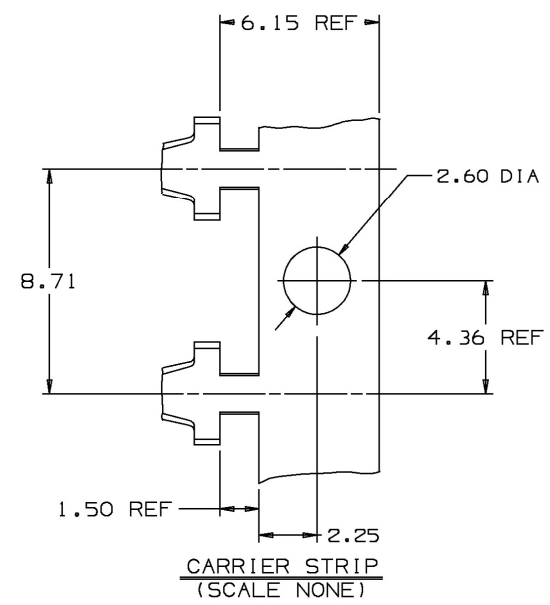


THIS DRAWING AND DESIGN HEREON CONSTITUTES A PROPRIETARY DESIGN OF PACKARD ELECTRIC DIVISION AND IS NOT TO BE DUPLICATED OR REPRODUCED WITHOUT AUTHORITY OF PACKARD ELECTRIC DIVISION
DO NOT SCALE

PART NO
1210 3881



- NOTES**
- UNLESS OTHERWISE SPECIFIED AND/OR INDICATED: DIMENSIONS ARE TO FACE OF VIEW SHOWN AND AUTOMATICALLY ROUNDED BY COMPUTER FOR INSPECTION. (SEE MATH MODEL FOR PRECISE DIMENSION)
 - DIMENSIONS MARKED "REF" ARE FOR REFERENCE ONLY AND NO TOLERANCE LIMITS ARE ESTABLISHED.
 - ENGAGE : 3-10N
DISENGAGE : 1.5-8N
 - REFERENCE PACKARD GAGE # G-8261

DATE	SYM	REVISION RECORD	AUTH
24SE92		REDRAWN AND UPDATED TO LATEST STANDARDS	
		REV LEVEL REMAINS AT "A"	920007
24FE93		REDRAWN TO "C" SIZE	
		REV LEVEL REMAINS AT "A"	154464
05AU94		ADDED 4.3+0.3 DIM- NO REV UPDATE	161276
09N094		DRAWING REVISED PER CUSTOMER REQUEST	
		REV LEVEL REMAINS AT "A"	164566
25MR96	B	REVISED	171061
21JN96		REVISED - REV LEVEL REMAINS AT "B"	173815

PART NO
1210 3881

Utigraphis II METRIC
DIMENSIONS ARE IN MILLIMETERS UNLESS OTHERWISE SPECIFIED

THIRD ANGLE PROJECTION

CODE NO: 6900 GC
6901

DWG DATE: 22MY91 DR: HENRY HOKE

SCALE: NONE CK: DAVID BECK

REFERENCE NO: SHT #1
12020717 "A0" SIZE APPR: VOL CM³

MATERIAL SPEC: 0.254 THK SILICON BRONZE - TIN P

NAME: TERM F M/P 150 SER P25

PART NUMBER: 1210 3881
OUTLINE DRAWING