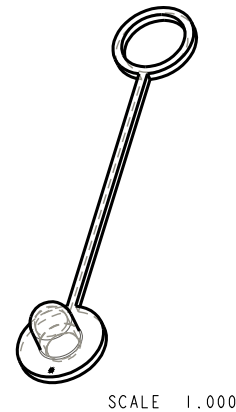
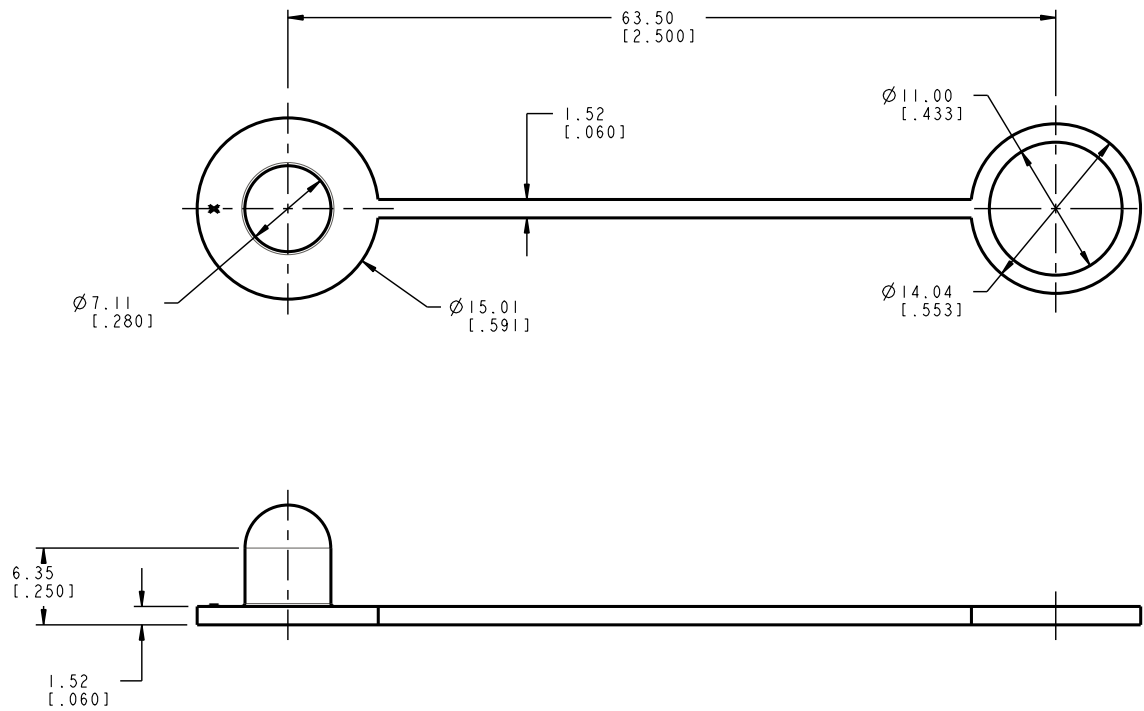


CONFIDENTIAL -
 The information contained in this document is the property of Cooper Industries, Inc. It is not for public disclosure. Possession of the information does not convey any right to loan, sell, or disclose the information. Unauthorized reproduction or use of the information is prohibited. This document is to be returned to Cooper Industries, Inc. upon completion of the purpose for which it is loaned or upon request.

COPYRIGHT - Cooper Industries, Inc.
 This is an unpublished work. The disclosure of this work is limited to a select personnel. Further dissemination or disclosure to the public is PROHIBITED. This unpublished work is protected by Federal Copyright Law and all rights thereunder are reserved by Cooper Industries, Inc.

REV#	DESCRIPTION	DATE	APPR
X0	RELEASED TO SALES.	09-01 2005	



NOTE:
 1. MATERIAL: SILICONE
 COLOR: RED
 2. ALL DIMENSIONS SHOWN FOR REFERENCE ONLY.

COOPER Bussmann
 St. Louis, MO

TOLERANCES UNLESS OTHERWISE SPECIFIED	
METRIC (mm)	ENGLISH (in)
1 PL DEC: $\pm .25$	2 PL DEC: $\pm .01$
2 PL DEC: $\pm .13$	3 PL DEC: $\pm .005$

THIRD ANGLE PROJECTION
ANGULAR TOL: $\pm 2^\circ$
FRACTION TOL: $\pm 1/64$ IN

Plant Code: U,J
 Design Units
 Metric (English)

For change history please consult the Bussmann Engineering Change Notice number listed below.
 J05142

Title: INPUT STUD CAP
 Sheet 1 of 1 Scale: 2.000
 Revision: Version xxx

Date: 12-Oct-04
 Part Number:

Created By: R. E. Kriss

B066-7008-SALES

Ref. Name: B066-7008-SALES