

POLLAK

SWITCHING PRODUCTS DIVISION
300 DAN ROAD, CANTON MA, 02021

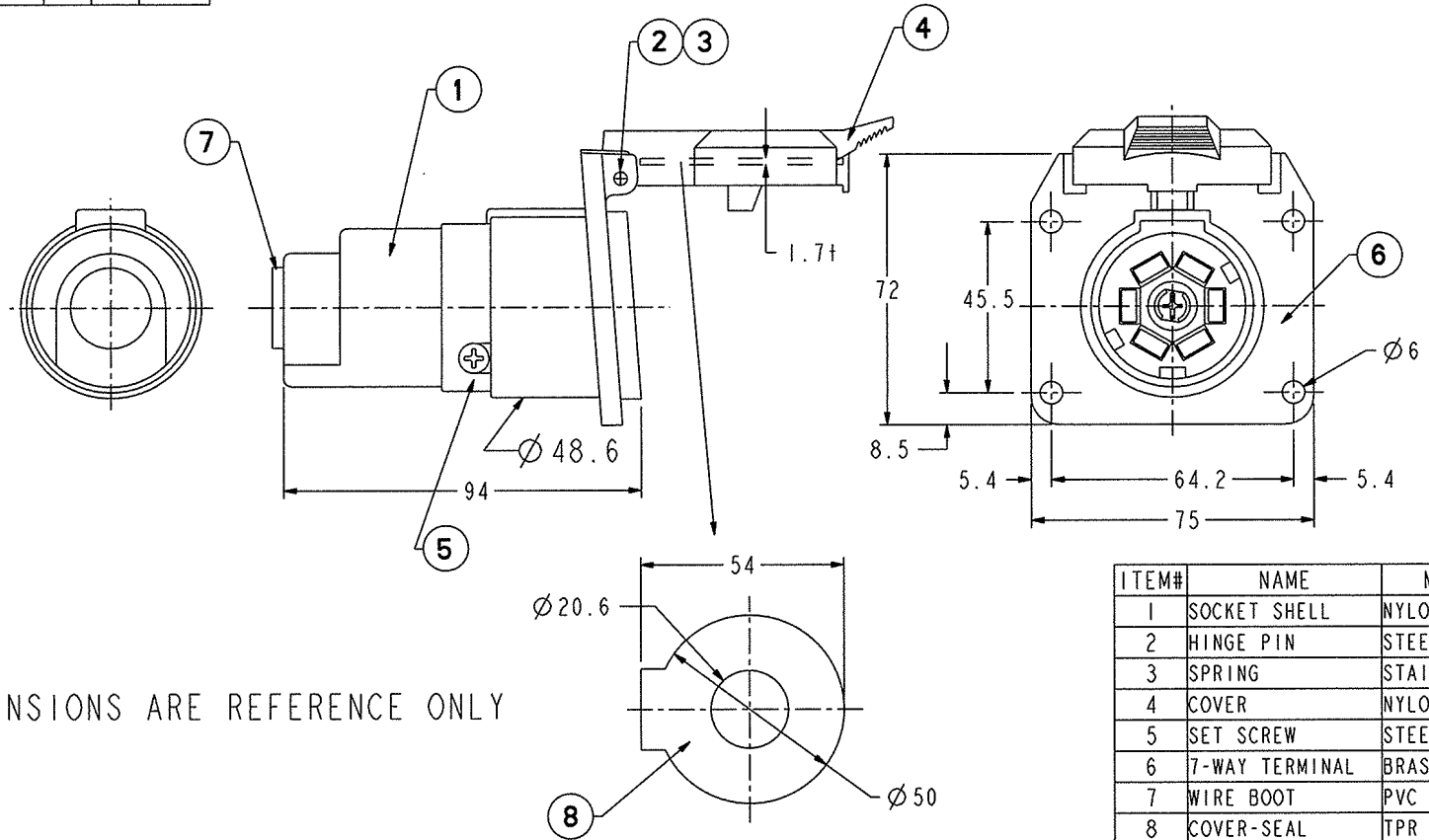
DRAWING NUMBER

12-707E

REV

B

ECH	REVISIONS - AUTHORIZED - CHANGED - DATE			
K0714	A	RELEASE TO PRODUCTION	TT	2/25/10
K1525	A	REDRAW TO DEPICT UPDATED SEAL	TK	RD 9/10/14



ALL DIMENSIONS ARE REFERENCE ONLY

ITEM#	NAME	MATERIAL
1	SOCKET SHELL	NYLON
2	HINGE PIN	STEEL
3	SPRING	STAINLESS STEEL
4	COVER	NYLON
5	SET SCREW	STEEL
6	7-WAY TERMINAL	BRASS
7	WIRE BOOT	PVC
8	COVER-SEAL	TPR

NOTE: PARTS AND COMPONENTS MUST COMPLY WITH POLLAK SOA POLICY

WHERE USED



XX : ±
XXX : ±
XXXX : ±
ANGLE : ±

MATERIAL

FINISH

DESIGNED BY

FILE NAME

DRAWING TITLE

DRAWN BY

TT

12-707E_7-WAY-SOCKET

7-WAY SOCKET

CHECKED BY

APPROVED BY

SCALE

DRAWING SCALE

DRAWING NO.

12-707E

DATE

25-Feb-10

ANSI
SIZE
B

REV

B