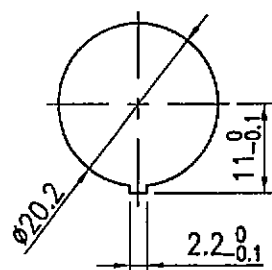
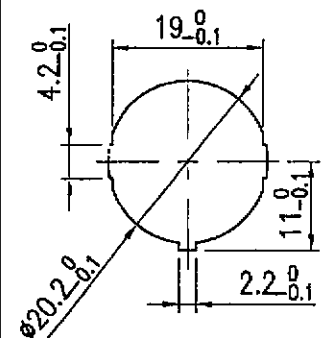


Rating	16A 125VAC 10A 250VAC	CULUS	Mounting Hole
	10(4)A 250V~	10 25T85	
	10A 125VAC 6A 250VAC	CQC	
Contact Resistance	50m ohm Max.		
Insulation Resistance	DC 500V 100M ohm Min.		
Dielectric Strength	AC 1500V 1 minute		
Operation Temperature	-25°C~85°C		
Switch Function	2P SPST ON-OFF		

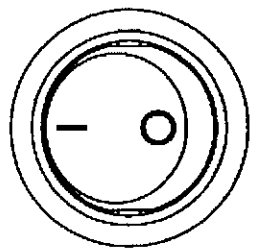


Thickness:2.0~3.0

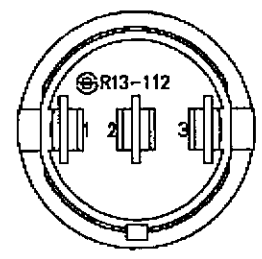
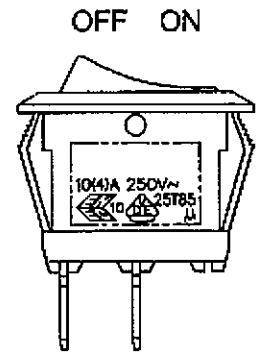
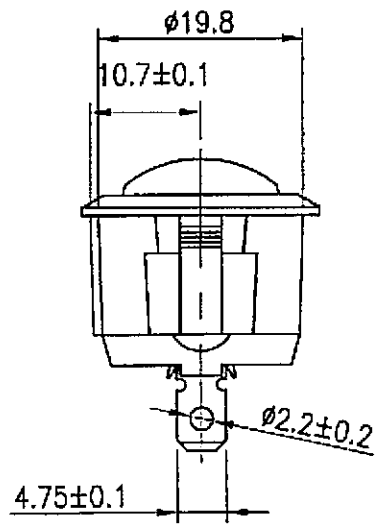
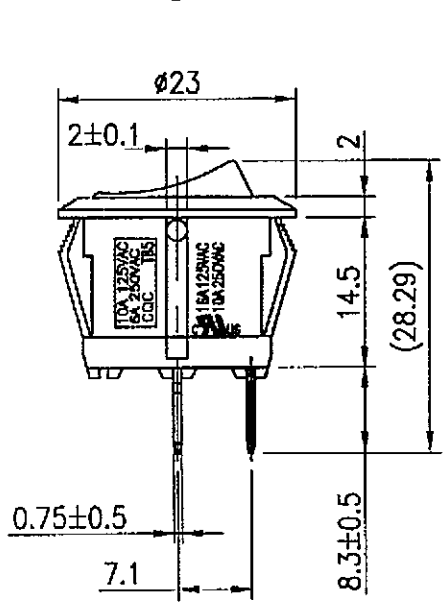


Thickness:0.7~3.0

Circuit Diagram



Material :  
Frame : Black; Nylon 66 (94-V2)  
Actuator : Black; Nylon 66 (94-V2)  
Hot stamping : White; 0 -



1 · Tolerances Unless Otherwise Specified ±0.3

01/18/11	Zhong	刻字内容更新							△
09/24/09	曹盈芳	更正Rating原10A 125V AC→16A 125V AC							△
Date	Name	Description						No.	
Drawn	Checked	Approved	SCI BOM No.	1820861	Model Name	ROCKER SWITCH			
Zhong	杨集江	王加华	Customer No.		Model No.	R13-112A-02		Rev.	2
01/18/11	1/20-11	1/20-11	Unit	mm	Shin Chin Industrial Co., Ltd.				