

# J1939 Bus Splitter

This CAN bus splitter provides a cost effective and space efficient way of connecting multiple devices to the J1939 CAN bus. This module reduces cost by eliminating Y adapters and extra harnesses typically used to provide additional connections to the bus.

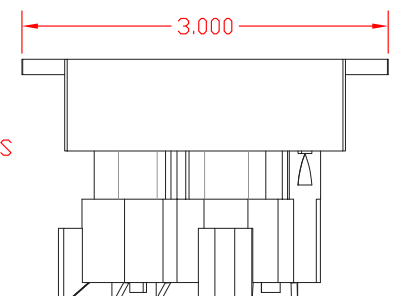
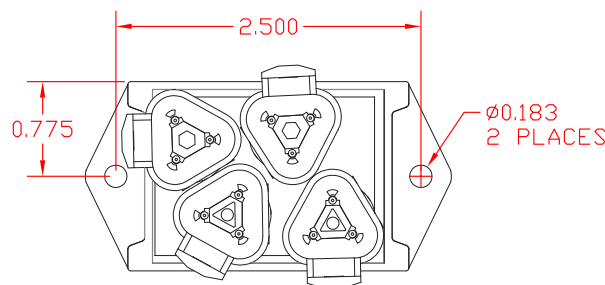
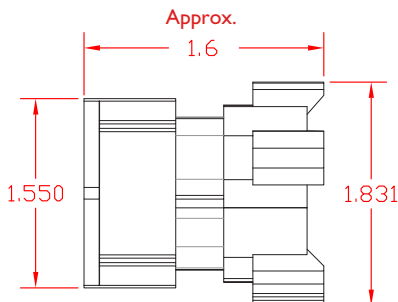
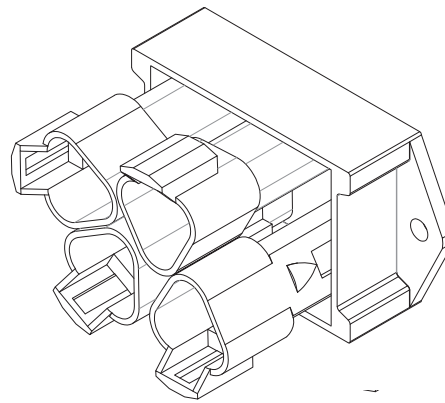


**99-0140**

## PRODUCT FEATURES

- Reduces bus harnessing
- Reduces actual and production costs
- Reduces bus connections increasing quality & durability
- Eases troubleshooting of harnesses
- Potted for a true IP67 rating
- Operating & storage temp rating  
-45°C to +85°C
- 4 x DT04-3P Deutsch Connectors  
12 x Gold Plated Pins  
2 x W3P-J1939 Blue Wedge Locks  
2 x W3P Green Wedge Locks
- Rugged ABS Housing Enclosure

99-0140	DT04-3P	DT04-3P	DT04-3P	DT04-3P
	J1	J2	J3	J4
CAN HI	A	A	A	A
CAN LO	B	B	B	B
GRD	C	C	C	C



**TROMBETTA**  
DC Power Solutions for a Harsh World