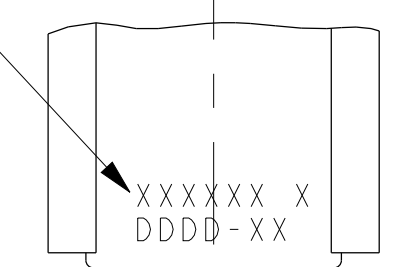
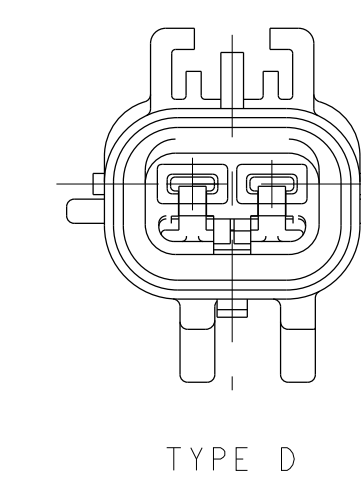
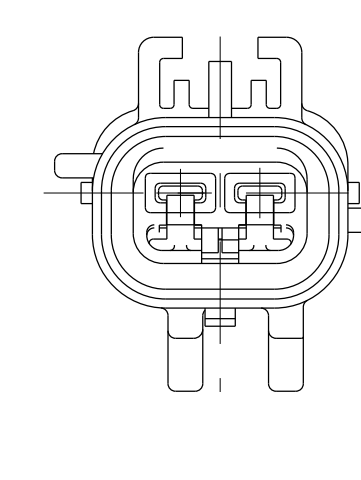
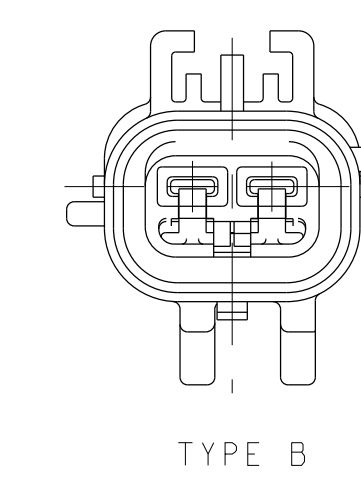
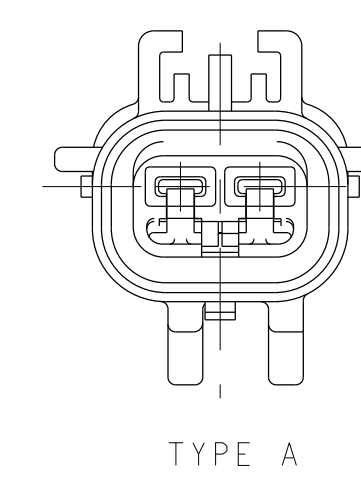
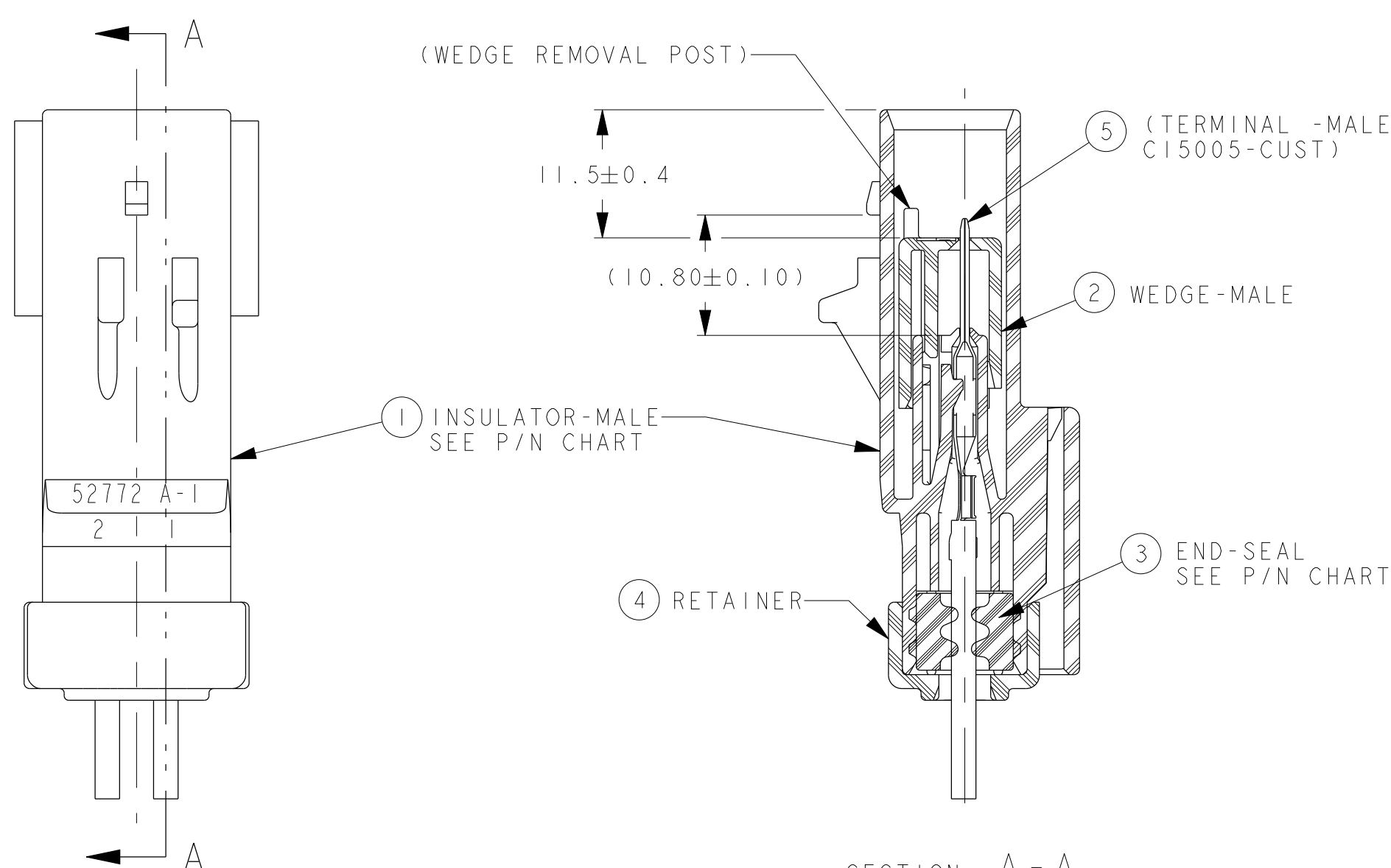
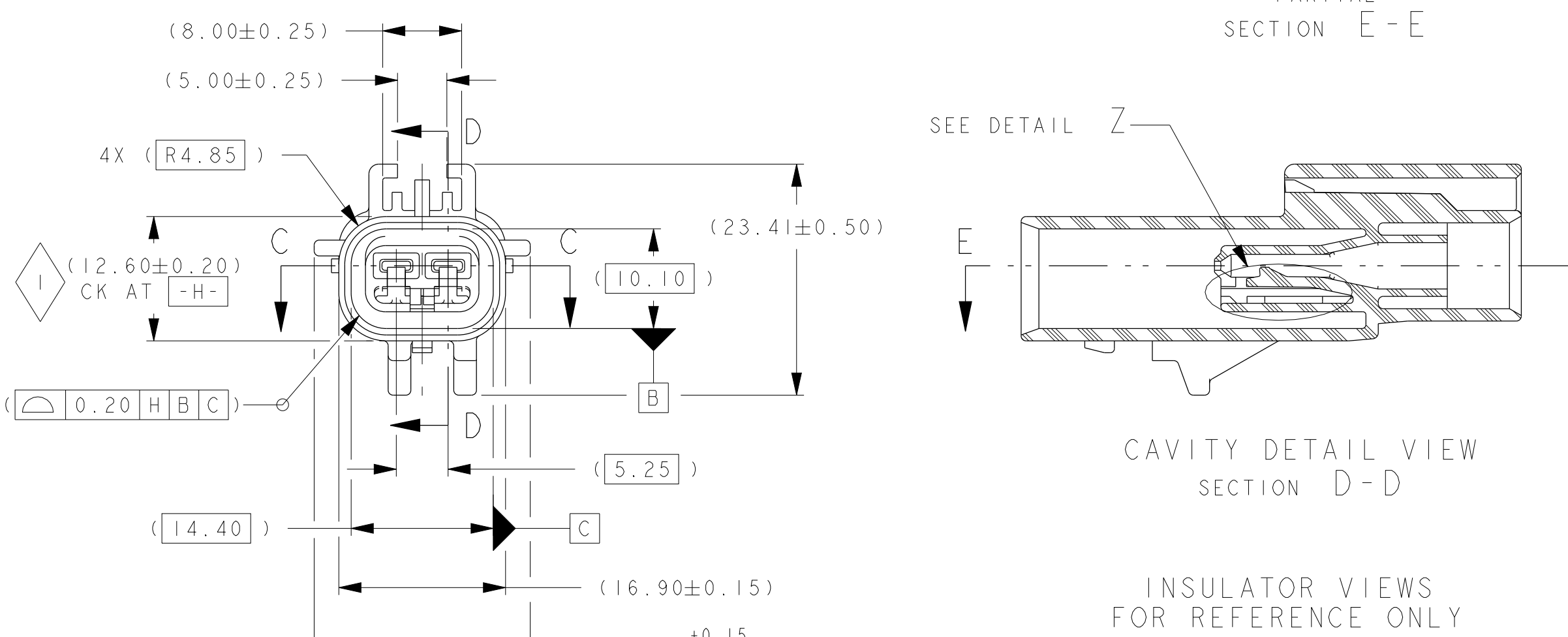
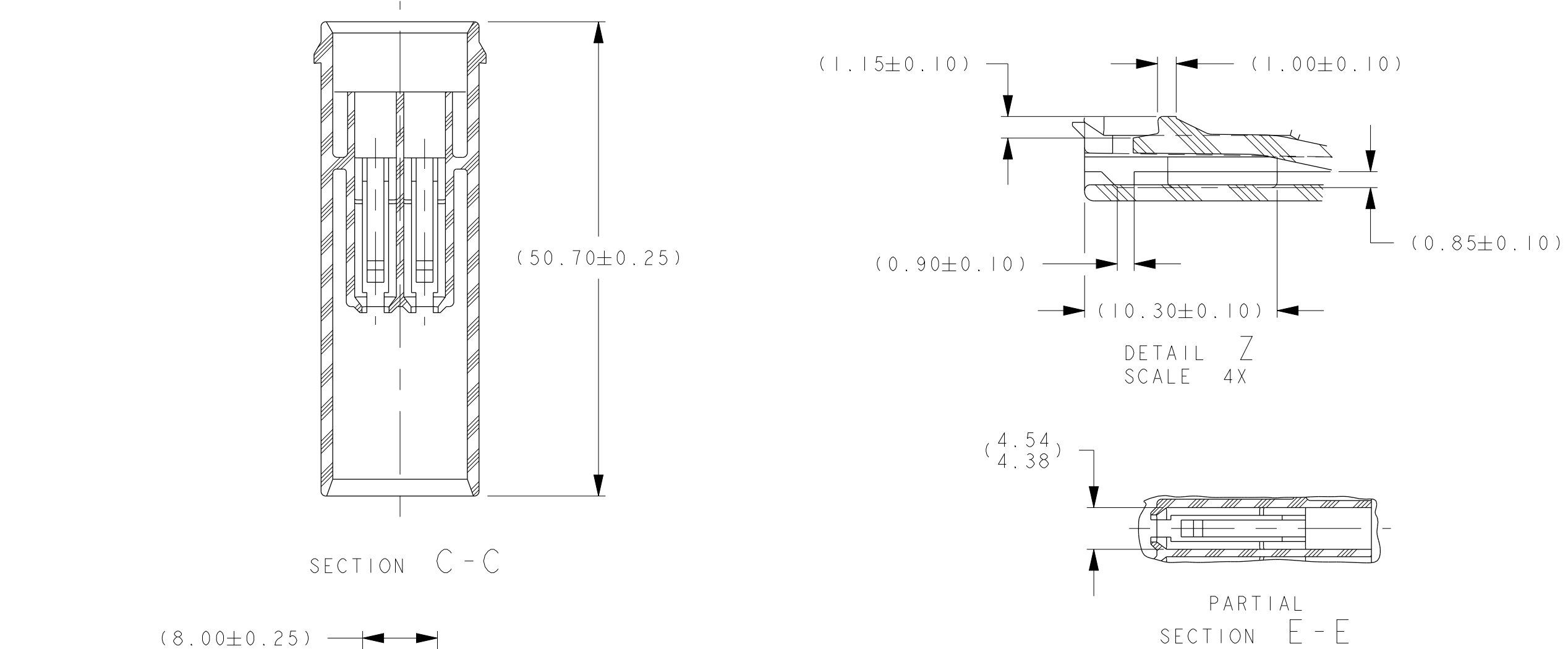
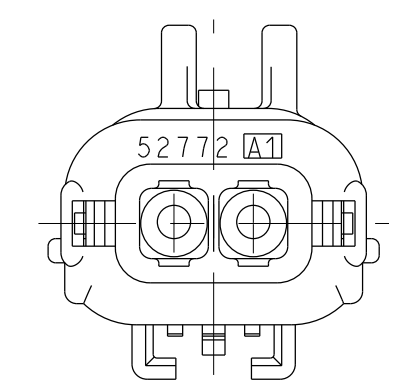
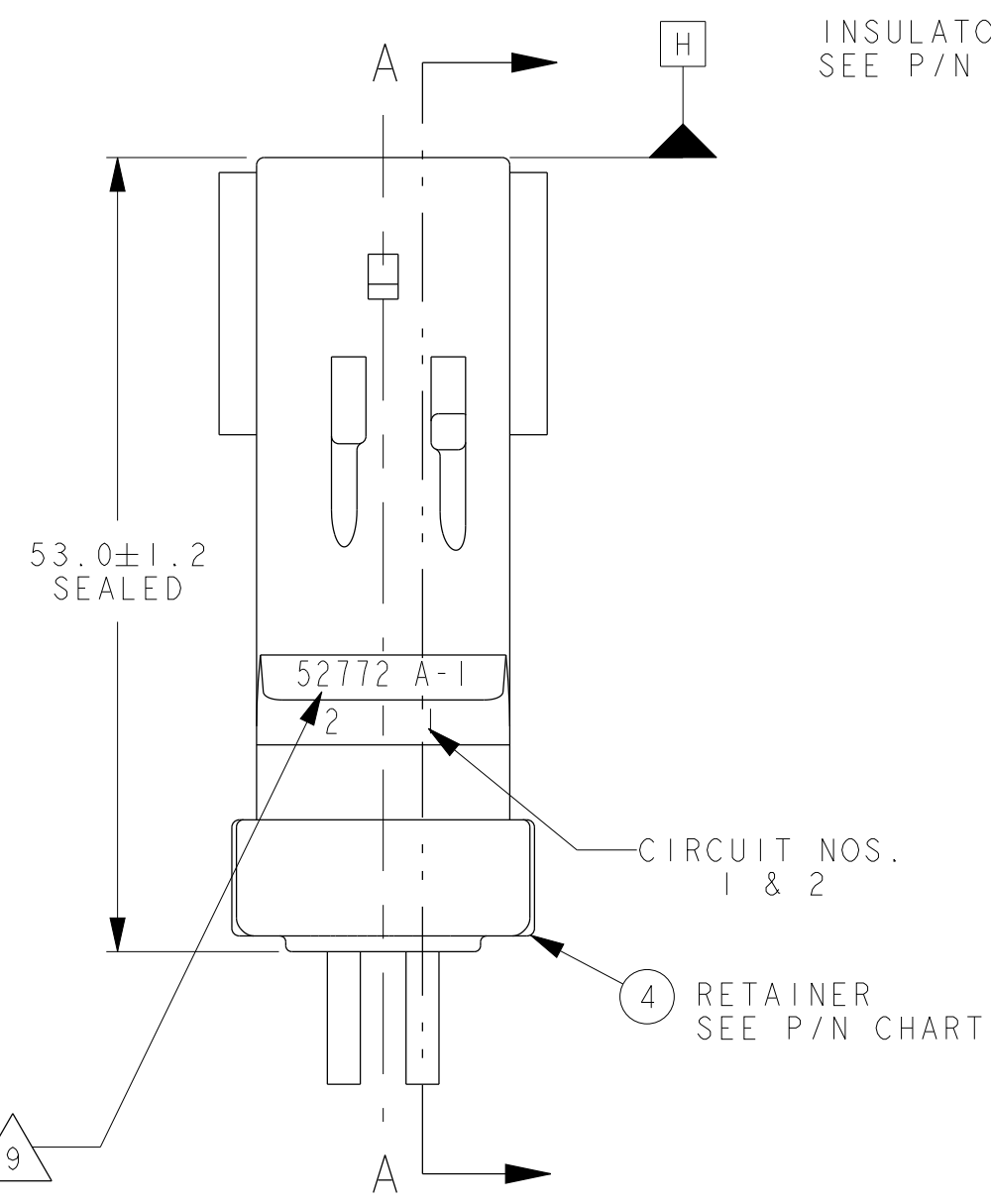
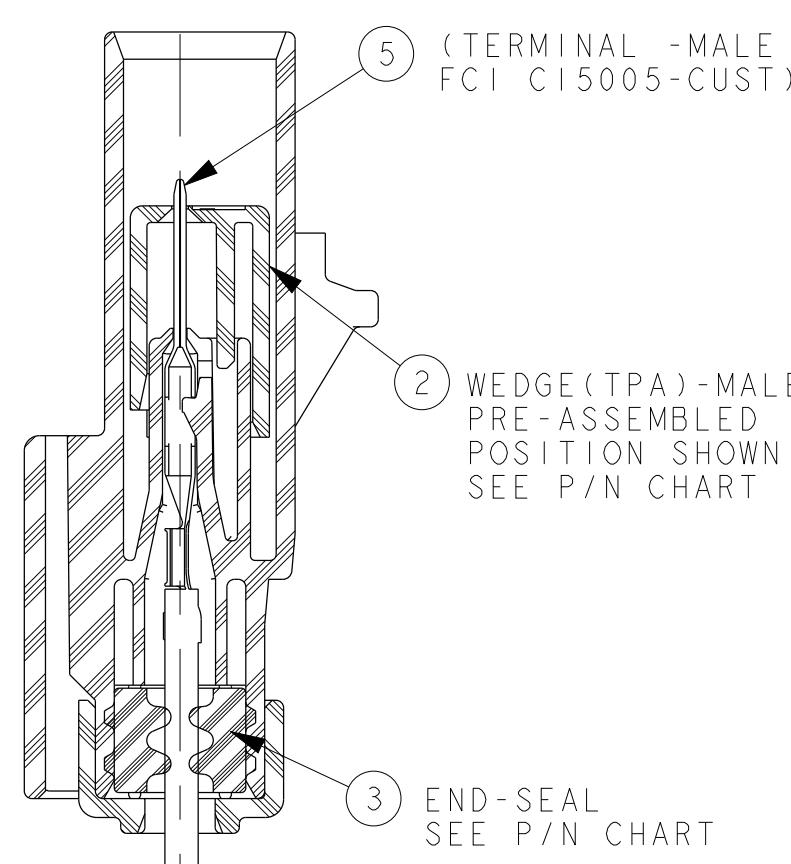
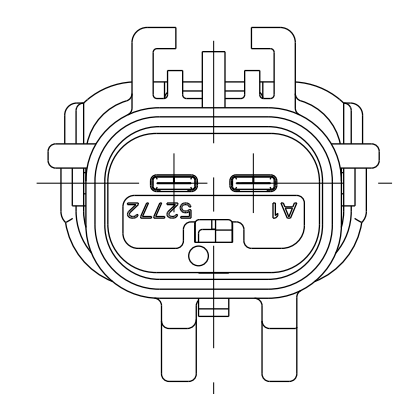


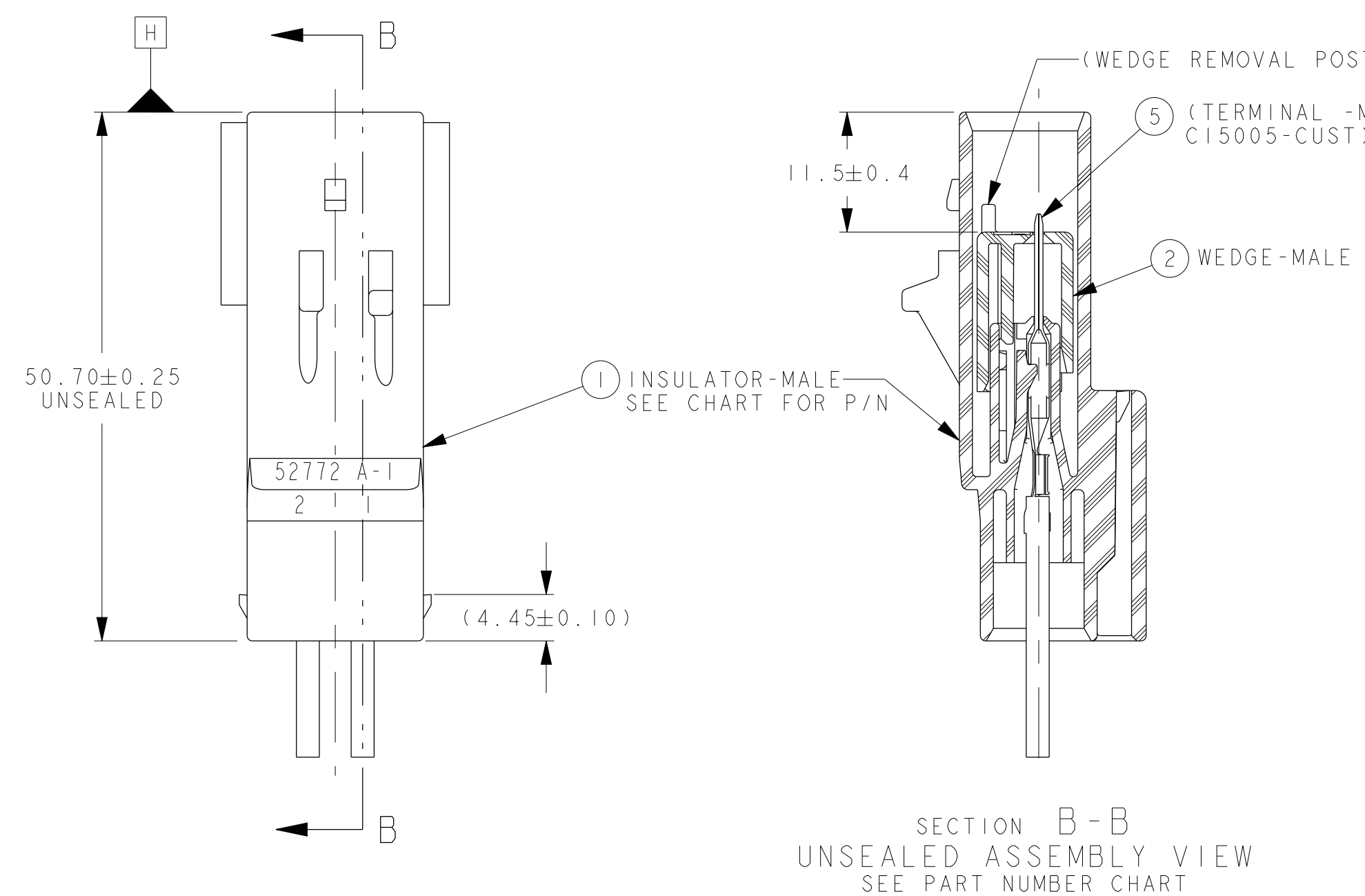
LAST 5 DIGITS OF 8 DIGIT P/N & PART CHANGE LEVEL (PCL) OR  
 LAST 6 DIGITS OF 9 OR 10 DIGIT P/N & PART CHANGE LEVEL (PCL)  
 MFG. DAILY DATE CODE & ASSY MACHINE NO. LETTERING MUST BE LEGIBLE



PARTIAL SIDE VIEW



POLARIZATION OPTIONS FULL SIZE



MATING PART NUMBERS CHART FOR REFERENCE

INDEX TYPE	COLOR	SEALED/UNSEALED	FCI	CUSTOMER	YNA	FCI	CUSTOMER	YNA
D	NATURAL	UNSEALED	55200209	DIRECT CONNECT APPLICATION	N/A	54200203N	N/A	N/A
		UNSEALED	55200209	DIRECT CONNECT APPLICATION	N/A	54200203	C 04687920	7283-5373
G	TAN	SEALED	F380510	N/A	N/A	F970510	N/A	N/A
		SEALED	54200276	DIRECT CONNECT APPLICATION	N/A	54200262	N/A	N/A
F	NATURAL	SEALED	55200205	DIRECT CONNECT APPLICATION	N/A	54200209N	N/A	N/A
		SEALED	55200205	DIRECT CONNECT APPLICATION	N/A	54200209	C 04687916	7283-5375
C	DK GREY	UNSEALED	55200208	DIRECT CONNECT APPLICATION	N/A	54200202N	N/A	N/A
		UNSEALED	55200208	DIRECT CONNECT APPLICATION	N/A	54200202	C 04687919	7283-5372-10
E	DK BROWN	SEALED	F280510	N/A	N/A	F870510	N/A	N/A
		SEALED	54200275	DIRECT CONNECT APPLICATION	N/A	54200261	N/A	N/A
B	DK GREY	SEALED	55200204	DIRECT CONNECT APPLICATION	N/A	54200208N	N/A	N/A
		SEALED	55200204	DIRECT CONNECT APPLICATION	N/A	54200208	C 04687914	7283-5374-10
A	LT GREY	UNSEALED	54200205	N/A	N/A	54200201N	N/A	N/A
		UNSEALED	54200205	C 04687924	N/A	54200201	C 04687918	7283-5371-40
D	DK BLUE	SEALED	F180510	N/A	N/A	F770510	N/A	N/A
		SEALED	54200274	N/A	N/A	54200260	N/A	N/A
C	LT GREY	SEALED	54200211	N/A	N/A	54200207N	N/A	N/A
		SEALED	54200211	C 04687922	N/A	54200207	C 04687913	7283-5359-40
A	LT GRN	UNSEALED	DIRECT CONNECT APPLICATION		54200251	C 04868293AA	N/A	N/A
		SEALED	54200233	N/A	N/A	54200212N	N/A	N/A
B	DK GRN	SEALED	54200233	C 04868173AA	N/A	54200212	C 04688917	7283-5367-60
		SEALED	54200204	N/A	N/A	54200200N	N/A	N/A
C	BLACK	UNSEALED	54200204	C 04687923	7282-5292-30	54200200	C 04688917	7283-5358-30
		SEALED	54200210	C 04687921	7282-5292-30	54200206	C 04687912	7283-5292-30
A	DK GRN	SEALED	54200215	N/A	N/A	54200213N	N/A	N/A
		SEALED	54200215	C 04793833	N/A	54200213	C 04793832	N/A
B	DK GRN	SEALED	F080510	N/A	N/A	F670510	N/A	N/A
		SEALED	54200273	N/A	N/A	55200200	N/A	7283-8377-60
C	DK GRN	SEALED	54200273	N/A	N/A	55200200N	N/A	N/A
		SEALED	54200273	N/A	N/A	55200200N	N/A	N/A

CHART - ASSEMBLY PART NUMBERS

FCI P/N'S	CUSTOMER P/N'S
54200204	C 04687923
54200205	C 04687924
55200208	N/A
54200210	C 04687921
54200211	C 04687922
54200215	C 04793833
54200233	C 04868173AA
55200204	N/A
55200205	N/A

TEMPERATURE CLASS 3

REQUIRED	REQUIRED	FCI NO.	(CHRYSLER)	COLOR	ITEM	PART NAME (MATERIAL)	INDEX
I	I	54200224	04687792	BLACK	1	INSULATOR PA66GF	A
I	I	54200232	N/A	LT GREEN	1	INSULATOR PA66GF	A
I	I	54200226	04687937	LT GREY	1	INSULATOR PA66GF	B
I	I	55200206	N/A	DK GREY	1	INSULATOR PA66GF	C
I	I	55200207	N/A	NATURAL	1	INSULATOR PA66GF	D
I	I	54200235	04687978	RED	2	WEDGE (TPA) PA66GF	D
I	I	54200239	04687942	LT BLUE	3	END SEAL SILICONE	D
I	I	54200241	04687943	BURNT ORANGE	3	END SEAL SILICONE	D
I	I	54200234	04687938	BLACK	4	RETAINER PA66GF	D

CHART - ASSEMBLY PART NUMBERS

FCI P/N'S	CUSTOMER P/N'S
54200273	N/A
54200274	N/A
54200275	N/A
54200276	N/A
F080510	N/A
F280510	N/A
F380510	N/A

TEMPERATURE CLASS 4

REQUIRED	REQUIRED	FCI NO.	COLOR	REQUIRED
I	I	54200267	DK GREEN	I
I	I	54200268	DK BLUE	I
I	I	54200269	DK BROWN	I
I	I	54200270	NATURAL	I
I	I	54200298	TAN	I
I	I	54200240	LT GREEN	I
I	I	F480510	OFF WHITE	I
I	I	54200271	NATURAL	I

CONNECTOR ASSEMBLY TEMPERATURE CLASS PER SAE/JUSCAR-2 REV. 5

PART CHANGE LEVEL (PCL)

CUSTOMER LEGENDS:  
 CHRYSLER: C  
 FORD: F  
 GENERAL MOTORS: GM  
 YAZAKI: Y

- NOTES:
1. QUALITY ASSURANCE REQUIREMENTS PER CHRYSLER PS-7300: 1
  2. ENGINEERING APPROVAL OF SUPPLIER SAMPLES IS REQUIRED PRIOR TO AUTHORIZATION OF PART PRODUCTION
  3. CHANGES IN DESIGN COMPOSITION OR PROCESSING FROM THE PART PREVIOUSLY APPROVED FOR PART PRODUCTION REQUIRES PRIOR ENGINEERING APPROVAL
  4. WIRING FABRICATORS MUST PURCHASE FROM SOURCES SHOWN
  5. ALL THE SEALED CONNECTOR APPLICATIONS MUST BE USED WITH CHRYSLER WIRE SPEC. MS-8288, MS-9502 OR ISO 6722 EQUIVALENTS THIN WALL X-LINK ONLY A- ASSEMBLIES WITH FCI P/N'S 54200239 OR 54200240 END SEALS MUST BE USED WITH 20 TO 14AWG OR ISO EQUIVALENTS WIRES WITH INSULATION Ø1.70 TO Ø2.77 O.D.
  6. B- ASSEMBLIES WITH FCI P/N'S 54200241 OR F480510 END SEALS MUST BE USED WITH 14 TO 10AWG OR ISO EQUIVALENTS WIRES WITH INSULATION Ø2.50 TO Ø4.09 O.D.
  7. ALL NON-SEALED APPLICATIONS MAY BE USED WITH ANY WIRE INSULATION 22 TO 10AWG OR ISO EQUIVALENTS (EXCEPT AS NOTED BELOW) PROVIDED THAT A TERMINAL GRIP FOR THAT CORE/INSULATION IS SHOWN ON C15005-CUST MALE TERMINAL DRAWING
  8. NOTE: MAX. INSULATION CRIMP WIDTH = 4.50  
 MAX. INSULATION CRIMP HEIGHT = 4.50  
 MAX. INSULATION CRIMP DIA. = 4.09 (10 GA THIN WALL)
  9. USE WITH FOLLOWING APPLICABLE COMPONENTS AS NEEDED:  
 CAVITY PLUS FCI P/N 54200005 (CHRYSLER P/N 5638308)  
 DOUBLE X-MAS TREE CLIP FCI P/N 54200010 W/FORWARD STOP  
 DOUBLE X-MAS TREE CLIP CHRYSLER P/N 04707091  
 SINGLE X-MAS TREE CLIP CHRYSLER P/N 04625797  
 2-BOTTOM APEX MALE TERMINAL PER FCI C15005-CUST SYMMETRICAL ABOUT CENTERLINES FOR 180° ORIENTATION
  10. TEST METHOD PER PERFORMANCE SPEC# SAE/JUSCAR-2 REV. 5, CONNECTOR ENGAGE & DISENGAGE WITH FEMALE LATCH DEPRESSED FORCE NOT TO EXCEED 75N FOR THIS SYSTEM

11. WEDGE SEATING FORCES - 100N MAX
12. X-MAS TREE CLIP INSERTION FORCES - 75N MAX
13. FCI SUPPLIER CODE 52772, MOLD & CAVITY I.D. SIGNIFIES TOOL OWNERSHIP, FOR REFERENCE
14. ANNUAL QUALITY REQUIREMENTS:  
 IT IS PERMISSIBLE TO PERFORM CONTINUOUS CONFORMANCE PER FCI SPECIFICATION #QA-A-D01 INSTEAD OF ANNUAL LAYOUT & ANNUAL PV REQUIREMENTS OF QS-9000 SECTION 2 & SAE/JUSCAR-2 REV. 5

15. ALL NON-REFERENCE DIMENSIONS ARE REQUIRED
16. - USE INDEX A, BLACK SEALED AND UNSEALED FOR ALL AFFECTED INSULATOR CAVITIES
17. - CURRENT PRODUCTION TOOLING
18. - POINT OF LAST RUN
19. SERVICE TOOLING GUIDE INFORMATION PER APEX TRAINING MANUAL
20. MUST CONFORM TO THE FOLLOWING CHRYSLER/YNA STANDARDS:  
 SAE/JUSCAR-2 REV. 5  
 PS-7300 QUALITY ASSURANCE (CHRYSLER)  
 PS-9227 DATA EXCHANGE (CHRYSLER), (G009-7 YNA)  
 PS-10052 INFORMATION SECURITY (CHRYSLER)

THIS DRAWING (H59010) REPLACES CHRYSLER DRAWING NUMBER 04687875 LEVEL "K", CHRYSLER DRAWING IS FOR REFERENCE ONLY FOR PREVIOUS CHANGES

P/N'S 54200240 AND F480510 BAKED AT 450°F FOR 5 HOURS TO DRIVE OFF VOLATILES

REV.	DATE	BY	CHKD.	DESCRIPTION
12-01348	F8			APPLICABLE WIRE NOTES REVISED FOR METRIC EQUIVALENT, WIRE APPLICATION FOR 54200241
12-1026	E10 B23			END SEAL CHANGED TO 14 TO 10AWG
12-00884	ALL			CONNECTOR ASSEMBLIES P/N'S F080510 TO F380510 AND END SEAL P/N F480510 ADDED FOR TEMP. CLASS 4 (10/12AWG APPLICATIONS, CORRECTED P/N'S 54200273 TO 54200276 WERE SWITCHED IN ERROR AT REV. N. ASSEMBLY P/N CHARTS UPDATED, NOTES UPDATED AND #13 ADDED
12-00884	ALL			REVISED AND REDRAWN IN PDS SEE REV M3 FOR PREVIOUS CHANGES PCL NOT AFFECTED

REV.	DATE	BY	CHKD.	DESCRIPTION
12-01348	F8			APPLICABLE WIRE NOTES REVISED FOR METRIC EQUIVALENT, WIRE APPLICATION FOR 54200241
12-1026	E10 B23			END SEAL CHANGED TO 14 TO 10AWG
12-00884	ALL			CONNECTOR ASSEMBLIES P/N'S F080510 TO F380510 AND END SEAL P/N F480510 ADDED FOR TEMP. CLASS 4 (10/12AWG APPLICATIONS, CORRECTED P/N'S 54200273 TO 54200276 WERE SWITCHED IN ERROR AT REV. N. ASSEMBLY P/N CHARTS UPDATED, NOTES UPDATED AND #13 ADDED
12-00884	ALL			REVISED AND REDRAWN IN PDS SEE REV M3 FOR PREVIOUS CHANGES PCL NOT AFFECTED