

MIGHTY MINI STROBE

Rugged fiberglass-filled nylon base and polycarbonate lens • Wide voltage operating range • Field-replaceable lens and flash tube • Thread-on lens • 80 flashes per minute; 1.5 joules • Reverse polarity and voltage spike protected

SINGLE FLASH, PERMANENT MOUNT:

77101	White	MULTI
77102	Red	MULTI
77103	Amber	MULTI
77105	Blue	MULTI

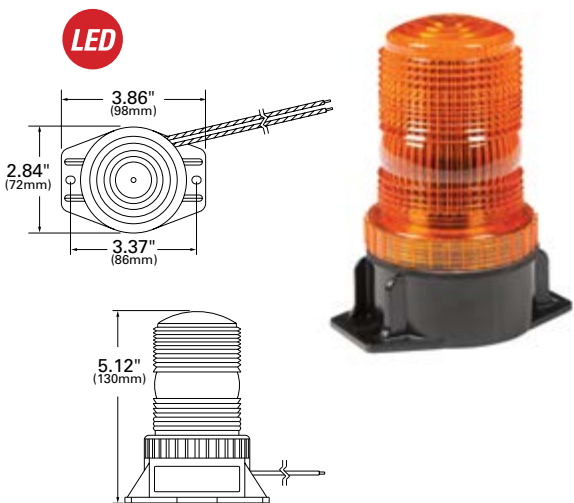
Material: ABS / Polycarbonate

Volts / Amps: 11–80V / .25A at 12V

Accessory: Flash Tube: 92980

Lens: Amber 92033, 92031, 92032, 92035

VMRS Code: 034-001-063



LED MATERIAL HANDLING BEACON, CLASS III

Compact and powerful LED light output • Easy twist-off lens for ease of replacement • Available flash patterns: single, double and quad • Rated life of LED strobes is up to 50 times longer than standard strobes.

78113 LED Amber Material Handling Beacon **MULTI**

Material: Polycarbonate

Standards: SAE J845™ Class III

Volts / Amps: 12–72V / 0.17A at 12V

Lens: 98293

VMRS Code: 034-001-063



MATERIAL HANDLING STROBE

Electronics sealed in epoxy to protect against dust, moisture and vibration

- Thread-on lens for easy maintenance • Field-replaceable flash tube
- 80 flashes per minute (single flash) • 2 joules per flash

77012 Red Material Handling Beacon **MULTI**

77013 Amber Material Handling Beacon **MULTI**

Material: Nylon / Polycarbonate

Volts / Amps: 12–110V / .6A at 12V

Accessory: Flash Tube: 92960

VMRS Code: 034-001-063