

3 White LED 3/4" Courtesy Light with Clear Lens by Maxxima, grommet and 6" leads with bullet connector included. Maxxima's space saving design and superior light output mini-courtesy light is perfect for interior or exterior auxiliary applications, comes with 5 year warranty.



3 LEDs

3 White LEDs with Clear Lens, Grommet included

Auxiliary Use Only - Not for Use as a Clearance Marker or Back-up Light

Polycarbonate Lens and Housing & Sealed Moisture Proof Electronics

Optional Stainless Steel Bezel, Maxxima Part# M50112

5 Year Maxxima Warranty

Function

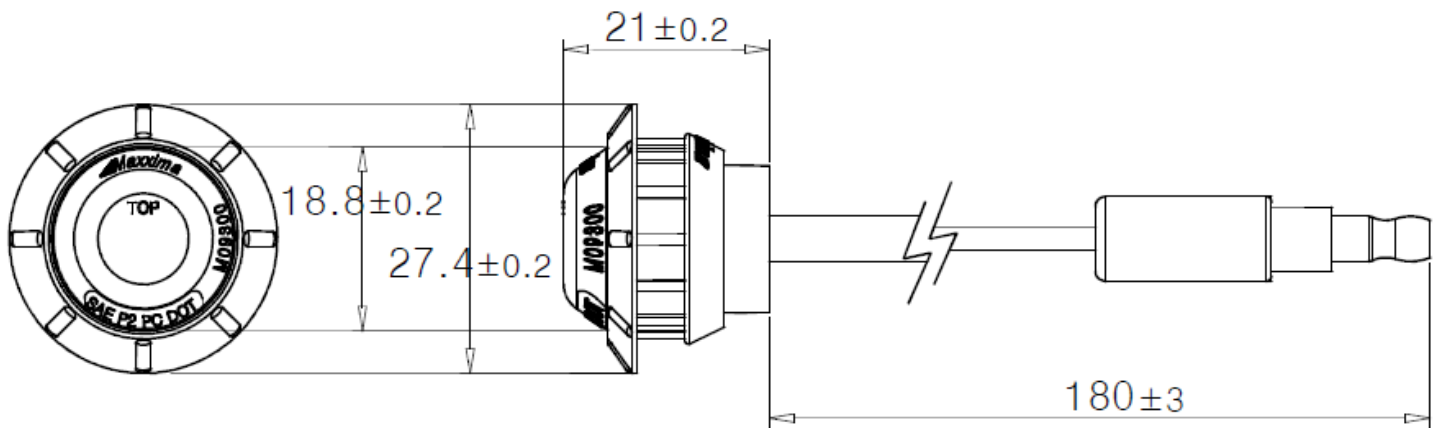
FMVSS 108 Standard..... **N/A**
 DOT/SAE Spec..... **N/A**
 Functions..... **Auxiliary**
 Functions Comments..... **Wires covered by 1/32" thk sleeving**

Legal Heading..... **N/A**
 Origin Product..... **S. Korea**
 Dimensions..... **0.75" dia x 1.0" high. Hole cutout for grommet: 3/4" dia**
Recommended panel thickness: 0.047" - 0.177"

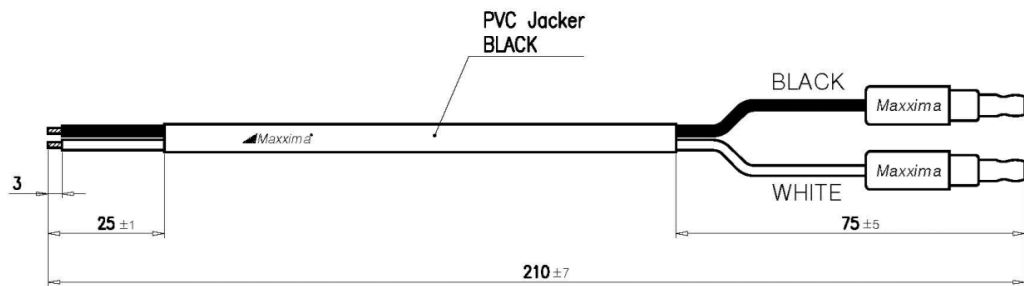
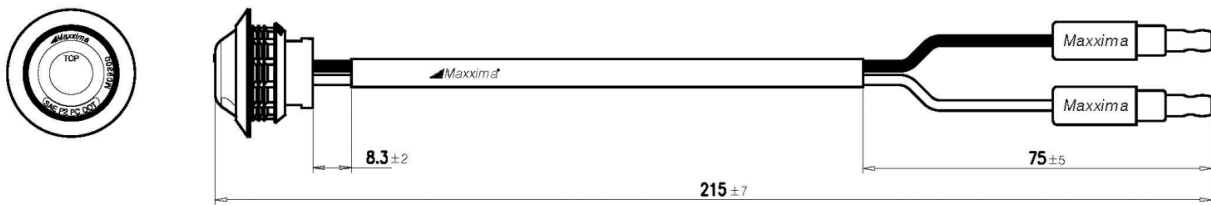
Specification

No.Leds..... 3.0	Termination..... 2 ea,7 " w/ bullet connec
Led Type.....	Connector Supplied..... no
Led Color..... White	Gasket..... No
Color Temp..... N/A	Mounting Screws..... No
Beam Pattern..... N/A	Wire Gauge..... 18 AWG
Voltage (DC)..... 12.8	Wire Color..... Black / white
Amperage Draw..... 20 mA	Individual Pack.....
Polarity Sensitive..... Yes	Master Pack..... 200
Lumens..... 40	Shipping Weight..... 0.1034
Lens Material..... Polycarbonate *	Warning Label.....
Maxxshield Coat..... No	Proprietary Tag.....
Body Material..... N/A	Warranty..... 5 Years
Operating Temp..... -40 C to + 50 C	Accessories..... M50112, M50125, M50133
Ingress Protection (IP)..... 68	

In an effort to continuously improve product performance and reliability, the specifications and product are subject to change without prior notice.
 Maxxima is a registered trademark of the PANOR CORPORATION



In an effort to continuously improve product performance and reliability, the specifications and product are subject to change without prior notice.
Maxxima is a registered trademark of the PANOR CORPORATION



In an effort to continuously improve product performance and reliability, the specifications and product are subject to change without prior notice.
Maxxima is a registered trademark of the PANOR CORPORATION