

Insulated Stud Type Junction Blocks

Series JB625-XX-32

Application:

Insulated non feed-thru stud type junction blocks for discrete or bussed wiring applications

Specifications:

Electrical rating: 30A, 300V

Temperature Rating: 120°C (250°F)

Torque rating: 25 in-lbs max.

Mounting torque: 25 in-lbs max.

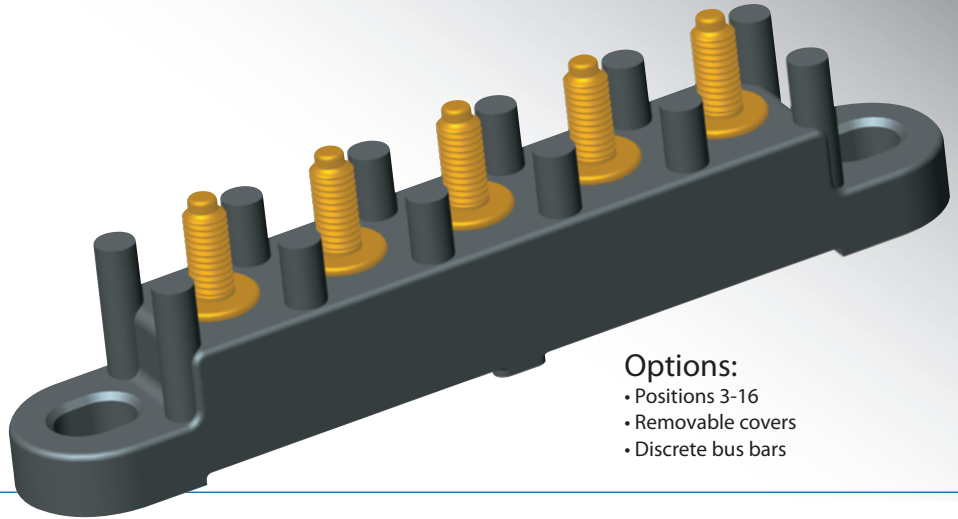
Materials: Body-Nylon 66

Studs: #10-32, Brass

Optional cover-PVC

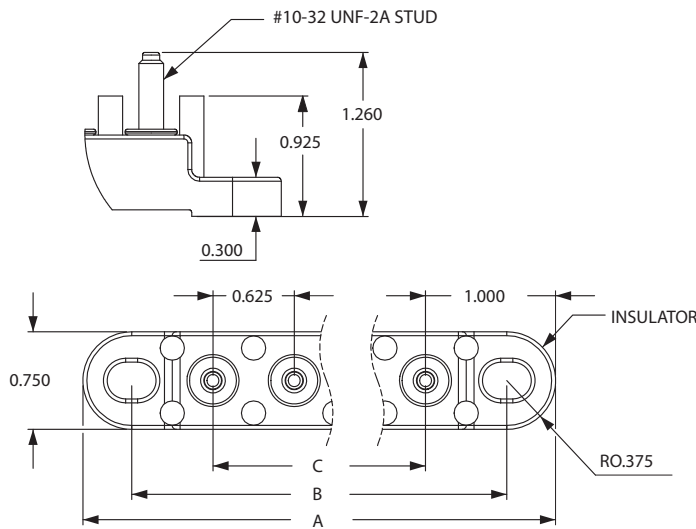
Optional bus bar-Tin plated brass

• RoHS compliant



Options:

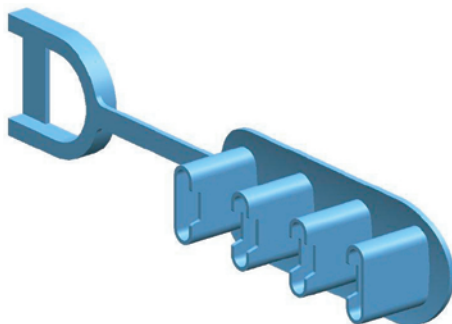
- Positions 3-16
- Removable covers
- Discrete bus bars



PART NO.	BRASS STUD TYPE JUNCTION BLOCK	A	B	C
JB625-3-32	3 POSITION	3.25	2.5	1.25
JB625-4-32	4 POSITION	3.875	3.125	1.875
JB625-5-32	5 POSITION	4.5	3.75	2.5
JB625-6-32	6 POSITION	5.125	4.375	3.125
JB625-7-32	7 POSITION	5.75	5	3.75
JB625-8-32	8 POSITION	6.375	5.625	4.375
JB625-9-32	9 POSITION	7	6.25	5
JB625-10-32	10 POSITION	7.625	6.875	5.625
JB625-11-32	11 POSITION	8.25	7.5	6.25
JB625-12-32	12 POSITION	8.875	8.125	6.875
JB625-13-32	13 POSITION	9.5	8.75	7.5
JB625-14-32	14 POSITION	10.125	9.375	8.125
JB625-15-32	15 POSITION	10.75	10	8.75
JB625-16-32	16 POSITION	11.375	10.625	9.375

Cover

Part Number - JB625-XX-C



Bus Bar

Part Number - JB625-XX-B

