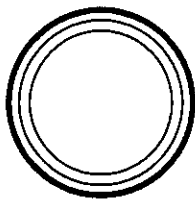
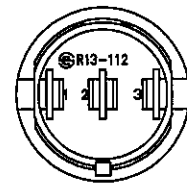
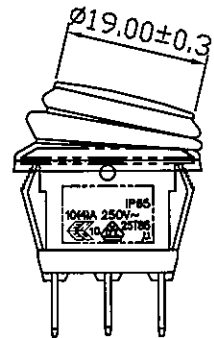
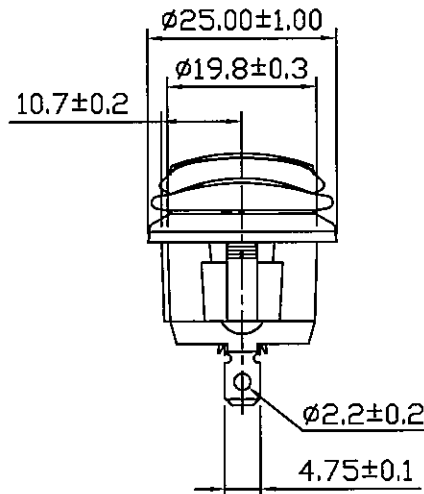
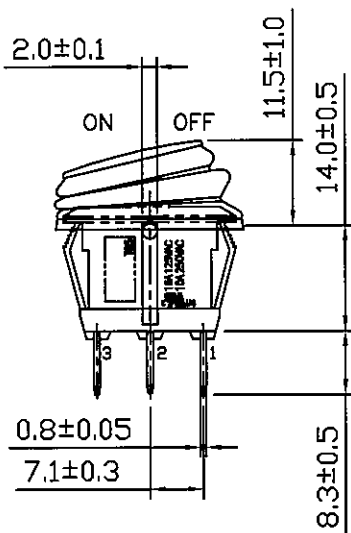
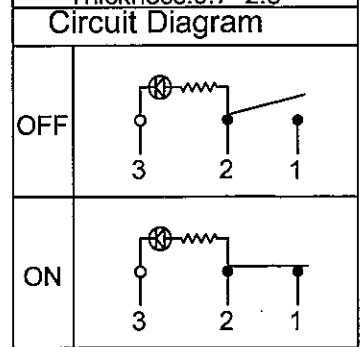


Rating	20A 12VDC	Mounting Hole	
Contact Resistance	50m ohm Max.		
Insulation Resistance	DC 500V 100M ohm Min.		
Dielectric Strength	AC 1500V 1 minute		
Operation Temperature	-25°~85°		
Switch Function	3P SPST ON-OFF (LED dependent)		



**\*MATERIAL:**  
 Frame: Nylon 66 (94-V2), Black  
 Actuator: PC (94-V2), Red  
 Waterproof rubber: Silicone  
 Terminals: Silver plated, Copper alloy  
 Hot Stamping: None  
 Waterproof: IP65



for EF001 only

C8\客戶圖面\EF001\R13-112B8-02(44116)

						△	
						△	
Date	Name	Description				NO	
Drawn	Checked	Approved	SCI BOM NO.	Model Name	ROCKER SWITCH		
曹盈芳			Customer No. 44116	Model No.	R13-112B8-02	Rev. 0	
01/21/11		1/21/11	Unit mm	Shin Chin Industrial Co., Ltd.			