

4

3

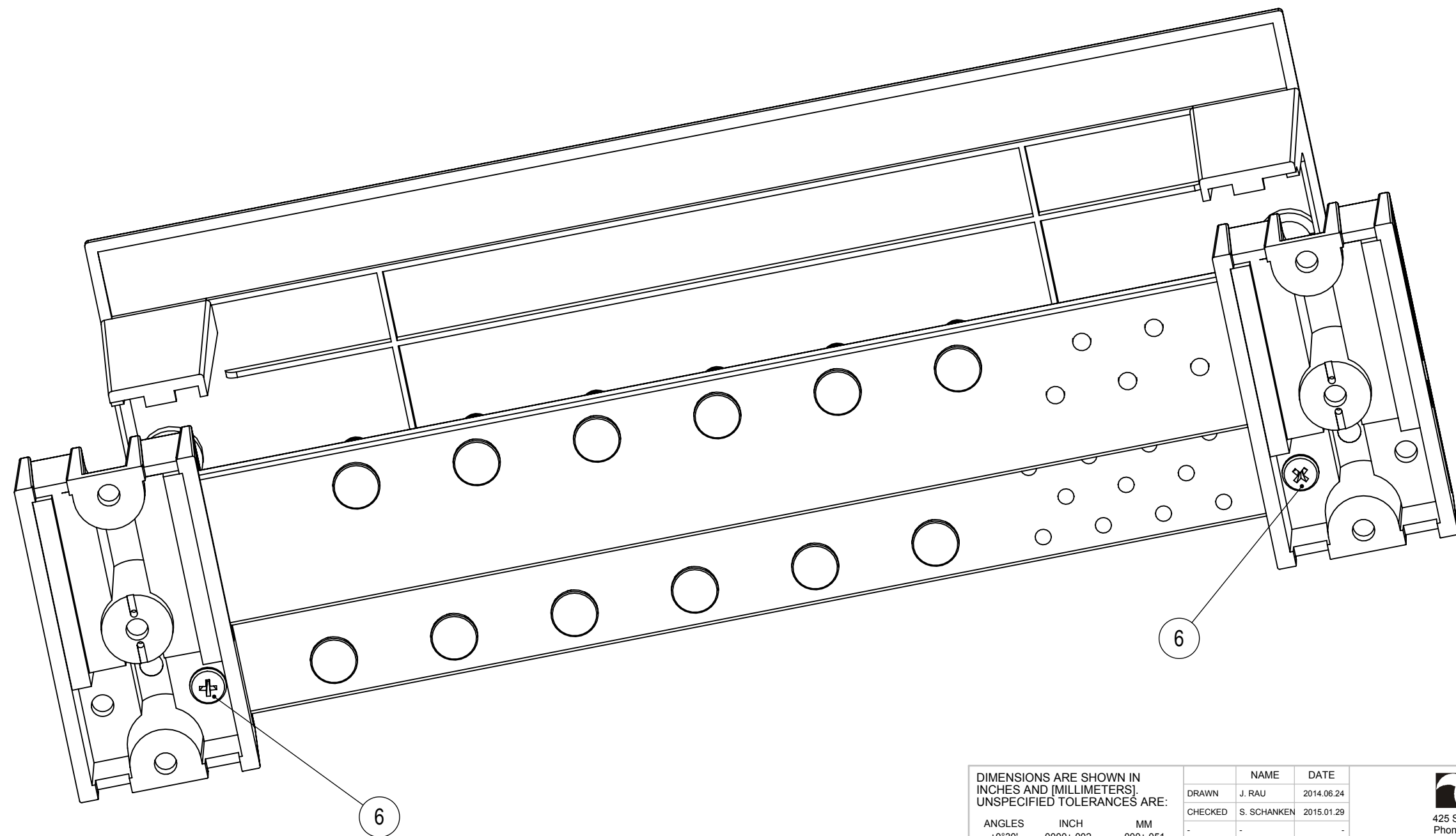
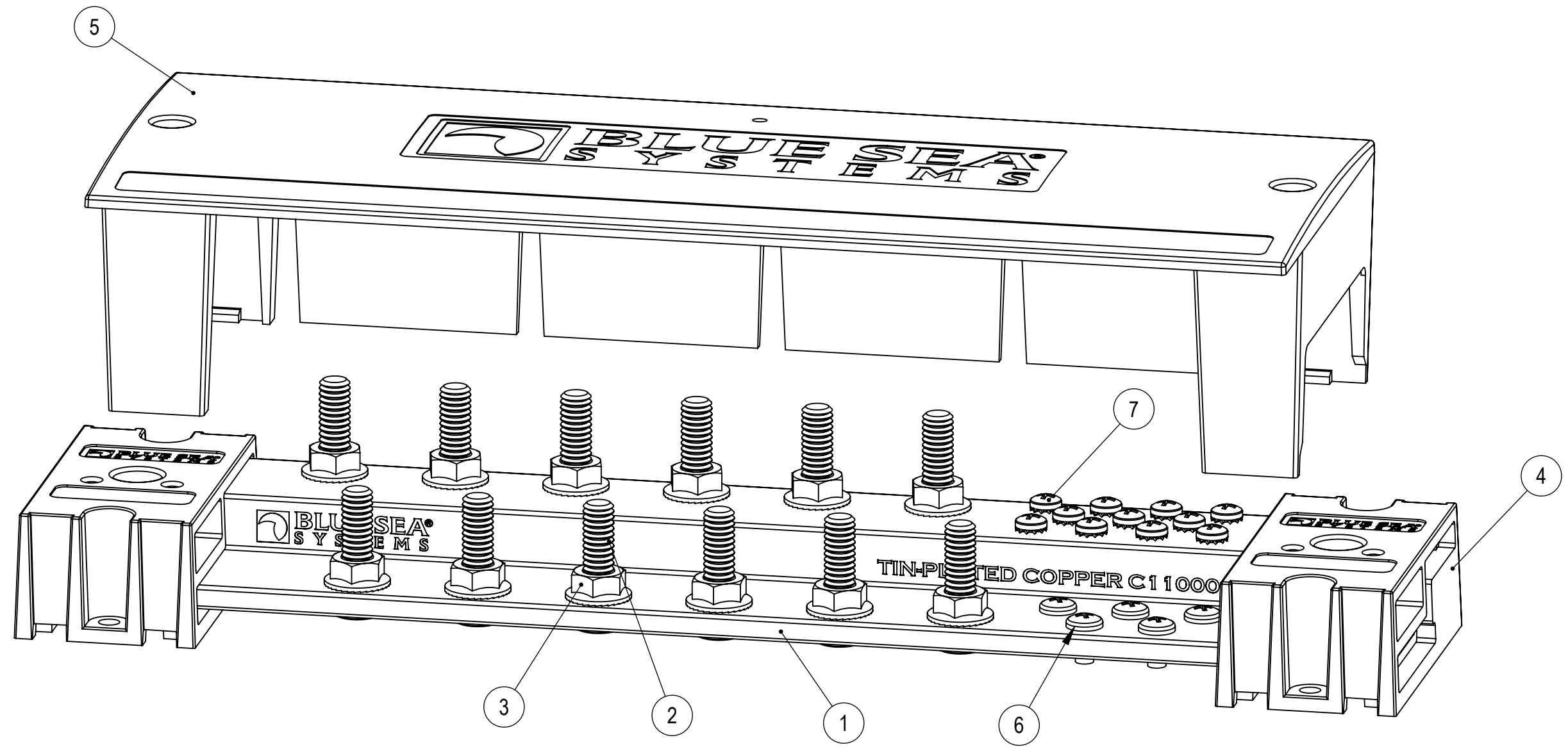
2

1

THIS DRAWING AND THE INFORMATION CONTAINED WITHIN IT ARE CONFIDENTIAL AND MAY NOT BE COPIED OR DISCLOSED WITHOUT THE WRITTEN PERMISSION OF BLUE SEA SYSTEMS.

REVISIONS			
ZONE REV.	DESCRIPTION	DATE	APPROVED
0	PART NUMBER AND DRAWING CREATION	2014.06.24	J. RAU
1	PRODUCTION RELEASE. REFERENCE ECO E-001638	2015.01.28	J. RAU

ITEM NO.	PART NUMBER	DESCRIPTION	QTY.
1	980017520	12 Position 5/16" PowerBar 1000 Busbar	1
2	980017880	5/16"- 18 x 1.25" Self-Clinching SS Stud	12
3	980015440	5/16" Serrated Flanged Nut	12
4	980017870	PowerBar 1000 Support	2
5	980017850	12 Position PowerBar 1000 Cover	1
6	9325	10-24 x 3/8 Screw	7
7	9950	8-32 x 5/16 Screw ETLW	11



THIRD ANGLE PROJECTION



4

3

2

1

DIMENSIONS ARE SHOWN IN INCHES AND (MILLIMETERS). UNSPECIFIED TOLERANCES ARE:

ANGLES	INCH	MM
±0°30'	±0.0002	±0.0051
	±0.0005	±0.0127
	±0.010	±0.254

MATERIAL ASSEMBLY
FINISH N/A
DO NOT SCALE DRAWING

NAME	DATE
DRAWN J. RAU	2014.06.24
CHECKED S. SCHANKEN	2015.01.29

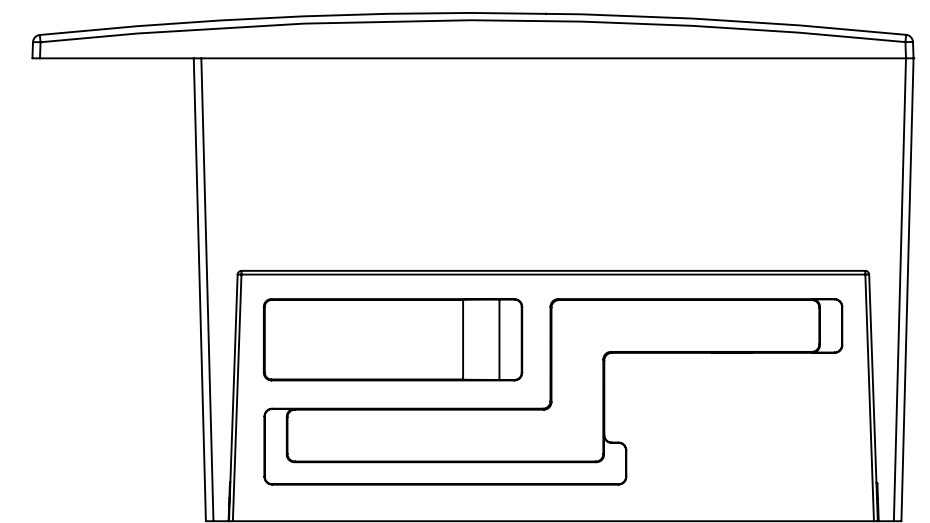
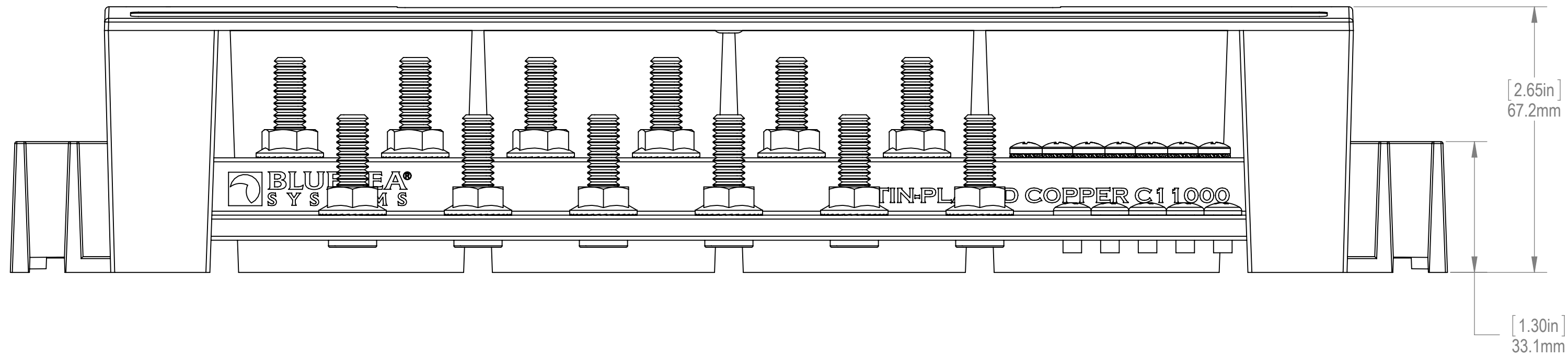
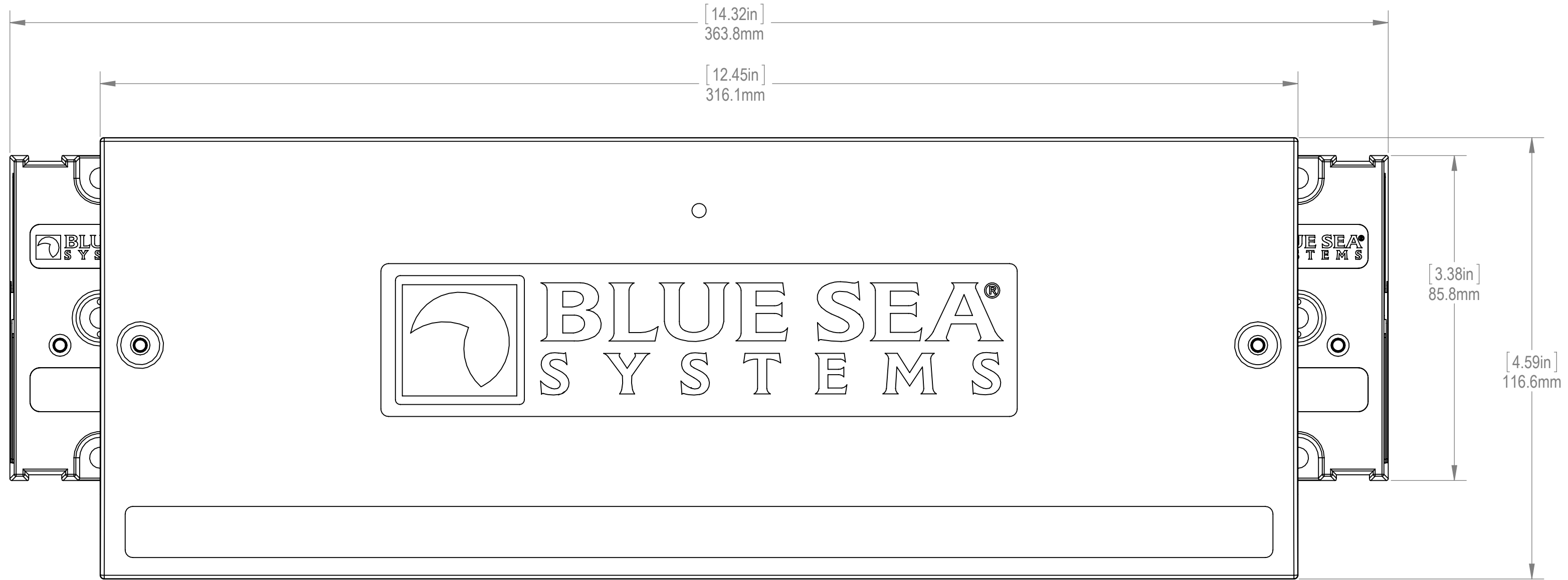
COMMENTS:

BLUE SEA SYSTEMS
425 Sequoia Drive Bellingham, WA 98226
Phone (360)738-6230 Fax (360)734-4195

TWELVE POSITION 5/16-18 STUD POWERBAR 1000
Part Number 1993

SIZE C	DWG. NO. 1993-1	REV. 1
SCALE 1:2	SHEET 1 OF 3	

THIS DRAWING AND THE INFORMATION CONTAINED WITHIN IT ARE CONFIDENTIAL AND MAY NOT BE COPIED OR DISCLOSED WITHOUT THE WRITTEN PERMISSION OF BLUE SEA SYSTEMS.



THIRD ANGLE PROJECTION



BLUE SEA SYSTEMS
 425 Sequoia Drive Bellingham, WA 98226
 Phone (360)738-8230 Fax (360)734-4195

TWELVE POSITION 5/16-18 STUD POWERBAR 1000
 Part Number 1993

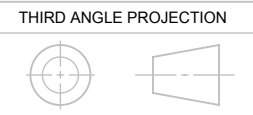
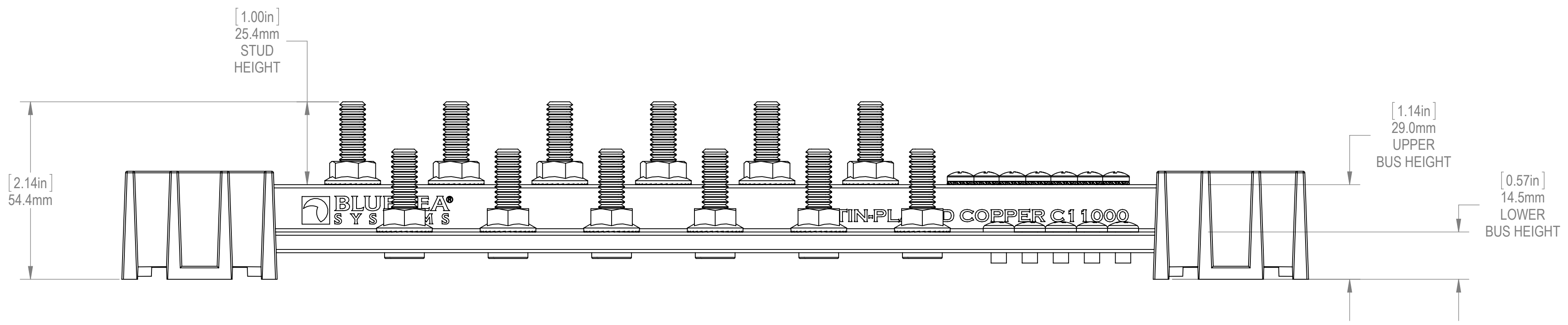
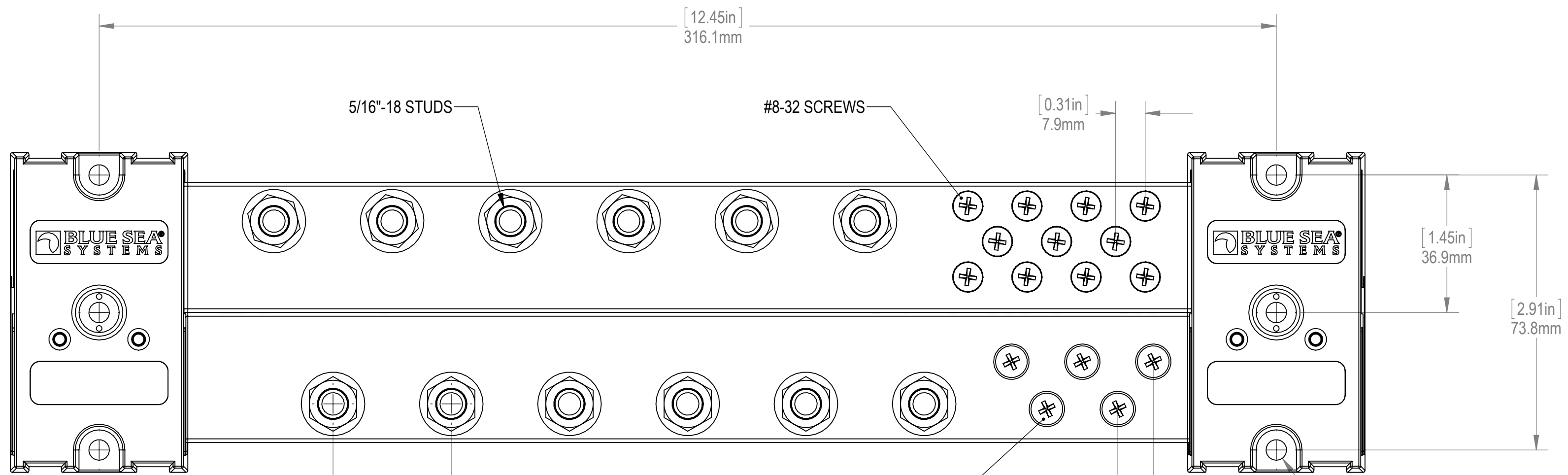
SIZE C	DWG. NO. 1993-1	REV. 1
SCALE 1:1		SHEET 2 OF 3

4

3

2

THIS DRAWING AND THE INFORMATION CONTAINED WITHIN IT ARE CONFIDENTIAL AND MAY NOT BE COPIED OR DISCLOSED WITHOUT THE WRITTEN PERMISSION OF BLUE SEA SYSTEMS.



BLUE SEA SYSTEMS
 425 Sequoia Drive Bellingham, WA 98226
 Phone (360)738-8230 Fax (360)734-4195

TWELVE POSITION 5/16-18 STUD POWERBAR 1000
 Part Number 1993

SIZE	DWG. NO.	REV.
C	1993-1	1
SCALE 1:1	SHEET 3 OF 3	

4

3

2

1