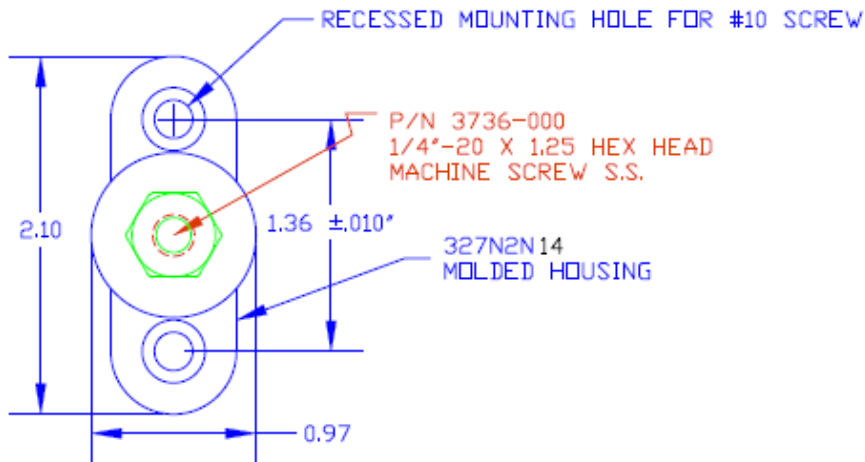
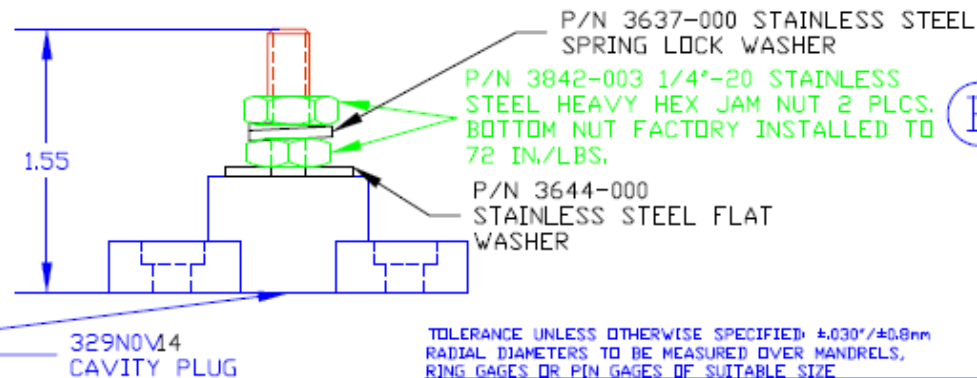
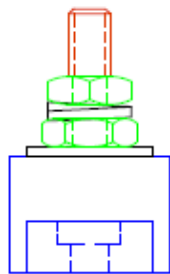


| LTR. | REVISIONS | DATE | INT. |
|------|------------------------------------|---------|------|
| △ | 3842-003 WAS 3842 | 19MAY05 | BRH |
| B | ADDED OPTIONAL CONSTRUCTION NOTE | 04APR06 | BRH |
| C | REMOVED OPTIONAL CONSTRUCTION NOTE | 20OCT15 | RAS |



DO NOT
SCALE



TOLERANCE UNLESS OTHERWISE SPECIFIED: ±.030"/±0.8mm
RADIAL DIAMETERS TO BE MEASURED OVER MANDRELS,
RING GAGES OR PIN GAGES OF SUITABLE SIZE

BASE MATERIAL: GLASS-REINFORCED NYLON
 BASE MATERIAL U.L. RATING: 94 HB
 DIELECTRIC STRENGTH: 630 VOLTS/MIL PER ASTM D149
 CURRENT RATING: 165 AMPS
 TEMP. RISE AT LOAD: 52 DEG. F.
 MAXIMUM RECOMMENDED TORQUE: 60 IN./LBS.

| | | | | |
|---------------------------------|------------------|-----------|----------|---------|
| REF: | DATE: | DRN BY: | BRH | WEIGHT: |
| **** | 09APR03 | CHK'D BY: | BRH | **** |
| TITLE: 1/4" SMALL JUNCTION STUD | | | | SCALE: |
| MATERIAL: | | | PART NO. | |
| COLOR: BLACK | DRG CLASS: ***** | | | |