

Series 22X

Circuit Breakers

Specifications

Auto (Type 1), modified (Type 2) & manual (Type 3) reset breakers

Single Pole Thermal Type Breakers

Rating: 5-30A, 14VDC; 28VDC (Series 223 & 226).

Interrupt Rating: 150A @ 14VDC (5-10A versions); 225A @ 14VDC (15A version); 300A @ 14VDC (20A version); 450A @ 14VDC (25-30A versions)

Operating Temperature Rating: -40°F (-40°C) to 185°F (85°C).

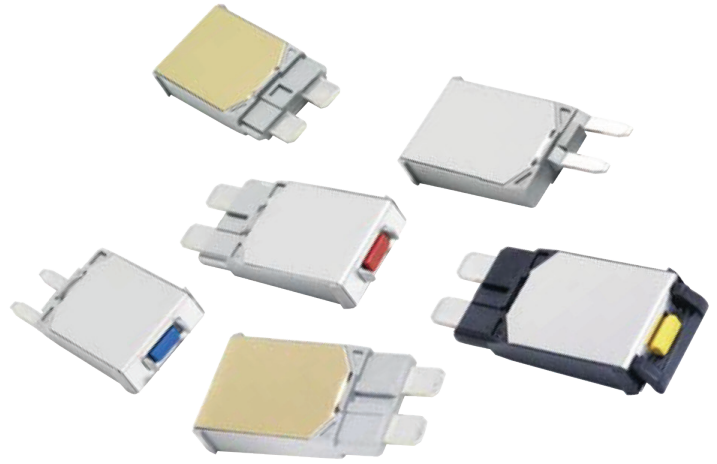
Storage Temperature Rating: -40°F (-40°C) to 260°F (125°C).

Materials: UL 94-V0 thermoplastic housing with gold metal cover (Type I) or silver metal cover (Type II & III)

Marking: Standard marking includes amp/volt ratings, part number, and date code. Type III reset buttons are color-coded to amperage ratings. Push-to-trip option is available on manual reset version. OCR marking is available.

Termination: Compatible with 280 Type or ATC® fuse blocks.

Compliances: SAE J553, SAE J1171 (ignition protection)



Dimensions in Inches (mm)

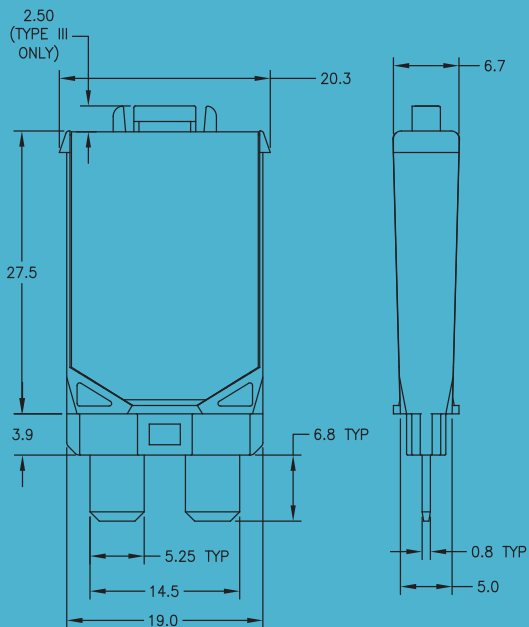


FIGURE 1. 22XXX-0XX WITH GENERAL DIMENSIONS

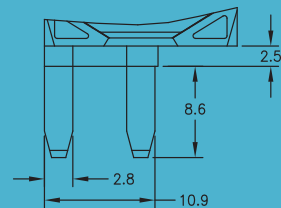


FIGURE 2. 22XXX-2XX

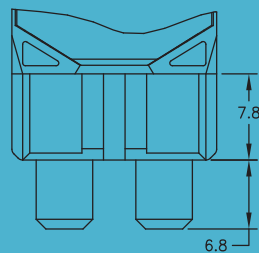


FIGURE 3. 22XXX-3XX

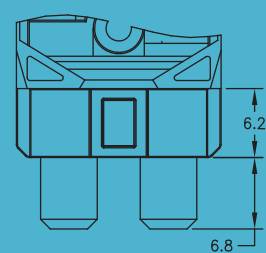


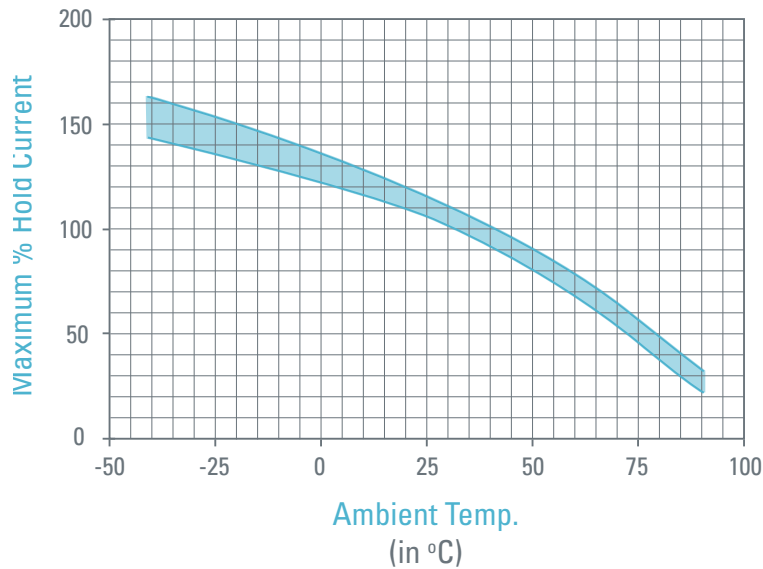
FIGURE 4. 22XXX-4XX

Ordering information

Series	Rating	Terminal	Marking
221 = Type I, 14 VDC 222 = Type II, 14 VDC 223 = Type III, 24 VDC 226 = Type III w/ Push-to-trip option, 24 VDC Consult factory for terminal option availability.	05 = 5 amps [light brown (tan)]* 75 = 7.5 amps [brown]* 10 = 10 amps [red]* 15 = 15 amps [blue]* 20 = 20 amps [yellow]* 25 = 25 amps [white]* 30 = 30 amps [green]* *Reset button color (223 & 226 only)	0 = ATC® Fuse, 4mm insertion depth 2 = 8.1mm Centerline 280 (MINI) 3 = ATC® Fuse, Delphi Autofuse Block (e.g. 12004943) 4 = ATC® Fuse, Blocks with raised shrouds, 6.4mm insertion depth	00 = Standard (Consult factory for special marking options)

Temperature Derating / Time Current Curves

Temperature Derating Curves



Trip Time vs. % Rated Current

