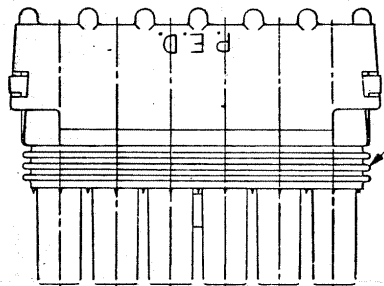
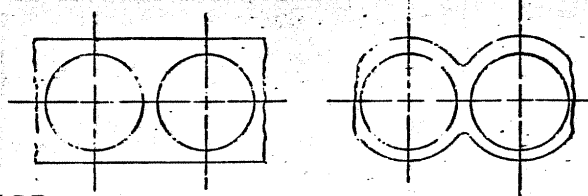


DO NOT SCALE

THIS DRAWING AND DESIGN HEREON CONSTITUTE A PROPRIETARY DESIGN OF PACKARD ELECTRIC DIVISION AND IS NOT TO BE DUPLICATED OR REPRODUCED WITHOUT AUTHORITY OF PACKARD ELECTRIC DIVISION.

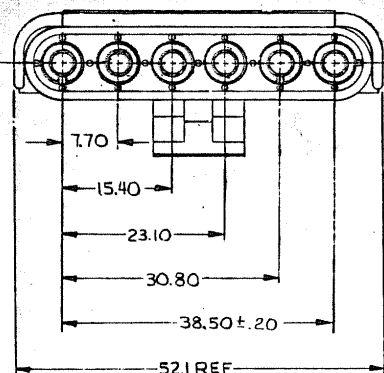


SEALING RIBS MUST BE FREE OF DEFECTS

STANDARD
CONSTRUCTIONOPTIONAL
CONSTRUCTION

CABLE END VIEW OF CONN. BODY

6.15 DIA. - 6 PLCS.

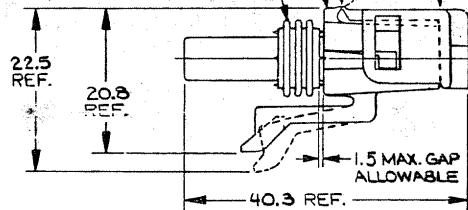
22.5
REF.20.8
REF.

12010227 - SEAL

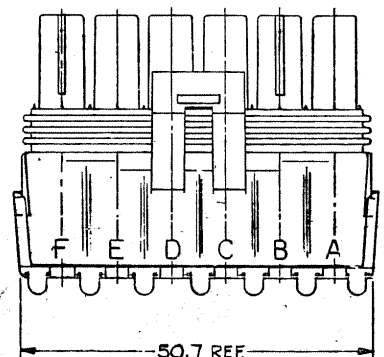
12015189 CONN. BODY

FLEX AREA MAY EXHIBIT MATERIAL SEPARATION AFTER FINAL ASSEMBLY.

TERMINAL LOCK TO BE FOLDED DOWN AS SHOWN AFTER TERMINALS HAVE BEEN INSERTED.



ASM. DIMENSIONING POINT.



- NOTES**
1. USE FEMALE TERMINAL 12034051 OR EQUIVALENT FOR "IN-LINE" APPLICATIONS. USE MALE TERMINAL 12033674 OR EQUIVALENT FOR "PANEL MOUNT" APPLICATIONS.
 2. USE CABLE SEAL 12015323 OR EQUIVALENT.
 3. MATING CONNECTOR - DELCO ELECTRONIC PART #12008965 OR EQUIVALENT.
 4. WHEN PARTS ARE SHIPPED, THEY MUST BE PACKED IN PLASTIC BAGS OR SHIPPING CONTAINERS MUST BE LINED WITH PLASTIC LINERS. BAGS OR LINERS MUST BE SEALED TO AVOID ENTRY OF FOREIGN MATTER.
 5. SEALING CODE 3.

DATE	SYM	REVISION RECORD	AUTH	DR	CK
05MY80	A	RELEASED	80005	JH	JH
09FE81	-	ADDED STANDARD & OPTIONAL CONST. VIEWS	75211	DB	JK
21JA82	-	38.50 ± .20 DIM WAS 38.50 ± .15	79596	DB	PA
19JL83	-	1.5 MAX. WAS 1.0 MAX.	85923	FW	WJ
11SE87	-	REVISED NOTE #1 & ADDED NOTE #5	115623	TR	SP
21OC87	-	REVISED TERMINAL NOTE	116529	JH	JH

PART NO.

1201 5199

METRICDIMENSIONS ARE IN MILLIMETRES
UNLESS OTHERWISE SPECIFIED

P. N. C. CODE	
CODE NO. 6900	TOLERANCE UNLESS OTHERWISE SPECIFIED DECIMALS: ANGULAR "2" TWO PLACE ± ONE PLACE ± 0.3
QC-C-5110	DR. <i>John E. Roberts</i> 05 MY 80
DWG. DATE 05MY80	SCALE NONE
EST. NO.	<i>W. J. Roberts</i> DATE 06 MY 80
REFERENCE NO.	<i>W. J. Roberts</i> DATE 07 MY 80
MATERIAL SPEC.	SEE DWG.
NAME ASM CONN GM/F W/P TWR	
PART NO. 1201 5199	SIZE C

PACKARD ELECTRIC