

MASTER

POWER OUTLET USED FOR THE 216481 / POWER OUTLET (ONLY) PART # 216510

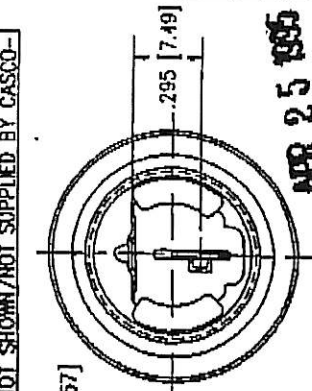
Power Outlet

REV 017 200

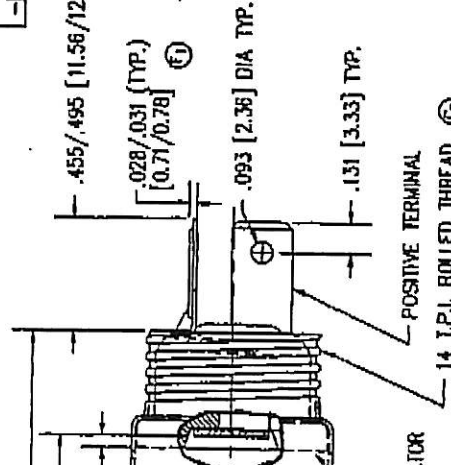
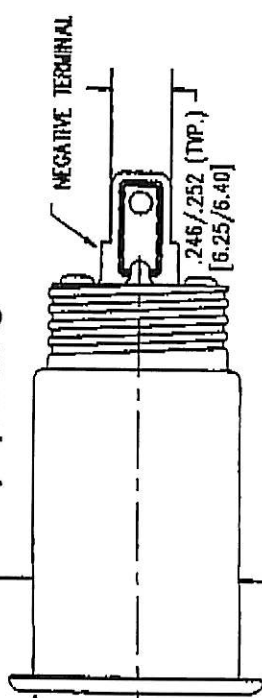
REV	DESCRIPTION OF CHANGE	BY	DATE
A	ADDED SPECIFICATIONS	MA	10/21/91
B	ADDED TERMINAL DIM'S AND CONDUCTOR DIM'S	MA	11/14/91
C	1) ADDED MAX ID 2) ADDED NOTES 3) ADDED DIA SPEEDS 4) REVISED STD	MA	11/27/91
D	1) ADDED PART PERF. SPEC 2) RELOCATED CONTACT SURFACE NOTE	MA	1/18/92
E	1) 30 AMP WAS 20 AMP	MA	1/16/92
F	1) 200V/400 WAS 300V/400 PER EIA # 1005	MA	4/27/92

PACKARD CONNECTOR P/N. 12053934 (1)
 PACKARD TERMINAL P/N. 2962544 (2)
 -NOT SHOWN/NOT SUPPLIED BY CASCO-

FAXED



APR 25 1995



14 I.P.I. ROLLED THREAD (C)
 POSITIVE TERMINAL (C)
 INSULATOR

SPECIFICATIONS

MATERIAL AND FINISH

- WELL: COLD ROLLED STEEL PER S.A.E. 1008-1120 (C)
- INSULATOR: NYLON 66 PER MIL-STD-1300-4 (C)
- TERMINAL-FINISH: CHROME PLATED PER MIL-STD-883C (C)
- ELECTRICAL SPECIFICATIONS: 30 AMPS MAX. @ 150 VDC (E)
- POWER RATING: 500 WDC OR 400 WAC (10 CTY) FOR 1 MINUTE BETWEEN WELLS AND TERMINAL
- ISOLATION RESISTANCE: CONTINUOUS
- REVERSE VOLTAGE: CONTINUOUS

MECHANICAL SPECIFICATIONS

- FEMALE STRAIN RESISTANT FORCE: 10 LBS [4.4 N] MIN
- REMAINE TORQUE: 21 INCH OZ [234 N-CM] MIN
- ENVIRONMENTAL SPECIFICATIONS: 8 HOURS IN VERTICAL, 8 HOURS IN HORIZONTAL PLACEMENTS. SHEET FROM 5 ACCEL TO 10 G. 10 MIN. @ 1000 RPM. EXPANSION OF .05 [1.27].
- TEMPERATURE: 0 TO 100°C
- HUMIDITY: 97% RELATIVE HUMIDITY AT 40°C FOR 4 HOURS. MIN 50% AT 25°C
- OPERATING TEMP.: -30 TO 85°C
- STORAGE TEMP.: -30 TO 85°C

INSTALLATION AND APPLICATION

- RECOMMENDED WIRE SIZE: 12 TO 14 AWG (C)
- NOTES: ASSEMBLY SHALL BE FREE FROM ANY MECHANICAL OR ELECTRICAL DEFECTS THAT WOULD AFFECT ITS SPECIFICATION OPERATION OR APPEARANCE. (C)
- DEFECTS MUST BE REPORTED IMMEDIATELY AFTER BEING DISCOVERED IN THE MECHANICAL, ELECTRICAL, AND MECHANICAL SPECIFICATIONS.
- WHEN ASSEMBLED TO A STEEL PANEL WITH A PRODUCTION HOLE SIZE OF .304 [7.62], THE SOCKET OR RESEALER MUST NOT BE DAMAGED OR DISTORTED WHEN A 20 IN. LB [2.25 N-M] TORQUE IS APPLIED TO SOCKET OR RESEALER.
- RELIABILITY SPECIFICATIONS SHALL COMPLY WITH SECTION 4) RELIABILITY REQUIREMENTS, INSURING ASSEMBLY, AND ELECTRICAL ACCESSORIES, AND DOCUMENT NO. 1607189

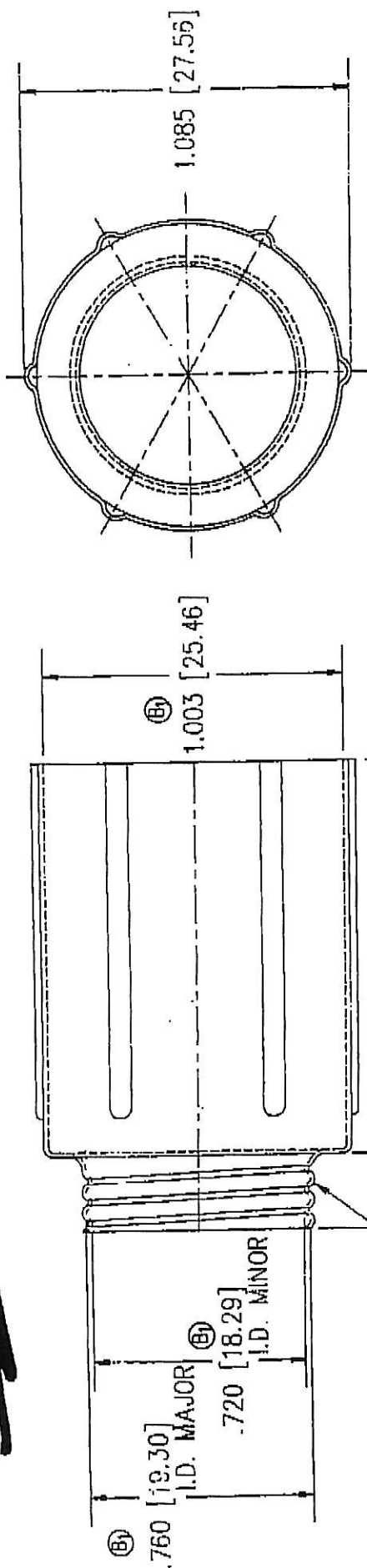
QTY.	WHERE USED
	DIMENSIONS IN [] ARE IN MILLIMETERS
	TOLERANCES UNLESS OTHERWISE SPECIFIED
	DECIMAL METRIC
	FRACTIONS DECIMAL
	FRACTIONS METRIC
	ANGLES = 10/32
	UNLESS NOTED OTHERWISE
	PROJECTION
	SCALE: 2:1
	DATE: 1/28/91
	DESIGNED BY: M. MICHAEL
	CHECKED BY: M. MICHAEL
	PROJECT ENG: M. MICHAEL
	APPROVED BY: A. EL-HAM
	DATE: 1/28/91
	CASCO PRODUCTS CORP.
	A SUBSIDIARY OF SEQUA CORPORATION
	BRIDGEPORT, CONNECTICUT 06605
	POWER OUTLET ASSEMBLY (12 V)
	FORMING IN.
	PART # 216510
	REV. F

POWER OUTPUT Retainer

REVISION BLOCK

REV	DESCRIPTION/ECO NO.	BY	DATE
A	REMOVE PROPRIETARY NOTE - E-25223	MPM	2/1/91
B	1) ADDED DIM'S 2) ADDED GM SPEC	MPM	8/7/91

MASTER



FAXED

ROLLED THREAD 14 T.P.I.

* Retainer is part of 216510 Assembly

NOTES:

- 1) MATERIAL: .013 [0.33] COLD ROLLED STEEL PER S.A.E. 1008-1020
- 2) FINISH: NICKEL PLATE PER GM 4373-M Ø

QTY.	WHERE USED

DIMENSIONS IN [] ARE IN MILLIMETERS
 TOLERANCES UNLESS OTHERWISE SPECIFIED
 DECIMAL .XXX = ±0.10 .XX = ±0.5
 METRIC .XXX = ±0.10 .XX = ±0.5
 ANGLES = ±0.5°

DRAWN BY	NAME	DATE	THIRD ANGLE PROJECTION
M. MICHAELI	M. MICHAELI	28-91	⊕
CHECKED BY	NAME	DATE	SCALE
A. EL-HAJI	A. EL-HAJI	28-91	2:1
APPROVED BY	NAME	DATE	SCALE

CASCO PRODUCTS CORP.
A SUBSIDIARY OF SEQUA CORPORATION
BRIDGEPORT, CONNECTICUT 06605

* RETAINER

DRAWING NO.	REV.
A10216275	B