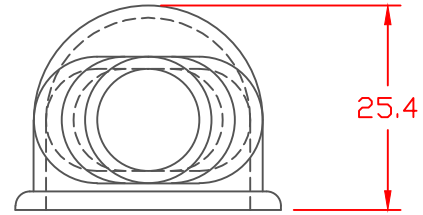
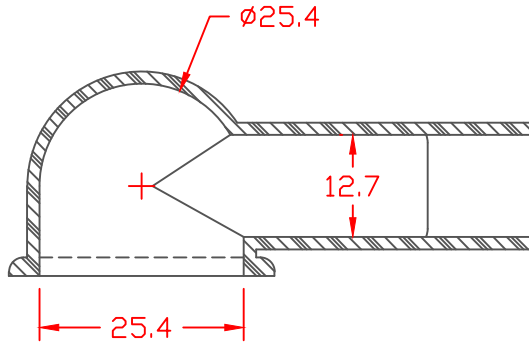
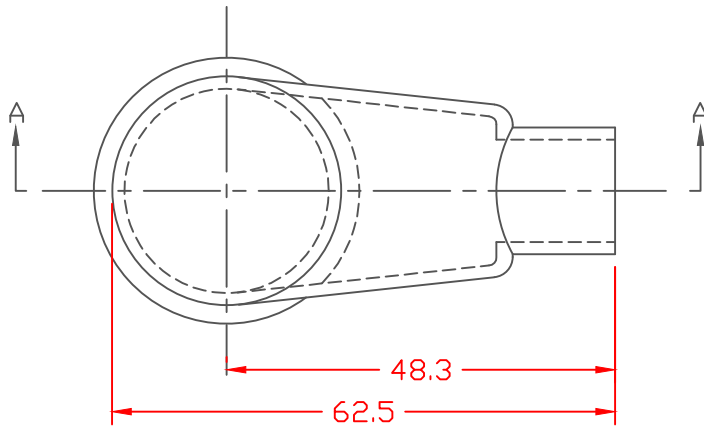


LTR.	REVISIONS	DATE
✂	*****	00-00-98

TYP. WALL THICKNESS = 1.5

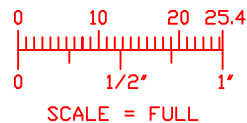


SECTION A-A



Material: BLACK PVC  
 Material Part No: 9812-65  
 Max. Operating Temp: 105 C  
 Shore Durometer: "A" 10 SEC. 67/63  
 Specific Gravity: 1.33  
 Ult. Elongation %: 520  
 Brittle Temp: -36 C  
 Tensile Strength PSI: 1563 PSI

U.L. Rating: 94 V2  
 MEETS: FMVSS.302



TOLERANCE UNLESS OTHERWISE SPECIFIED: ±.030"/±0.8mm  
 RADIAL DIAMETERS TO BE MEASURED OVER MANDRELS,  
 RING GAGES OR PIN GAGES OF SUITABLE SIZE

REF:	DATE: 3-26-98	DRN BY: JC CHK'D BY:	WEIGHT: 019 LBS. / 8.48 G.
TITLE: EYELET TERMINAL INSULATOR			
MATERIAL:		PART NO. 23547	
COLOR:	DRG CLASS		