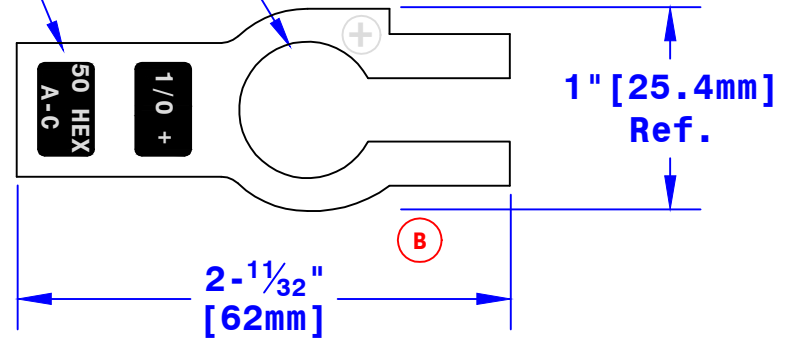
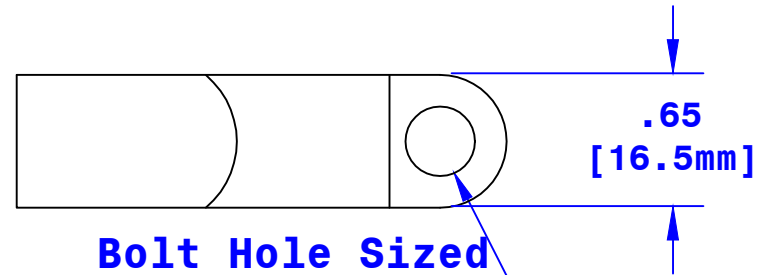
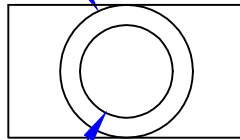


**Positive Post Hole**  
**Crimp Information**



**.65"**  
**[16.5mm]**  
**Dia. Ref**



**Bolt Hole Sized**  
**For  $\frac{5}{16}\text{''}$  [M8] Bolt**

**I.D.Sized For 1/0**  
**[50mm<sup>2</sup>] Stranded Cable**  
 **$\frac{7}{8}\text{''}$  [22.2mm] Min Depth**

|  |  |                       |
|--|--|-----------------------|
|  |  | TITLE                 |
|  |  | <b>Straight clamp</b> |
|  |  | PART #                |
|  |  | <b>3010P</b>          |

|  |                   |          |  |
|--|-------------------|----------|--|
| <b>Confidential and Proprietary Information</b>                |                   |          |  |
| Material & Treatment   | Drawing #         | REV      |  |
| <b>High Conductivity<br/>Copper Alloy<br/>Bright Tin Plate</b> | <b>3010P-Info</b> | <b>D</b> |  |
| Sheet 1  |                   | Of 1     |  |

|          |          |      |     |   |
|----------|----------|------|-----|---|
| <b>D</b> | 04-09-18 | 3790 | MTP | Added Positive Symbol                         |
| <b>C</b> | 10-28-10 | 2201 | JMH | Removed wording "Max" from dimensions         |
| <b>B</b> | 02-23-09 | 1759 | JMH | Update print; remove one notch; shorten tangs |
| <b>A</b> | 5-25-06  | 1285 | JMH | Added color printing to tangs                 |
| Rev      | Date     | ECN# | By  | Description                                   |

|                                      |                |               |             |
|--------------------------------------|----------------|---------------|-------------|
| Drawn By                             | Date           | Checked By    | Scale       |
| <b>Paul</b>                          | <b>3-31-03</b> | <b>Mike E</b> | <b>None</b> |
| Tolerances, unless otherwise noted   |                |               |             |
| <b>Dimensions are reference only</b> |                |               |             |