

# LIQUIDTIGHT

## Nonmetallic Liquidtight Connectors



### Applications

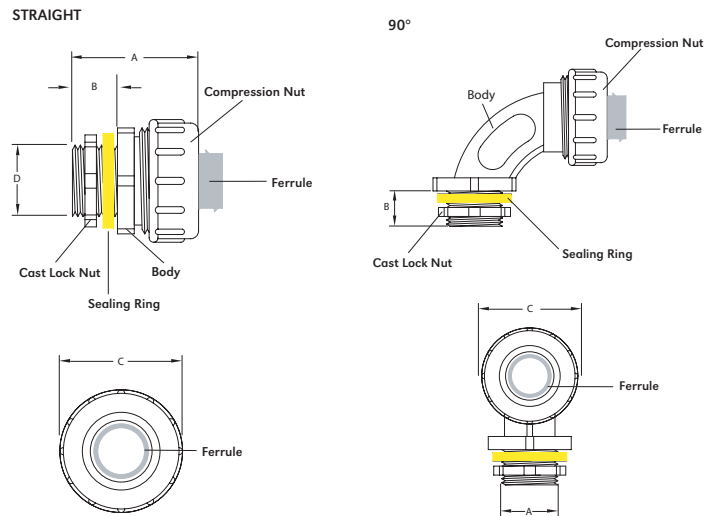
For use with Type B, nonmetallic conduit

### Features

- Constructed from UV rated plastic for long life
- No spin ferrule allows easy one piece assembly to conduit
- Internal gland provides positive seal when nut is tightened
- Polypropylene sealing ring assures tight seal between fitting & box
- Available in one-piece or traditional multi-piece configurations

### Applicable Third Party Standards

- Contact manufacturer for further UL Listing information



CATALOG NUMBER	TRADE SIZE	DIM A	DIM B	DIM C	INNER PACK	MASTER PACK	WEIGHT PER C
<b>Straight Connectors</b>							
NMLT-38KON	3/8"	1.545	0.535	1.406	25	100	6
NMLT-50KON	1/2"	1.545	0.535	1.406	25	100	6
NMLT-75KON	3/4"	1.593	0.550	1.593	10	50	9
NMLT-100KON	1"	1.975	0.670	1.906	5	25	14
NMLT-125KON	1-1/4"	2.293	0.645	2.438	5	25	27
NMLT-150KON	1-1/2"	2.175	0.660	2.688	2	10	32
NMLT-200KON	2"	2.438	0.670	3.375	2	10	44
<b>90° Connectors</b>							
NMLT-9038KON	3/8"	2.242	0.562	2.313	10	50	8
NMLT-9050KON	1/2"	2.242	0.562	2.375	10	50	8
NMLT-9075KON	3/4"	2.550	0.545	2.843	10	50	12
NMLT-90100KON	1"	3.150	0.630	3.688	5	25	21
NMLT-90125KON	1-1/4"	3.420	0.645	4.656	5	25	40
NMLT-90150KON	1-1/2"	4.510	0.660	4.469	2	10	51
NMLT-90200KON	2"	4.850	0.670	5.281	2	10	77