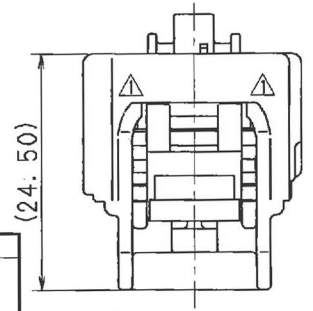
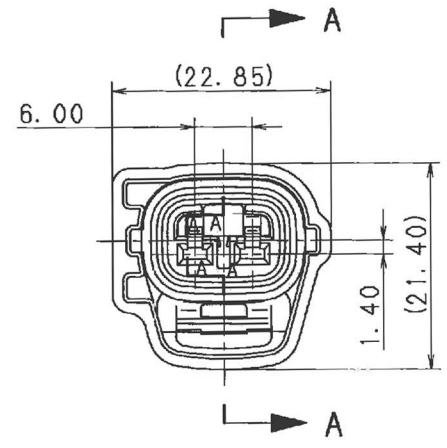
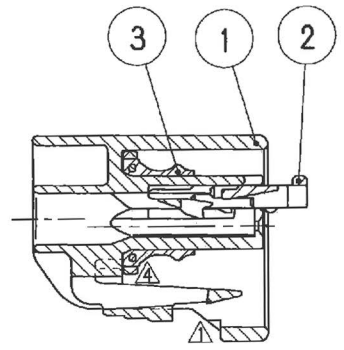


TABLE 1

SUB ASSEMBLY PART NO. AND CH. CODE	NO.	PART NO. AND CH. CODE	△ PART NAME	MATERIAL	COLOR	△ QTY.
△ 7283-7028-30 ETC.	①	△ SEE TABLE 2	HOUSING	PBT	△ SEE TABLE 2	1
	②	7157-4350	SPACER	PBT	NATURAL	1
	③	△ 7137-2244-60	PACKING	△ SILICONE RUBBER	△ LIGHT GREEN	1

△ TABLE 2

SUB ASSEMBLY PART NO. AND CH. CODE	PART NO. AND CH. CODE	COLOR
△ 7283-7028.△	7183-7028	NATURAL
△ 7283-7028-10.△	7183-7028-10	DARK GRAY
7283-7028-30.△	7183-7028-30	BLACK
△ 7283-7028-40.△	7183-7028-40	LIGHT GRAY
△ 7283-7028-50.△	7183-7028-50	ORANGE
△ 7283-7028-60.△	7183-7028-60	GREEN
△ 7283-7028-80.△	7183-7028-80	BROWN
△ 7283-7028-90.△	7183-7028-90	BLUE



NOTES

1. MATING PART NO. : 7282-7028-30 ETC.
2. APPLICABLE TERMINAL NO. : 7116-4025 ETC.
- △ 3. APPLICABLE RUBBER STOPPER NO. : 7158-3006-90 ETC.

注記

1. 対応相手品番 : 7282-7028-30 ETC.
2. 適用ターミナル品番 : 7116-4025 ETC.
- △ 3. 適用ゴム栓品番 : 7158-3006-90 ETC.

#38690

△	07.08.03	CHANGED FORM. ETC.	C07-2830	K. S
△	03.04.14	CHANGED NAME & CORRECTION OF A CLERICAL ERROR	C03-X273	K. O
△	98.01.13	CHANGED MATERIAL, NOTES & PART NO. △	C97-N786	A. A
△	96.10.22	CHANGED FORM & ADDED PART NO.	C96-M949	M. T
	89.09.13	NEW	C89-L966	M. T
LET	DATE	REVISION RECORD	NO.	CHKD

GENERAL TOLERANCE						
	10MAX	50MAX	100MAX	250MAX	2500YR	ANGLE
A	±0.15	±0.2	±0.3	±0.5	±0.75	±30'
B	±0.2	±0.3	±0.55	±0.95	±1.4	±30'
C	±0.3	±0.5	±0.8	±1.4	±2	±30'
SPECIFIED						MASS

CUSTOMER		MATT. SPEC.		TREAT. & FIN.	
CUSTOMER PART NO.	CUSTOMER DWG NO.	SEE TABLE 1			
OFFICE	TRIAL PART NO.	NAME △ 2. 3 II 2P SEALED CONNECTOR			
VENDOR		HOUSING FEMALE SUB ASSEMBLY			
VENDOR NO.	DWG TYPE	DWG SOURCE	DWG DATE	UNIT	SCL
	R	NEW	89.09.19	mm	△ 2/1
	APPROVED	CHECKED	CHECKED	DESIGN	DRAWN
	山形	紀子	佐藤	SAMEJIMA	M. MORAL
	07.08.03	07.08.03	07.08.03	89.06.21	07.08.03

PART NO. CH. CODE	△ 7283-7028-30 ETC.	
DWG NO.	7283-7028-30:R	SET DWG NO.
YAZAKI CORPORATION		