

Series 21X

Mini Circuit Breakers

Specifications

Auto (Type 1) & modified (Type 2) reset available

Single Pole Thermal Type Breakers

Rating: 5-30A; 14VDC

Interrupt Rating: 150A @ 14VDC (5-10A versions); 225A @ 14VDC (15A version); 300A @ 14VDC (20A version); 450A @ 14VDC (25-30A versions)

Operating Temperature Rating: -40°F (-40°C) to 185°F (85°C)

Storage Temperature Rating: -40°F (-40°C) to 260°F (125°C)

Materials: Grey UL 94-V0 thermoplastic housing with metal cover:
Breaker type indicated by subscript next to amperage rating on end of breaker

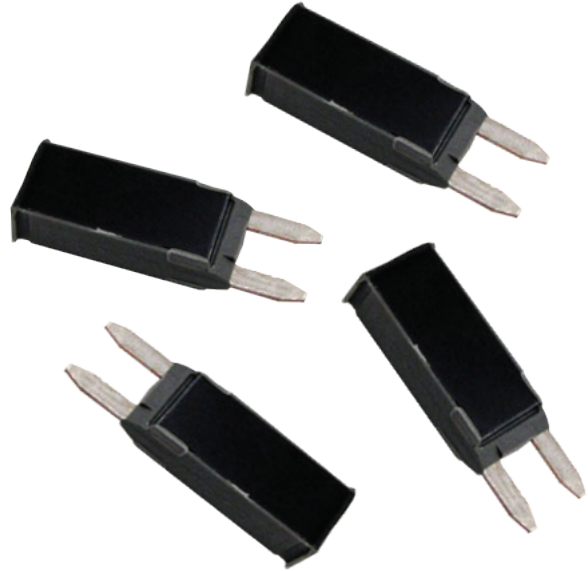
Marking: Standard marking includes amp/voltage ratings, part number, and date code. OCR marking is available.

Termination: Compatible with 2.8mm (280) Type fuse blocks using 0.32in. (8.1mm) centerline spacing

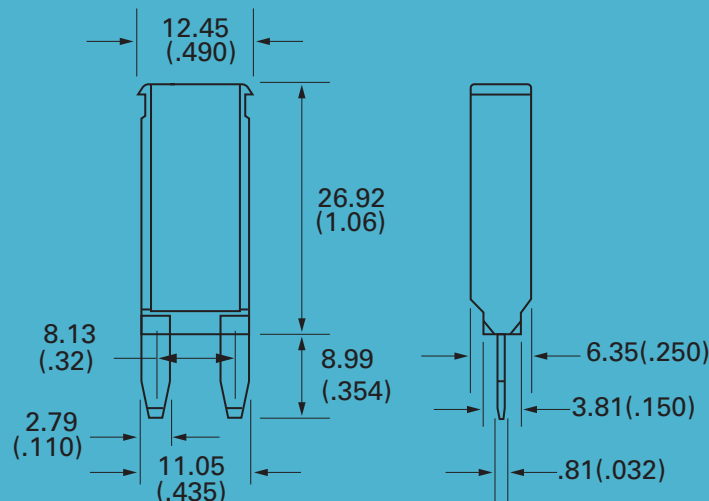
Compliances: SAE J553 Type I and Type II Circuit Breakers

RoHS compliant

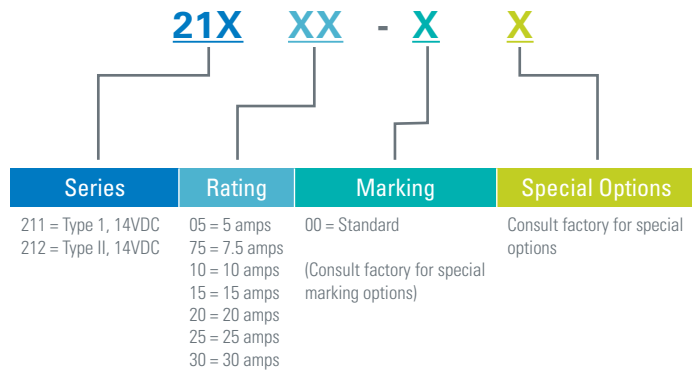
Anti weld-contacts available



Dimensions in Inches (mm)

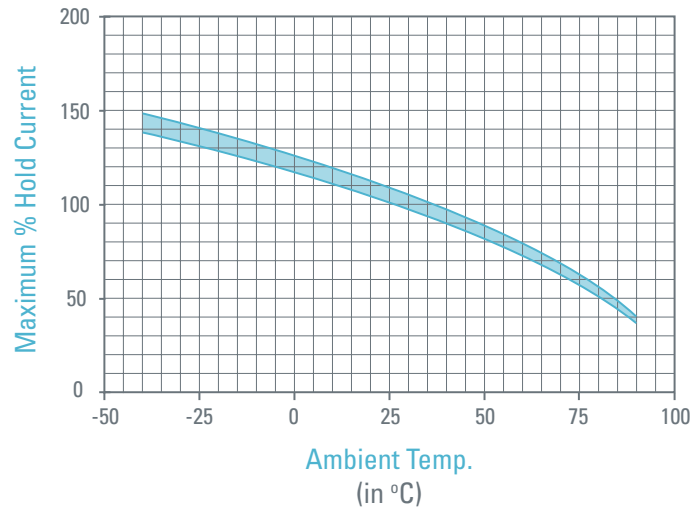


Ordering information

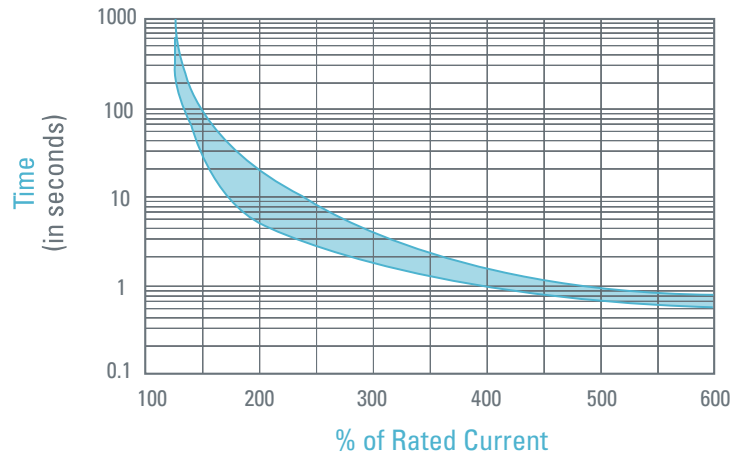


Temperature Derating / Time Current Curves

Temperature Derating Curves



Trip Time vs. % Rated Current



Uncontrolled Document
Last Revision: 10.21.19