



Model Number: **M09300R-X**

3/4" Round P2PC CM Red - Bulk Pack
50 Units

Function

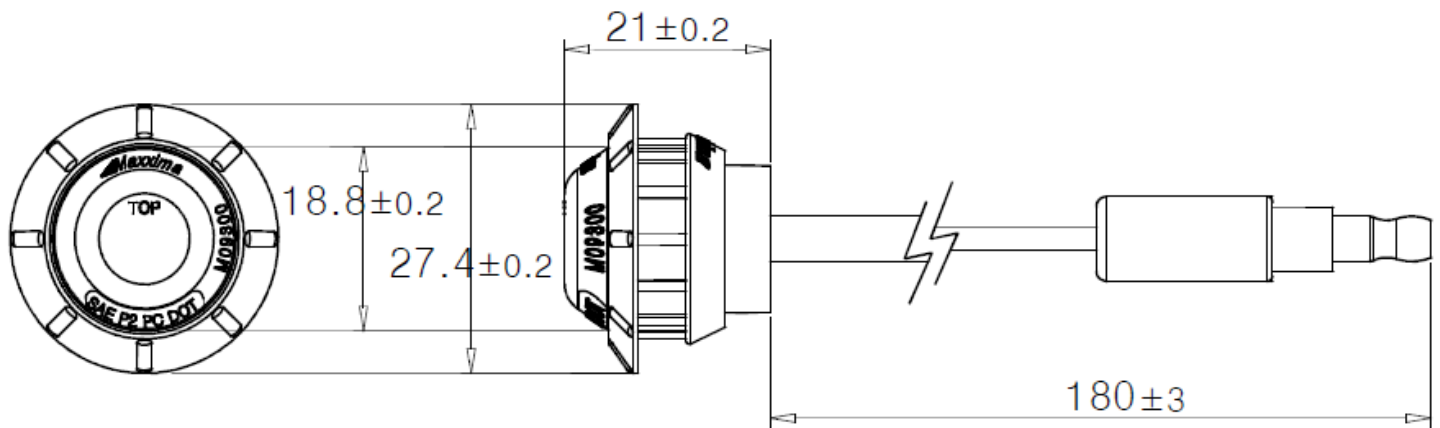
FMVSS 108 Standard.....
 DOT/SAE Spec.....
 Functions.....
 Functions Comments.....

 Legal Heading.....
 Origin Product..... **Taiwan**
 Dimensions.....

Specification

No.Leds.....	Termination.....
Led Type.....	Connector Supplied.....
Led Color.....	Gasket.....
Color Temp.....	Mounting Screws.....
Beam Pattern.....	
	Wire Gauge.....
Voltage (DC).....	Wire Color.....
Amperage Draw.....	Individual Pack.....
Polarity Sensitive.....	Master Pack..... 400
	Shipping Weight..... .041
Lumens.....	Warning Label.....
Lens Material.....	Warranty.....
Maxxshield Coat.....	
Body Material.....	Accessories..... M50133
Operating Temp..... -40 C to + 50 C	
Ingress Protection (IP).....	

In an effort to continuously improve product performance and reliability, the specifications and product are subject to change without prior notice.
 Maxxima is a registered trademark of the PANOR CORPORATION



In an effort to continuously improve product performance and reliability, the specifications and product are subject to change without prior notice.
Maxxima is a registered trademark of the PANOR CORPORATION