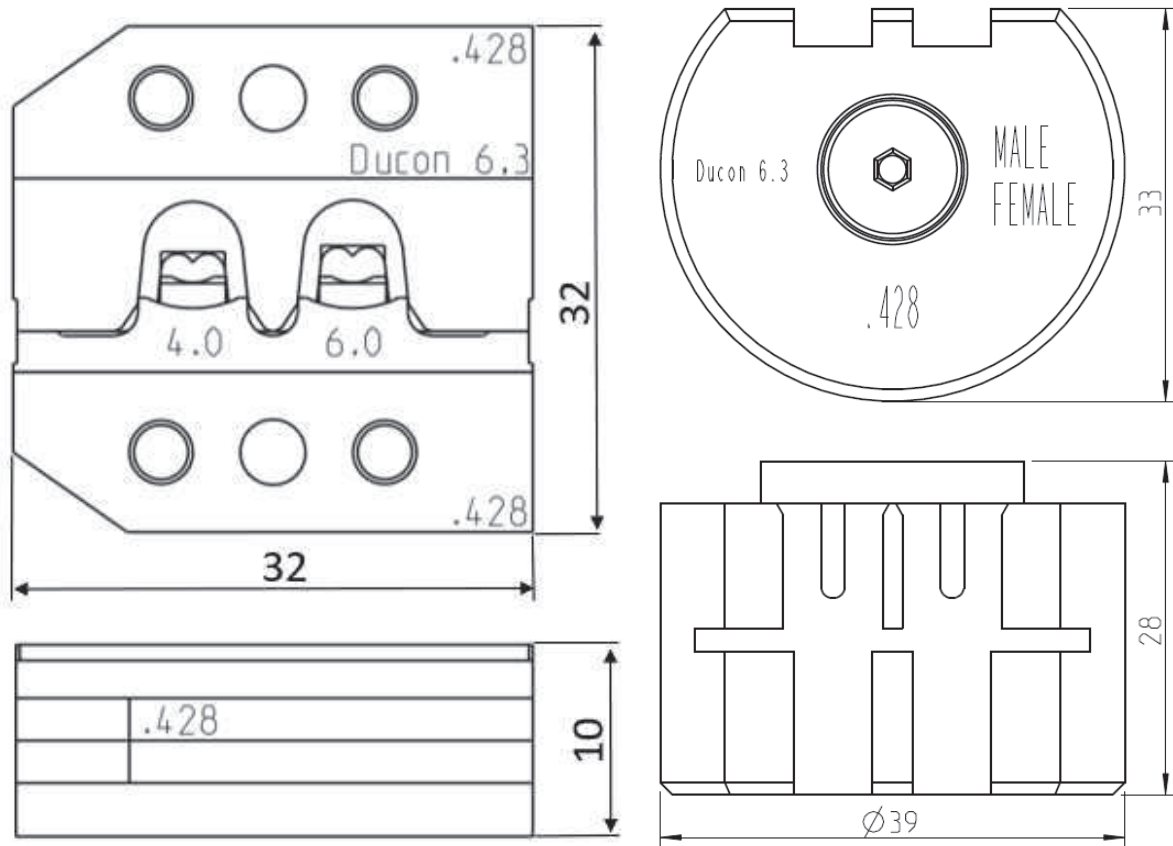


RENNSTEIG TOOLS, INC.

PRODUCT NAME

Rennsteig Crimping Die Set, Locator & Wire Stop for Ducon 6.3 sealed terminals



Measurements in Millimeter.

SPECIFICATION

P/N	Description	Application	Terminal P/N	Capacity	Applicable for
624 428 3 0	Die Set	Ducon 6.3 Sealed	12147474 15344631	AWG 14 / 10 4.0 / 6.0 mm ²	Rennsteig Crimp System Tools
624 428 0 01	Locator	Ducon 6.3 Sealed	12147474 15344631	AWG 14 / 10 4.0 / 6.0 mm ²	Rennsteig Crimp System Tools

CRIMP SPECIFICATION

Core Crimp

Terminal	Wire Size	Crimp height CCH (mm)	Crimp width CCW (mm)	Pull out force (N) DIN EN 60352-2
12147474	AWG 10 / 6.0 mm ²	2.1 ± 0.05	4.05 ± 0.1	350 (nominal)
12147474	AWG 14 / 4.0 mm ²	2.4 ± 0.05	4.10 ± 0.1	500 (nominal)
15344631	AWG 10 / 6.0 mm ²	2.1 ± 0.05	4.05 ± 0.1	350 (nominal)
15344631	AWG 14 / 4.0 mm ²	2.4 ± 0.05	4.20 ± 0.1	500 (nominal)

Insulation Crimp

Terminal	Wire Size	Insulation height ICH (mm)	Insulation width ICW (mm)	
12147474	AWG 10 / 4.0 mm ²	6.8 ± 0.1	6.75 ± 0.1	
12147474	AWG 14 / 6.0 mm ²	6.9 ± 0.1	6.75 ± 0.1	
15344631	AWG 10 / 4.0 mm ²	6.8 ± 0.1	6.75 ± 0.1	
15344631	AWG 14 / 6.0 mm ²	6.9 ± 0.1	6.75 ± 0.1	