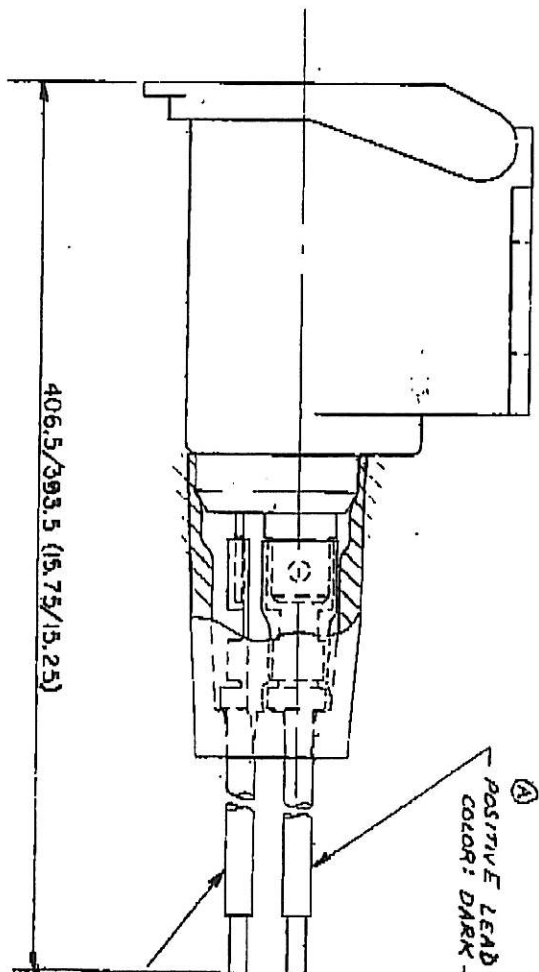


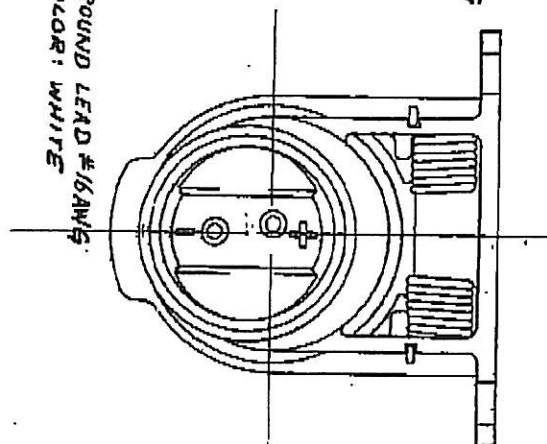
THIS DRAWING IS CONFIDENTIAL AND THE INFORMATION DISCLOSED HEREIN CONSTITUTES PROPRIETARY DATA OF CASCO PRODUCTS, INC. IT IS TO BE KEPT IN STRICTLY CONFIDENTIAL AND NOT TO BE REPRODUCED OR TRANSMITTED IN ANY FORM OR BY ANY MEANS, ELECTRONIC OR MECHANICAL, INCLUDING PHOTOCOPYING, RECORDING, OR BY ANY INFORMATION STORAGE AND RETRIEVAL SYSTEM. PERMISSION IS GRANTED TO OTHERS TO USE THIS DRAWING FOR THE PURPOSES OF THE ORIGINAL CONTRACT ONLY. ANY OTHER USE IS STRICTLY PROHIBITED. IN WITNESS WHEREOF, CASCO PRODUCTS, INC. HAS CAUSED THIS DRAWING TO BE SIGNED AND DATED AT WINDHAM, VERMONT, ON JUNE 14, 2007.

From: Jennifer



Ⓐ POSITIVE LEAD #16AWG
COLOR: DARK-GRAY

Ⓐ GROUND LEAD #16AWG
COLOR: WHITE



UNCONTROLLED COPY
JUN 14 2007

FAXED
6/14/07

PAGE LENGTH: MATERIAL: MATERIALS FROM: [0212165]

2/14/04	A	ADDED WIRE DESIGNATIONS AND REFERENCE #16AWG	AD
1/24/04	4	REVISED FOR MANUFACTURE PER CRO C-9813	AD
DATE	BY	REVISION RECORD	CR

11015

(212711)

UNLESS OTHERWISE SPECIFIED	SCALE - 2:1
TOLERANCES UNLESS OTHERWISE SPECIFIED	FIN. DIM. ± .001
1/4" DIA. ± .001	1/8" DIA. ± .001
1/16" DIA. ± .001	1/32" DIA. ± .001

CASCO PRODUCTS
A DIVISION OF THE CASCO CORPORATION
WINDHAM, VERMONT 05791

POWER OUTLET AND HARNESS ASSEMBLY

0212165