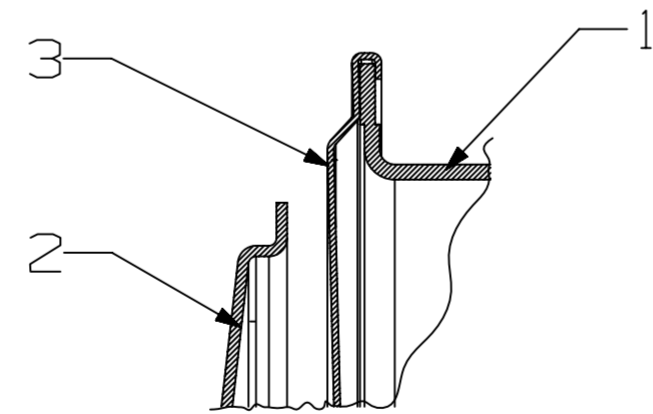
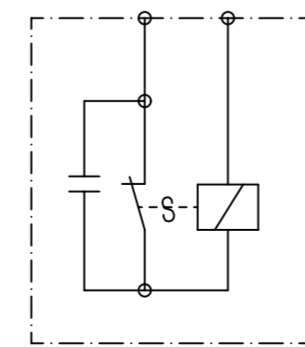


MANUFACTURING NUMBER and DATE



X DETAYI
ÖLÇEK 2:1



CIRCUIT DIAGRAM

SPECIFICATIONS

TEST VOLTAGE = 26 V.
 CURRENT CONSUMPTION = 3 A. max.
 NOMINAL FREQUENCY = 435 Hz ±30Hz
 SOUND PRESSURE LEVEL = 105-118 dB A (from 2 meters)
 APPROVAL NO = ECE.EEC.E1 0020048, e1 20048

POZ. NO SYM.	ADET REQ.	PARÇA NO PART NO	AÇIKLAMA DESCRIPTION	MALZEME MATERIAL
7	1	14341000	FLANGE NUT	DIN 6923
6	2	12490500	BRACKET Zn(Cr +3) COATED	Ck 60 DIN EN 10132-1/10132-4
5	2	22110900	TERMINAL (L) 0,8 x 6,3	DIN 17660 Cu Zn 30
4	1	56133000	PLASTIC INSULATOR	NAYLON 6,6
3	1	12760200	DIAPHRAGM	DIN EN 10132-1/10132-4 Ck 75
2	1	09110300	SOUND SPREADER PAINTED TO BLACK	DIN EN10130 FeP 04 (DC 04)
1	1	11150100	TRUNK PAINTED TO BLACK	DIN EN10130 FeP 04 (DC 04)

TARİH DATE	İMZA SIGNATURE	YÜZEY KÖRÜME COATING:	GENEL TOLERANS GENERAL TOLERANCE	BOYUTLAR (mm) DIMENSIONS	AÇILAR ANGLES	MÜSTERİ REFERANS NO CUSTOMER NO
01/02/2005			± 0.2		± 3°	CHIEF ENTERPRISES

GİZEN DESIGN	KONTROL CONTROL	ONAY APPROVAL	PARÇA ADI PART NAME:	RESİM NO:	DRAWING NO:
N. GULER	T. KUMRAL	T. KUMRAL	ELECTRICAL HORN HIGH TONE (435 Hz)		50FI24.012.42

Part Number 50FI24.012.42

22.07.13
 M.06.07 c SEGER Number was 50FI 2442
 Construction of terminal plastic changed
 Trunk marking was canceled and Marking of Sound
 Spreader was changed. Flange nut was started to use
 instead of serrated washer
 DEĞİŞİKLİKLER
 MODIF.