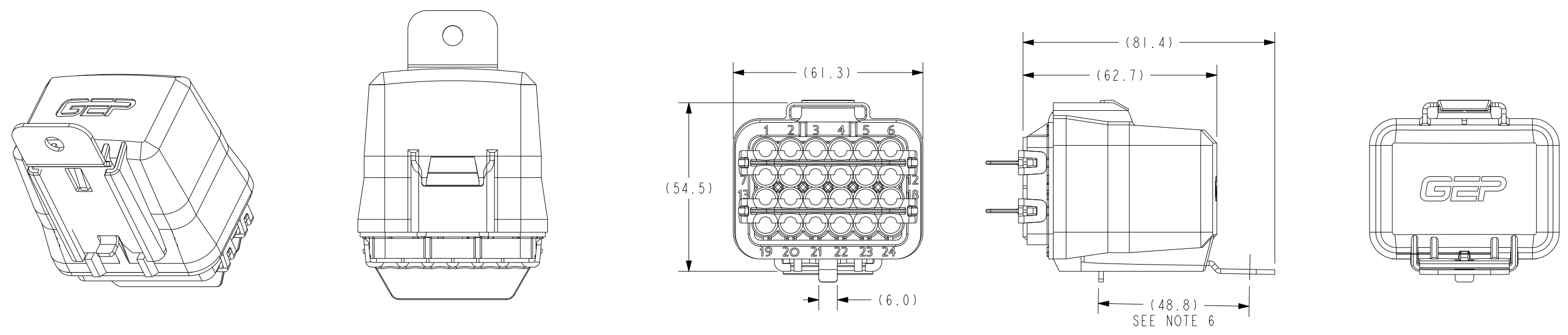


REV	REVISION DETAILS	ECO	DATE	BY	ABY
0	RELEASE FOR PRODUCTION	13187	04-14-2017	RRR	JML
1	UPDATED FORMAT. ADDED VIEWS, DIMENSIONS.	NP-0822	01-31-2018	JWK	JML



EXAMPLE ASSEMBLY SHOWN ABOVE  
 FRH-A24 (HOUSING & SEAL), FRH-A24-C (COVER), FRH-A12-MB-A1 (BRACKET), 2X FRH-A12-T (TPA)

TABLE A

TERMINALS / SEALS FOR HOUSING				
DELPHI 280 METRI-PACK TERMINALS				
PART #	RANGE (MM2)	MATERIAL	PLATING	
12077413	5.0	TIN BRASS	TIN	
12129493	2.0-3.0	TIN BRASS	TIN	
12077411	0.8-1.0	TIN BRASS	TIN	
12084201	0.35-0.50	TIN BRASS	TIN	
12176387	5.0	BERYLLIUM COPPER	SILVER/NICKEL	
12176388	2.0-3.0	BERYLLIUM COPPER	SILVER/NICKEL	
12176389	0.8-1.0	BERYLLIUM COPPER	SILVER/NICKEL	
DELPHI 280 METRI-PACK CABLE SEALS				
PART # REEL	PART # LOOSE	CABLE DIA	MATERIAL	COLOR
12015360	12015193	3.45-4.3	SILICONE	BLUE
12015359	12010293	2.81-3.49	SILICONE	LT. GRAY
12015284	12015323	2.03-2.85	SILICONE	GREEN
12041352	12041351	2.03-2.42	SILICONE	TAN
12089444	12089679	1.6-2.15	SILICONE	PURPLE
12034365	12015899	1.29-1.70	SILICONE	DK. RED
	12010300	PLUG	SILICONE	GREEN

**CONFIDENTIAL**

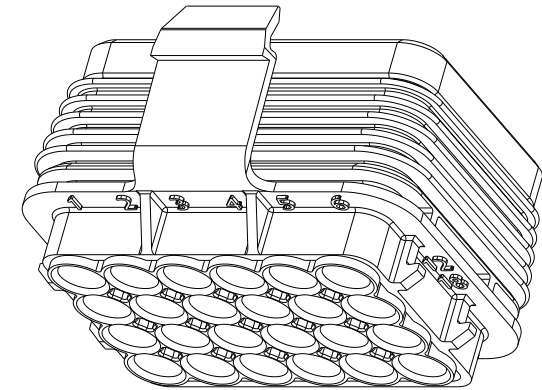
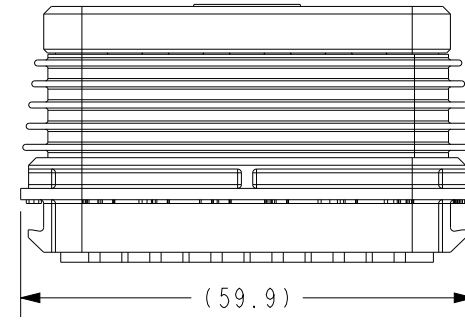
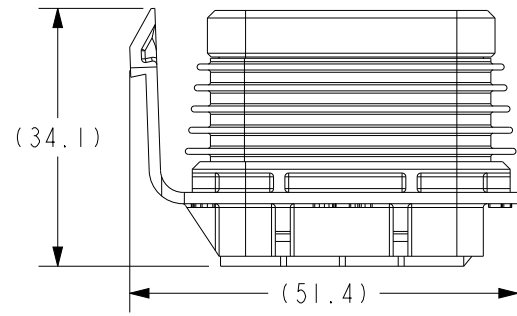
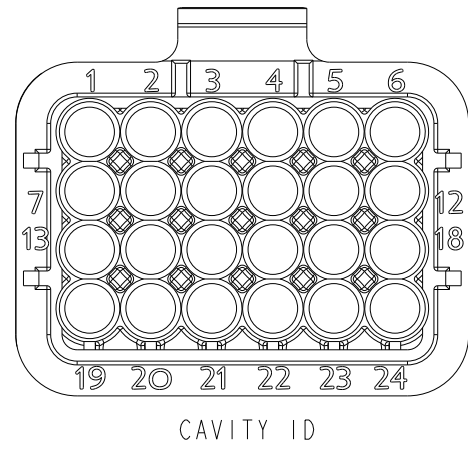
The information contained in this document is the property of GEP Power Products. It is not for public disclosure. Possession of the information does not convey any right to loan, sell or disclose the information. Unauthorized reproduction or use of the information is prohibited. This document is to be returned to GEP Power Products upon completion of the purpose for which it is loaned or upon request.

CRITICAL DIMENSIONS ON FEATURES TO BE CHECKED DURING ANY SET-UP ADJUSTMENTS, TOOL CHANGES, OR ANNUAL MAINTENANCE ON TOOLING.	DIMENSIONS OR FEATURES TO BE CHECKED FROM RUN-TO-RUN
TOLERANCES UNLESS OTHERWISE SPECIFIED	
THIRD ANGLE PROJECTION	
METRIC TOL	ENGLISH TOL
1 PL DEC. = ±.25 2 PL DEC. = ±.13	2 PL DEC. = ±.01 3 PL DEC. = ±.005
ANGULAR TOL = ±2° FRACTION TOL = ±1/64 IN	
DIMENSIONS INSIDE PARENTHESES OR CONTAINING "REF" ARE FOR REFERENCE ONLY.	
COPYRIGHT - GEP POWER PRODUCTS	
This is unpublished work. The disclosure of this work is limited to a select personnel. Further dissemination or disclosure to the public is PROHIBITED. This unpublished work is protected by Federal Copyright law and all rights thereunder are reserved by GEP Power Products.	

		16830 Pheasant Drive Brookfield, WI 53005	
PART NO:	FRH-A24 PDM FAMILY (SALES)		
DESCRIPTION:	FRH-A24 PDM FAMILY (SALES)		
CUSTOMER:	STANDARD		
METRIC (MM)	REV 1	SHEET 1 OF 3	SCALE 1:1.333
			SIZE B

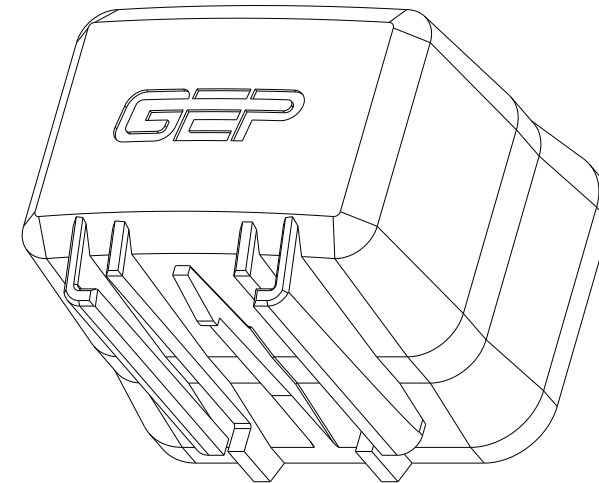
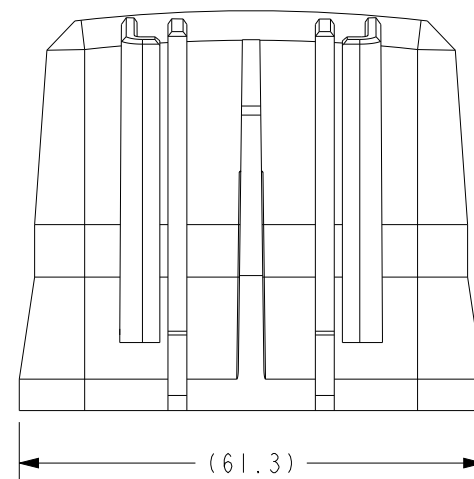
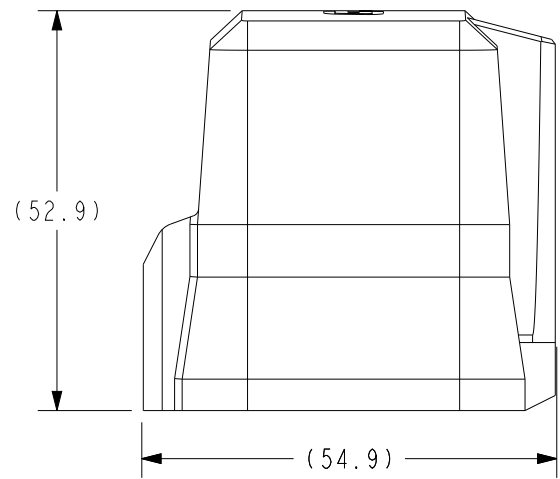
# FRH - HOUSING AND SEAL

FRH-A24  
HOUSING AND SEAL - PDM, FRH 24 POS



# FRH - COVER

FRH-A24-C  
COVER - PDM, FRH 24 POS



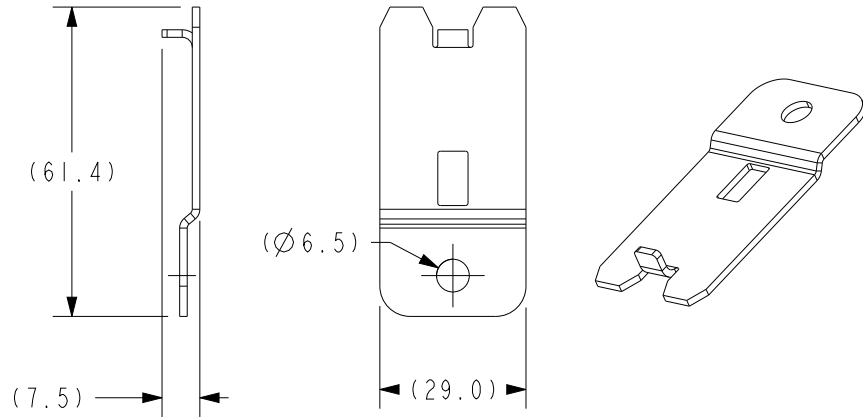
NOTES:

1. BASE & COVER MATERIAL: UNFILLED PBT
2. TPA, CPA, & KEY MATERIAL: UNFILLED PBT
3. BRACKET MATERIAL: ZINC PLATED STEEL OR STAINLESS STEEL (SEE CHART)
4. DESIGNED TO USE DELPHI 280 METRI-PACK TERMINALS AND SEALS (SEE TABLE A)
5. PICK BRACKET OPTION TO MOUNT ASSEMBLY
6. MOUNTING HOLE TO ANTI-ROTATION TAB DIM

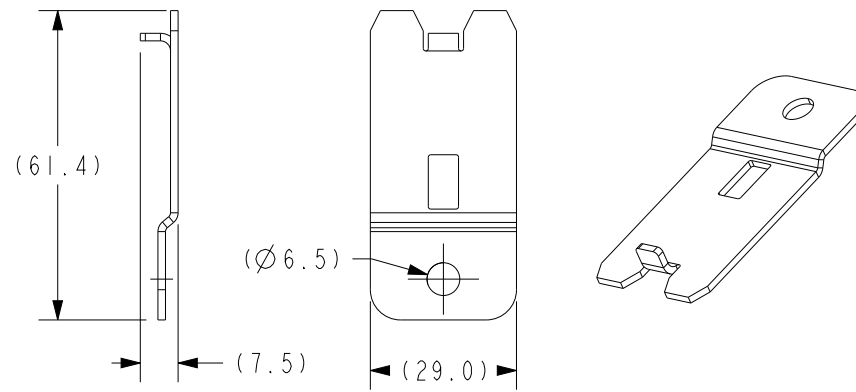
<b>GEP</b> POWER PRODUCTS		16830 Pheasant Drive Brookfield, WI 53005		
PART NO:	FRH-A24 PDM FAMILY (SALES)			
DESCRIPTION:	FRH-A24 PDM FAMILY (SALES)			
CUSTOMER:	STANDARD			
METRIC (MM)	REV 1	SHEET 2 OF 3	SCALE 1:1.5	SIZE B

# FRH - ACCESSORY OPTIONS

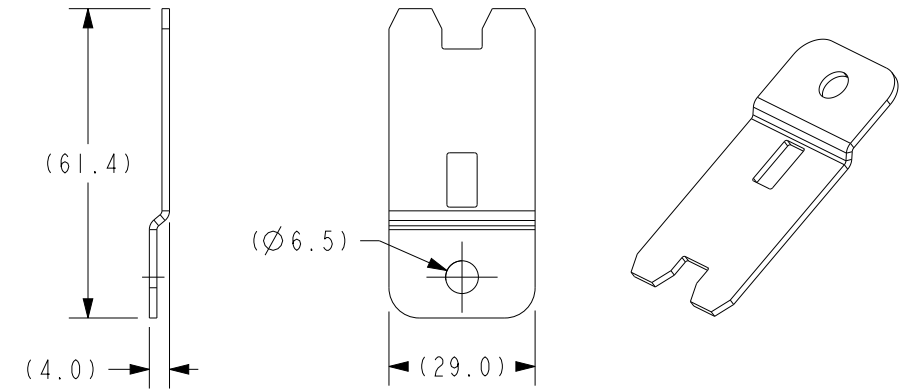
FRH-A12-MB-A1  
BRACKET - PDM,FRH,FLAT WITH ANTI-ROTATION, ZINC STEEL



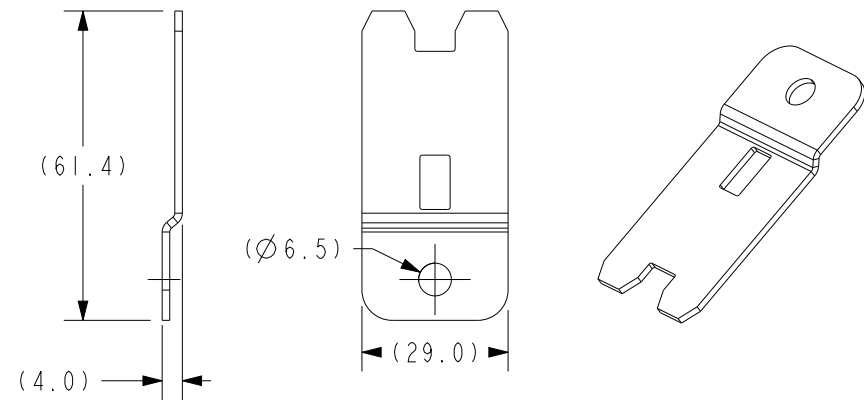
FRH-A12-MB-A2  
BRACKET - PDM, FRH, FLAT WITH ANTI-ROTATION, STAINLESS 304



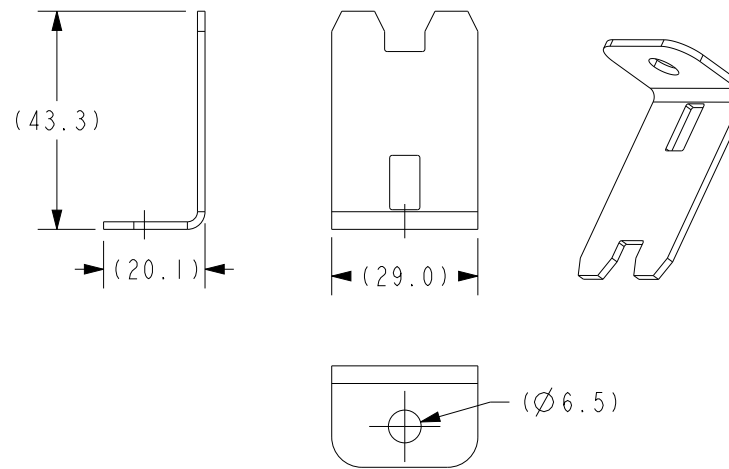
FRH-A12-MB-B1  
BRACKET - PDM, FRH, FLAT WITHOUT ANTI-ROTATION, ZINC STEEL



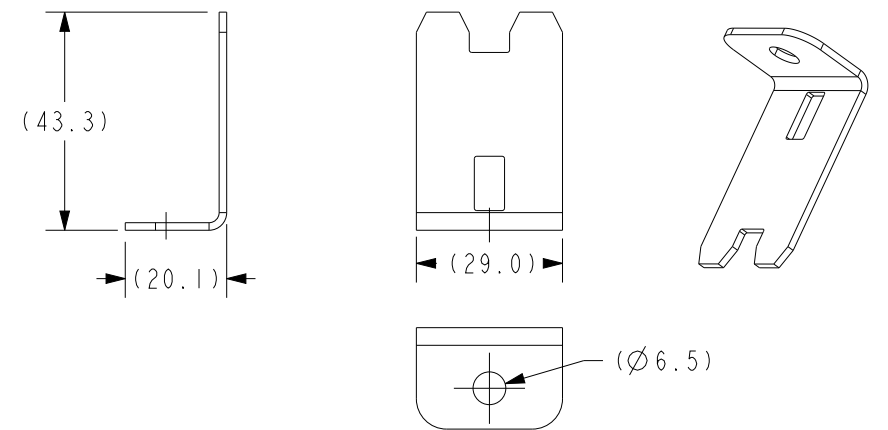
FRH-A12-MB-B2  
BRACKET - PDM, FRH, FLAT WITHOUT ANTI-ROTATION, STAINLESS 304



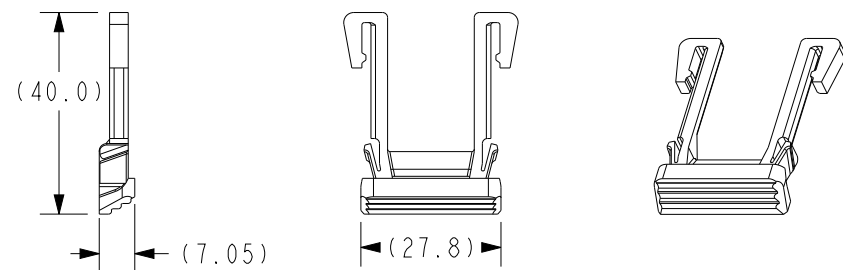
FRH-A12-MB-C1  
BRACKET - PDM, FRH, 90° BENT, ZINC STEEL



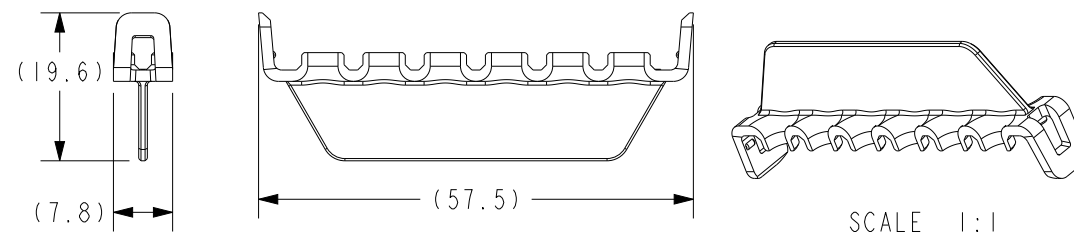
FRH-A12-MB-C2  
BRACKET - PDM, FRH, 90° BENT, STAINLESS 304



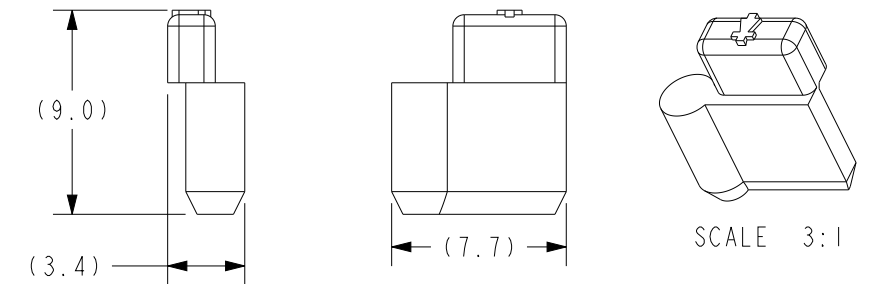
FRH-A-CPA  
CPA - PDM, FRH



FRH-A12-T  
TPA - PDM, FRH



PDM-TK  
DIODE KEY



<b>GEP</b> POWER PRODUCTS		16830 Pheasant Drive Brookfield, WI 53005			
PART NO:	FRH-A24 PDM FAMILY (SALES)				
DESCRIPTION:	FRH-A24 PDM FAMILY (SALES)				
CUSTOMER:	STANDARD				
METRIC (MM)	REV 1	SHEET 3 OF 3	SCALE 1:1.5	SIZE B	