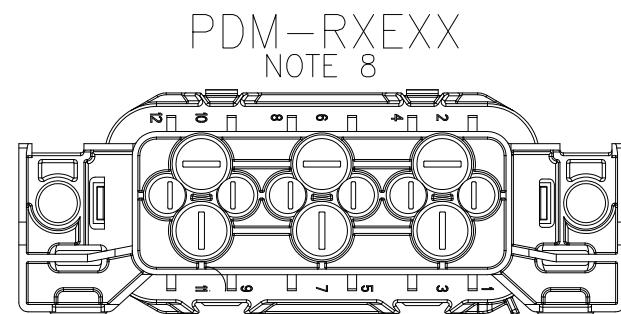
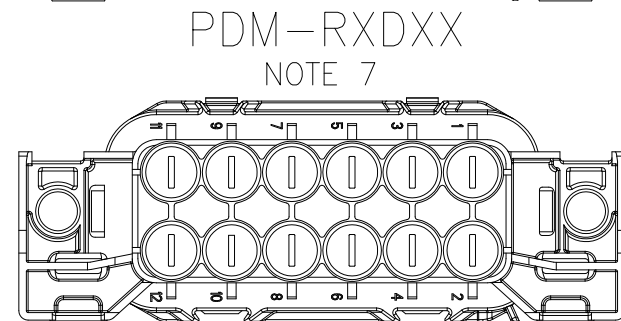
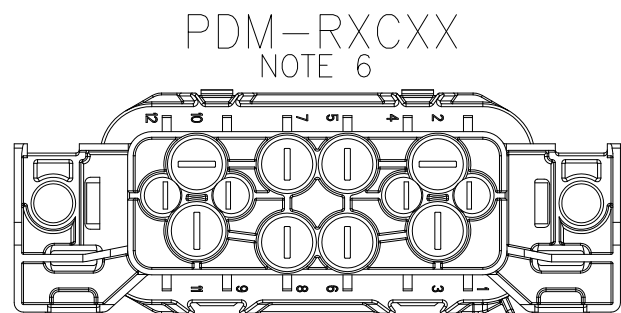
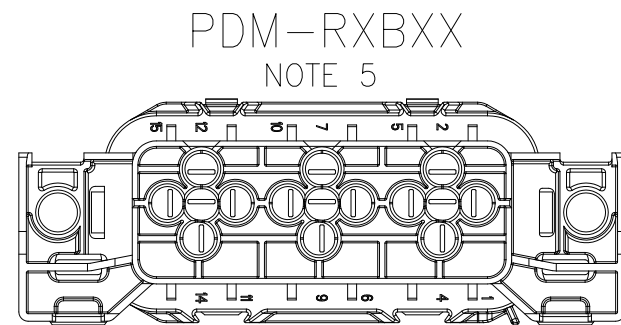
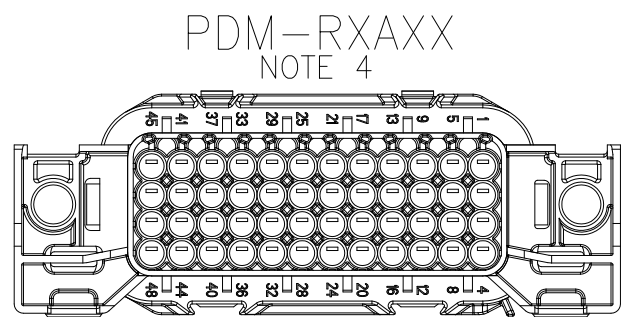
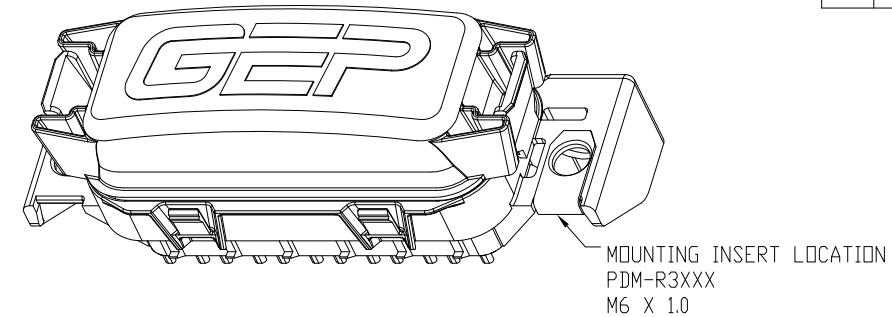


PDM-RXXXX-XXX

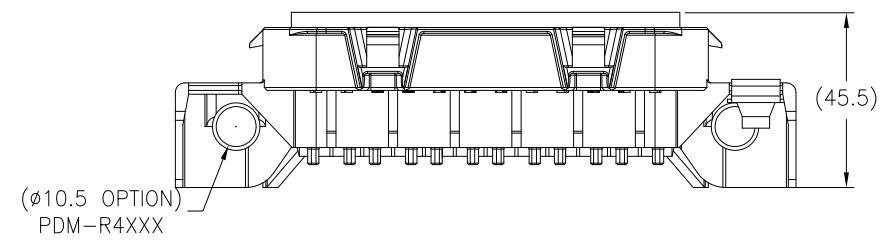
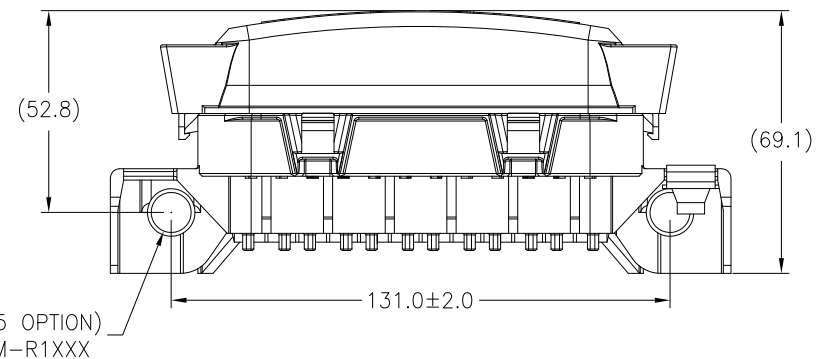
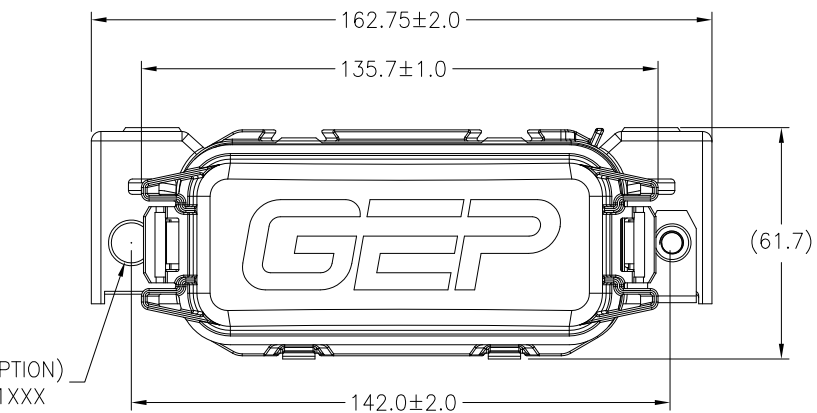
- SPECIAL (CONSULT FACTORY)
OMIT IF NONE
- SEAL OPTION
0-NO SEAL
1-SEAL
- COVER / TETHER OPTION
0-NO COVER / NO TETHER
A-STANDARD (GEP LOGO) COVER / NO TETHER
B-STANDARD (GEP LOGO) COVER / TETHER
C-PLAIN COVER / NO TETHER
D-PLAIN COVER / TETHER
- COMPONENT INSERT
A-(48) 280 SERIES TERMINAL POSITIONS
B-(3) MINI ISO RELAY
C-(2) MAXI ISO RELAY & (2) MAXI FUSE
D-(6) MAXI FUSE
E-(3) MAXI ISO RELAY
- MOUNTING
1-SIDE/TOP MOUNT 6.5MM
2-SIDE MOUNT W/INSERT
3-TOP MOUNT W/INSERT
4-SIDE/TOP MOUNT 10.5MM

MOUNTING OPTIONS: PDM-R1XXX
PDM-R2XXX
PDM-R3XXX
PDM-R4XXX

PART NO. PDM-RXXXX (SALES)		PAGE 1 OF 3	
TITLE POWER DISTRIBUTION MODULE - MODEL R			
CUSTOMER STANDARD			
METRIC (mm)		SCALE 1:2	
REV #	REVISION	DATE	BY APPROVED
0	RELEASE FOR PRODUCTION	09-17 2014	RR KS



TERMINAL NUMBERING



- NOTES:
- BLOCK & COVER MATERIAL: PBT POLYESTER
 - BLOCK & COVER FINISH/COLOR: MATTE/BLACK
 - SEAL COLOR: BLUE
 - PDM-RXAXX USES 280 SERIES TERMINALS:
DELPHI METRI-PACK 280 SERIES - TANG VERSION (TABLE A - SHEET 3)
 - PDM-RXBXX USES 630 SERIES TERMINALS:
DELPHI METRI-PACK 630 SERIES (TABLE B - SHEET 3)
 - PDM-RXCXX USES:
DELPHI METRI-PACK 630 TERMINALS CAVITIES 1,4,9,12 (TABLE B, SHEET 3)
DELPHI DUCON 9.5 TERMINALS CAVITIES 2,3,10,11 (TABLE C, SHEET 3)
LEAR MAK8 TERMINALS
CAVITIES 5,6,7,8 (TABLE D, SHEET 3)
 - PDM-RXDXX USES 950 SERIES TERMINALS:
LEAR MAK8 TERMINALS (TABLE D, SHEET 3)
 - PDM-RXEXX USES:
DELPHI METRI-PACK 630 TERMINALS CAVITIES 1,4,5,8,9,12 (TABLE C, SHEET 3)
DELPHI DUCON 9.5 TERMINALS
CAVITIES 2,3,6,7,10,11 (TABLE E, SHEET 3)
 - CORRECT TERMINAL SEALS AND/OR CAVITY PLUGS MUST BE USED TO INSURE A SEALED UNIT
REFER TO SHEET 3
 - RECOMMENDED MAXIMUM MOUNTING TORQUE: 40IN.-LBS



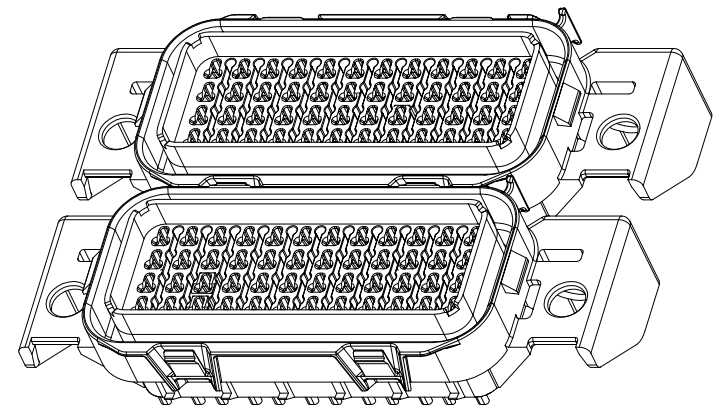
16830 Pheasant Drive
Brookfield, WI 53005

CONFIDENTIAL - The information contained in this document is the property of GEP Power Products. It is not for public disclosure. Possession of the information does not convey any right to loan, sell or disclose the information. Unauthorized reproduction or use of the information is prohibited. This document is to be returned to GEP Power Products upon completion of the purpose for which it is loaned or upon request.

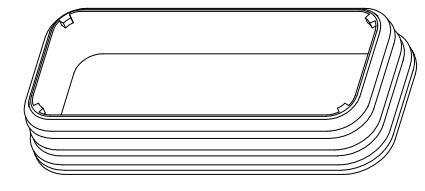
COPYRIGHT - GEP Power Products
This is an unpublished work. The disclosure of this work is limited to a select personnel. Further dissemination or disclosure to the public is PROHIBITED. This unpublished work is protected by Federal Copyright law and all rights thereunder are reserved by GEP Power Products.

TOLERANCES UNLESS OTHERWISE SPECIFIED		THIRD ANGLE PROJECTION
METRIC TOL	ENGLISH TOL	
1 PL DEC.=±.25	2 PL DEC.=±.01	ANGULAR TOL= ±2° FRACTION TOL= ± 1/64 IN
2 PL DEC.=±.13	3 PL DEC.=±.005	

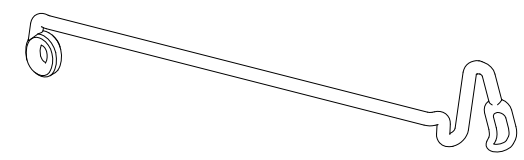
"GANGED" OPTIONS



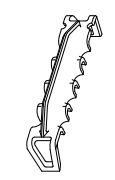
PDM-TC
COVER



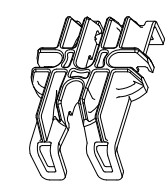
PDM-RS
BLUE SEAL



PDM-TCT
TETHER



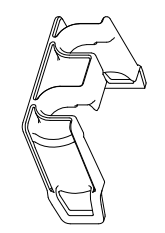
PDM-TT1
280 TPA
USED ON PDM-RXA (6 PER ASSY)



PDM-TT2
ISO RELAY TPA
USED ON PDM-RXB (3 PER ASSY)



PDM-TT3
MAXI ISO RELAY TPA
USED ON PDM-RXC (2 PER ASSY)
USED ON PDM-RXE (3 PER ASSY)



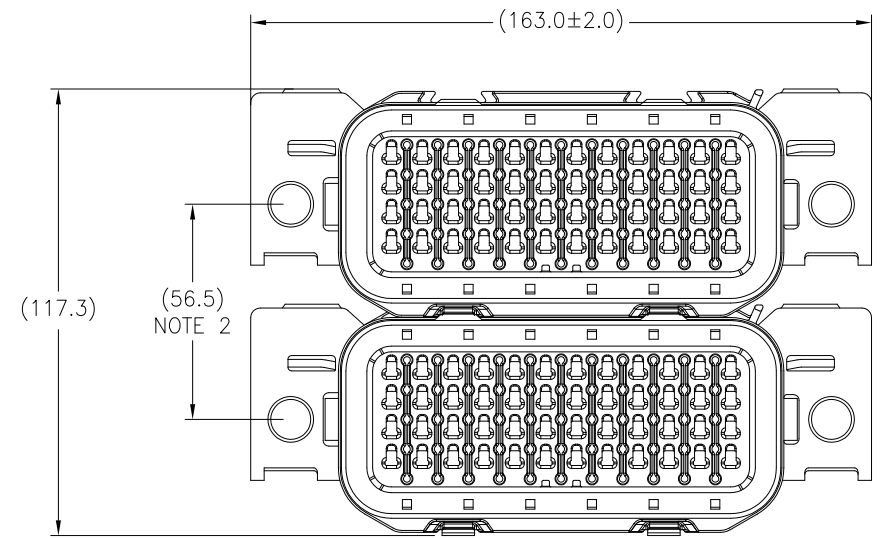
PDM-TT4
MAXI FUSE TPA
USED ON PDM-RXC (2 PER ASSY)
USED ON PDM-RXD (6 PER ASSY)

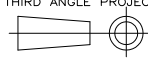


PDM-TK
DIODE KEY



PDM-TMC
MOUNTING CLIP



TOLERANCES UNLESS OTHERWISE SPECIFIED		THIRD ANGLE PROJECTION 
METRIC TOL	ENGLISH TOL	
1 PL DEC.=±.25	2 PL DEC.=±.01	ANGULAR TOL= ±2° FRACTION TOL= ± 1/64 IN
2 PL DEC.=±.13	3 PL DEC.=±.005	

NOTES:
1. DIMENSIONS ARE FOR REFERENCE ONLY
2. IF ADDITIONAL MODULES ARE ADDED THESE DIMENSIONS INCREASE BY (56.5mm) FOR EACH MODULE.

TABLE A

TERMINALS / SEALS FOR PDM-RXAXX (FOR REF. ONLY)				
DELPHI 280 METRI-PACK TERMINALS				
PART #	RANGE (mm2)	MATERIAL	PLATING	
12077413	5.0	TIN BRASS	TIN	
12129493	2.0-3.0	TIN BRASS	TIN	
12077411	0.8-1.0	TIN BRASS	TIN	
12084201	0.35-0.50	TIN BRASS	TIN	
12176387	5.0	BERYLIUM COPPER	SILVER/NICKEL	
12176388	2.0-3.0	BERYLIUM COPPER	SILVER/NICKEL	
12176389	0.8-1.0	BERYLIUM COPPER	SILVER/NICKEL	
DELPHI 280 METRI-PACK CABLE SEALS (FOR REF. ONLY)				
PART #	PART #	CABLE DIA	MATERIAL	COLOR
REEL	LOOSE			
12015360	12015193	3.45-4.3	SILICONE	BLUE
12015359	12010293	2.81-3.49	SILICONE	LT. GRAY
12015284	12015323	2.03-2.85	SILICONE	GREEN
12041352	12041351	2.03-2.42	SILICONE	TAN
12089444	12089679	1.6-2.15	SILICONE	PURPLE
12034365	12015899	1.29-1.70	SILICONE	DK. RED
	12010300	PLUG	SILICONE	GREEN

TABLE B

TERMINALS / SEALS FOR PDM-RXBXX (FOR REF. ONLY)				
DELPHI 630 METRI-PACK TERMINALS				
PART #	RANGE (mm2)	MATERIAL	PLATING	
15317331	4.00-6.00	TIN BRASS	TIN	
12052456	3.00-5.00	TIN BRASS	TIN	
12052455	1.00-2.00	TIN BRASS	TIN	
12052457	0.50-0.80	TIN BRASS	TIN	
15317332	4.00-6.00	BERYLIUM COPPER	SILVER/NICKEL	
15305232	3.00-5.00	BERYLIUM COPPER	SILVER/NICKEL	
DELPHI CABLE SEALS (FOR REF. ONLY)				
PART #	PART #	CABLE DIAMETER	MATERIAL	COLOR
REEL	LOOSE			
15344644	15363779	1.20-2.00	SILICONE	YELLOW
* 12052931	12052930	1.60-2.15	SILICONE	YELLOW
	15327998	2.00-2.70	SILICONE	BLUE
* 12048433	12048441	2.00-2.90	SILICONE	WHITE
15344645	15363604	2.00-2.90	SILICONE	WHITE
* 12052452	12048442	2.80-3.90	SILICONE	DK. RED
15337204	15327864	2.80-3.80	SILICONE	DK. RED
15344646	15363605	3.60-4.50	SILICONE	GREEN
10733034	10733145	4.40-5.10	SILICONE	GRAY
15344104	15344647	4.40-5.10	SILICONE	GRAY
	12066082	PLUG	SILICONE	LT. GREEN

TABLE C

TERMINALS / SEALS FOR PDM-RXCXX & PDM-RXEXX (FOR REF. ONLY POWER RELAY)				
DELPHI 9.5 DUCON TERMINALS				
PART #	CABLE RANGE (mm2)	MATERIAL	PLATING	
15327010	4.0-6.0		TIN	
15482568	4.0-6.0		SILVER/TIN	
10730408	10.0		TIN	
15408423	10.0		SILVER/TIN	
15458196	16.0		TIN	
15458198	16.0		SILVER/TIN	
DELPHI 9.5 DUCON CABLE SEALS (FOR REF. ONLY)				
PART #	PART #	CABLE DIAMETER	MATERIAL	COLOR
REEL	LOOSE			
	15492996	2.20-3.00	SILICONE	BLUE
	15327126	3.4-4.3	SILICONE	DK. RED
	10720983	6.00-6.40	SILICONE	GREEN
	15470809	6.50-7.75	SILICONE	RED
	10720907	PLUG	SILICONE	GREEN
GEP CABLE SEALS - 9.5 DUCON (FOR REF. ONLY)				
PART #	CABLE DIA	MATERIAL	COLOR	
	PDM-TWS-D4	4.6-5.3	SILICONE	LIGHT BLUE
DELPHI 630 METRI-PACK CABLE SEALS (FOR REF. ONLY)				
PART #	RANGE (mm2)	MATERIAL	PLATING	
15317331	4.00-6.00	TIN BRASS	TIN	
12052456	3.00-5.00	TIN BRASS	TIN	
12052455	1.00-2.00	TIN BRASS	TIN	
12052457	0.50-0.80	TIN BRASS	TIN	
15317332	4.00-6.00	BERYLIUM COPPER	SILVER/NICKEL	
15305232	3.00-5.00	BERYLIUM COPPER	SILVER/NICKEL	
DELPHI 630 METRI-PACK CABLE SEALS (FOR REF. ONLY)				
PART #	PART #	CABLE DIA	MATERIAL	COLOR
REEL	LOOSE			
10730240	15324997	1.65-2.15	SILICONE	TAN
15344951	15324995	2.01-2.85	SILICONE	DK. RED
10730241	15324994	2.81-3.75	SILICONE	GRAY
15344032	15324996	3.61-4.50	SILICONE	BLUE
	15324993	4.40-5.10	SILICONE	GREEN
* 12077760	12077759	1.65-2.15	SILICONE	TAN
* 12059259	12052388	2.01-2.85	SILICONE	DK. RED
* 12059258	12052387	2.81-3.75	SILICONE	GRAY
* 12059260	12052668	3.61-4.50	SILICONE	BLUE
* 12059257	12052386	4.40-5.10	SILICONE	GREEN
	12059255	PLUG	SILICONE	LT. GREEN

TABLE D

TERMINALS / SEALS FOR PDM-RXCXX & PDM-RXDXX (MAXI FUSE)				
LEAR MAK8 TERMINALS (FOR REF. ONLY)				
PART #	RANGE (mm2)	MATERIAL	PLATING	
28224 306 179	2.5-4.0		TIN	
28224 306 710	2.5-4.0		SILVER	
28469 306 189	2.5-4.0		SILVER/TIN	
28225 306 179	6.0-10.0		TIN	
28225 306 710	6.0-10.0		SILVER	
28459 306 189	6.0-10.0		SILVER/TIN	
28243 306 179	10.0-16.0		TIN	
28243 306 710	10.0-16.0		SILVER	
GEP CABLE SEALS (VARIATION 1 - LONG)				
PART #	CABLE DIA	MATERIAL	COLOR	
	PDM-TWS-L1	2.7-3.0	SILICONE	GREEN
	PDM-TWS-L2	3.4-3.8	SILICONE	PURPLE
	PDM-TWS-L3	4.0-4.5	SILICONE	ORANGE
	PDM-TWS-L4	4.6-5.3	SILICONE	LIGHT BLUE
	PDM-TWS-L5	5.8-6.6	SILICONE	GREY
	PDM-TWS-L6	6.5-7.8	SILICONE	RED
GEP CABLE SEALS (VARIATION 3 - SHORT)				
PART #	CABLE DIA	MATERIAL	COLOR	
	PDM-TWS-S1	2.7-3.0	SILICONE	GREEN
	PDM-TWS-S2	3.4-3.8	SILICONE	PURPLE
	PDM-TWS-S3	4.0-4.5	SILICONE	ORANGE
	PDM-TWS-S4	4.6-5.3	SILICONE	LIGHT BLUE
	PDM-TWS-S5	5.8-6.6	SILICONE	GREY
GEP CABLE SEAL PLUG				
PART #	CABLE DIA	MATERIAL	COLOR	
	PDM-TWS-P	N.A.	SILICONE	YELLOW



16830 Pheasant Drive
Brookfield, WI 53005

CONFIDENTIAL - The information contained in this document is the property of GEP Power Products. It is not for public disclosure. Possession of the information does not convey any right to loan, sell or disclose the information. Unauthorized reproduction or use of the information is prohibited. This document is to be returned to GEP Power Products upon completion of the purpose for which it is loaned or upon request.

COPYRIGHT - GEP Power Products
This is an unpublished work. The disclosure of this work is limited to a select personnel. Further dissemination or disclosure to the public is PROHIBITED. This unpublished work is protected by Federal Copyright law and all rights thereunder are reserved by GEP Power Products.

TOLERANCES UNLESS OTHERWISE SPECIFIED	
METRIC TOL	ENGLISH TOL
1 PL DEC.=±.25	2 PL DEC.=±.01
2 PL DEC.=±.13	3 PL DEC.=±.005

THIRD ANGLE PROJECTION
ANGULAR TOL= ±2° FRACTION TOL= ± 1/64 IN

NOTES:

- * PARTS ARE 'ACTIVE', BUT WITH RESTRICTED USAGE.
- AVAILABILITY OF INDIVIDUAL PART NUMBERS NEEDS TO BE VERIFIED WITH THE TERMINAL MANUFACTURER.