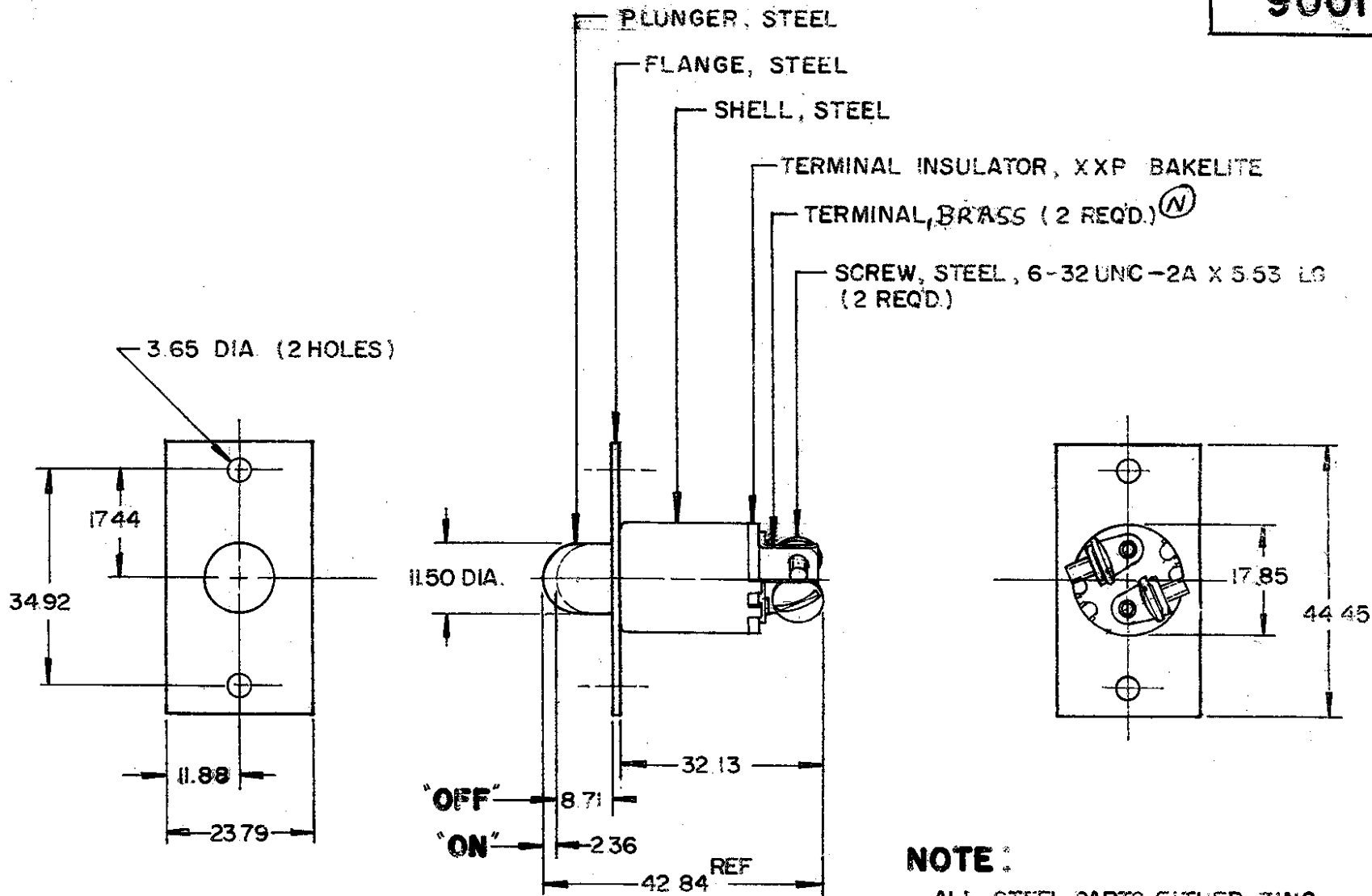


9001



NOTE:
 ALL STEEL PARTS EITHER ZINC PLATE WITH DICHROMATE DIP OR CADMIUM PLATE.

METRIC

CONFIDENTIAL PROPERTY OF COLE HERSEE

DO NOT SCALE

LET	WAS	DATE	BY	LET	WAS	DATE	BY	MATERIAL	DRAWN	CHECKED	APPR'D.	SCALE	DATE DRAWN
								//	R M	11-3-78		1:1	8 - 23 - 51
								FINISH	Cole Hersee Co. 20 OLD COLONY AVENUE, SOUTH BOSTON, MA, U.S.A. 02117				DATE BLUEPRINT
								//					
								TOLERANCES	DOOR SWITCH				9001
								FRACTIONAL ±					
								DECIMAL ±					

100	
105	1.44
110	2.18
115	3.42
120	4.55
125	5.68
130	6.81
135	7.93
140	9.06
145	1.265
150	1.375
155	1.687
160	1.750

CL-1881(4-78)