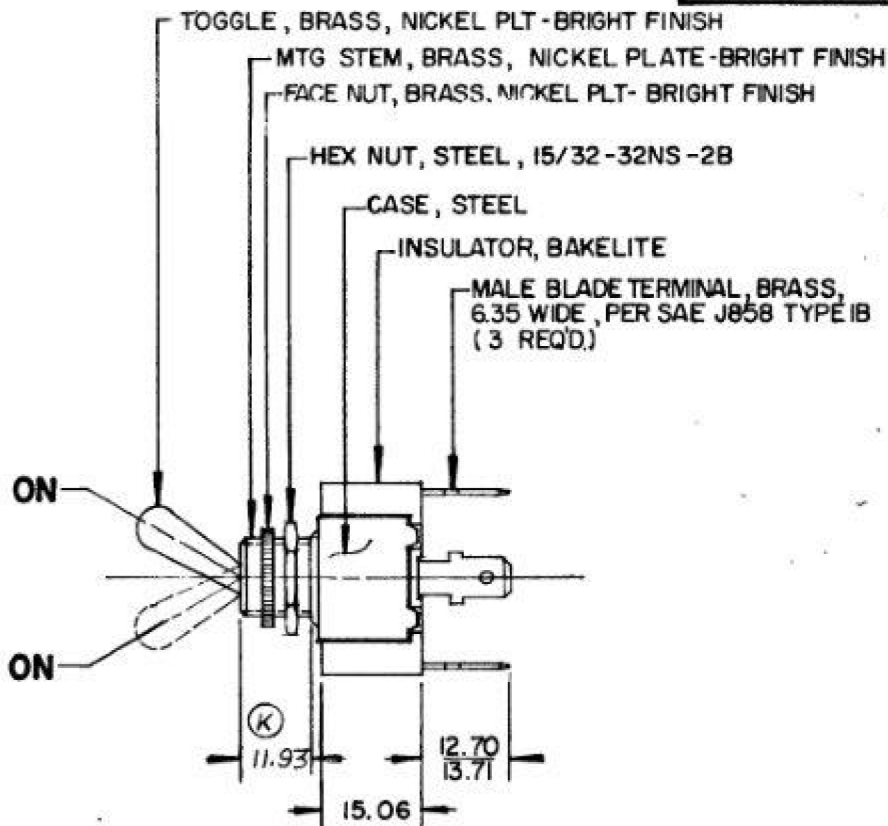
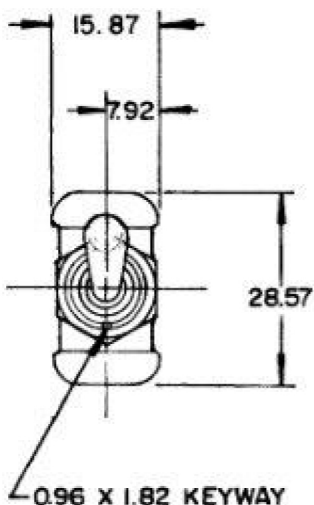


55015

RATING:

10 AMPS @ 250 V. A. C.
 15 AMPS @ 125 V. A. C.
 25 AMPS @ 12 V. D. C.



NOTE

- 1. ALL STEEL PARTS EITHER ZINC PLATE WITH DICHROMATE DIP OR CADMIUM PLATE
- 2. SILVER CONTACT SURFACES

METRIC

DO NOT SCALE

LET	WAS	DATE	BY	LET	WAS	DATE	BY	MATERIAL	DRAWN	CHECKED	APPRV D	SCALE	DATE DRAWN
								+	PLB	53-79		1:1	9 - 6 - 56
								+	Cole Hersee Co. <small>SOLELY BY APPOINTMENT SOUTH BOSTON, MASS. U.S.A. 02107</small>				DATE BLUEPRINT
				L	ADD NOTE / 25932	7/15/93	TGH						
				K	531/21279	1-21-81	Ⓢ	TOLERANCES	SP-DT TOGGLE SWITCH				55015
				J	REDRAWN	5-2-79	JV	DECIMAL ± 0.25 METRIC ± 0.25					

CH-188(4-78)