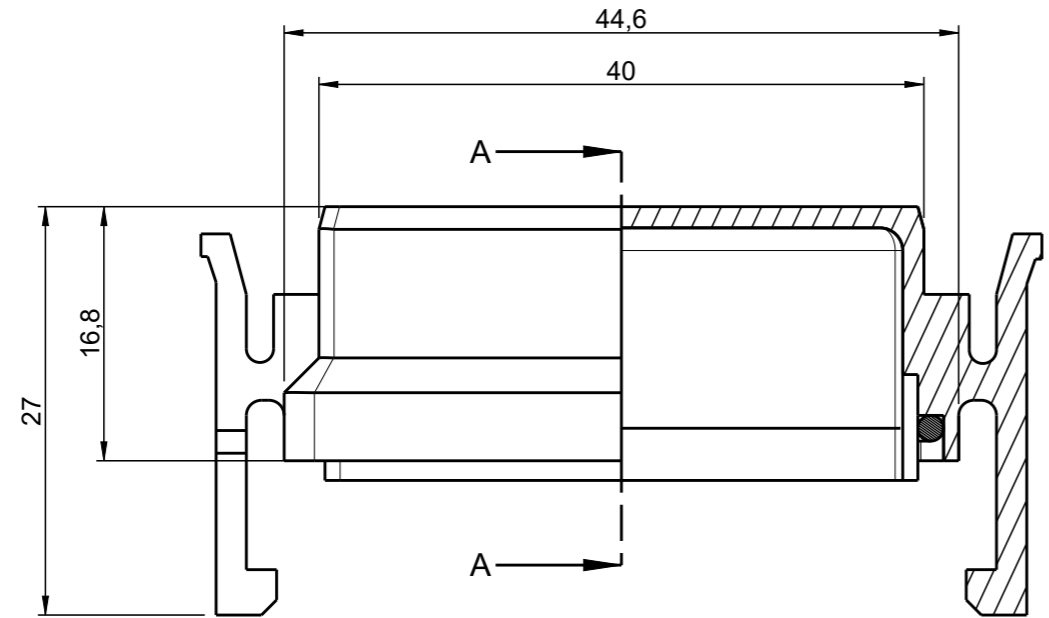
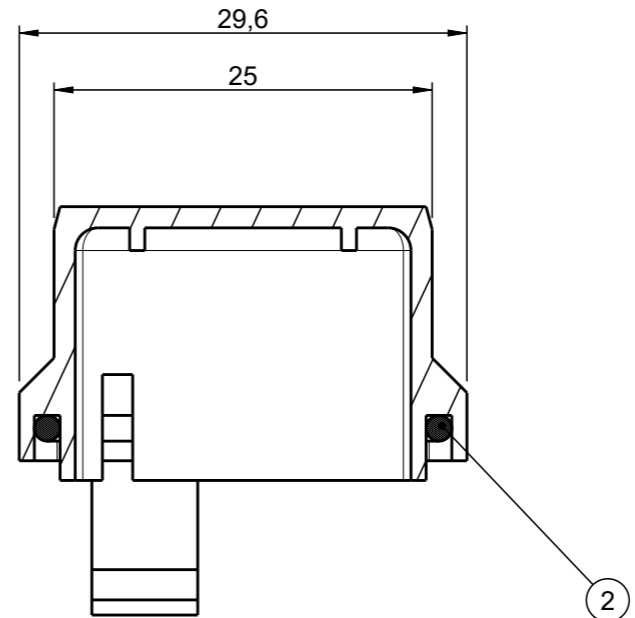


SPECIAL CHARACTERISTICS (IO 515)			
REPORT	⊙	CRITICAL	⊙
No.	SC	AREA	VALUE
01	-	-	-

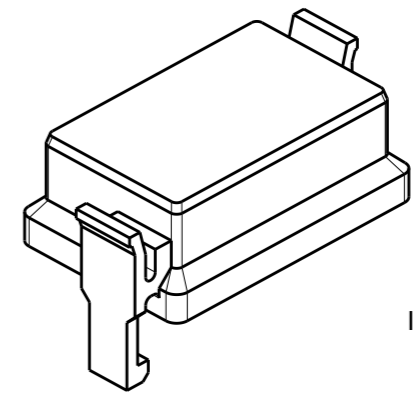
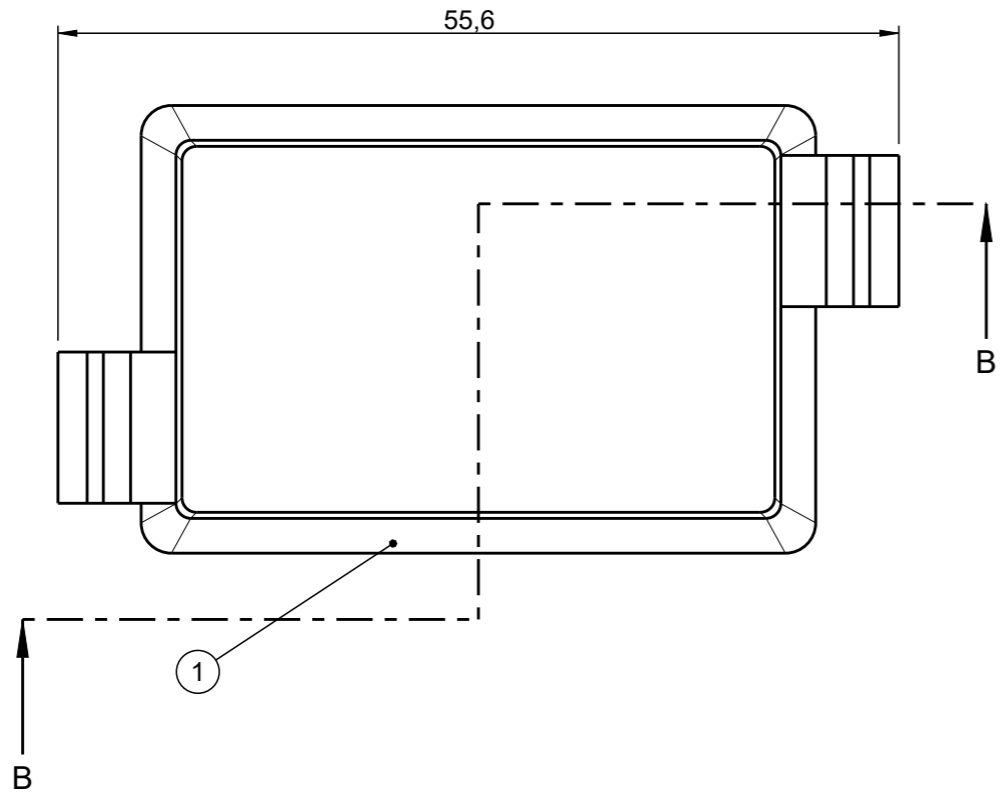
REVISION HISTORY			
REV.	DESCRIPTION	NAME	DATE
0	FIRST ISSUE	J.LOCATELLI	16.07.18
-	-	-	-



SECTION B-B



SECTION A-A



ISOMETRIC VIEW
SCALE 1:1

UNCONTROLLED COPY
in case of drawing updating/revision
NO AUTOMATIC
resubmission will follow

2	1	GASKET	NBR 70 - BLACK COLOR
1	1	COVER	PA12 V2 - TRANSPARENT
POS.	Q.TY	DENOMINATION	MATERIAL

MTA		MTA P/N	0300612	Denom.	COVER FUSE BOX UNIVAL 4WAY		
		Draw No.	B0-111.H04A	Used for	-		
		Draw for	CUSTOMER	Material	SEE TABLE		
Draft.	18.07.18	J.LOCATELLI		Coating	-		
Chk	-	-		Colour	SEE TABLE		
Verif.	18.07.18	F.ZIMMITTI		Note			
PQApp	20.07.18	M.ROSSI					
App.	26.07.18	G.SPATARO					
		Scale	2:1	Weight(g)	~8	Lin.Tol.±	0.5
		Sheet	1/1	Ang.Tol.±	1	Dimensions in (mm)	
			A3	CAD Software PTC Creo			

REV. 0 All proprietary rights reserved by MTA S.p.A. - This drawing shall not be reproduced, or in any way utilized, for the manufacture of the component or unit herein illustrated and must not be released to other parties, without written consent. Any infringement will be legally pursued.