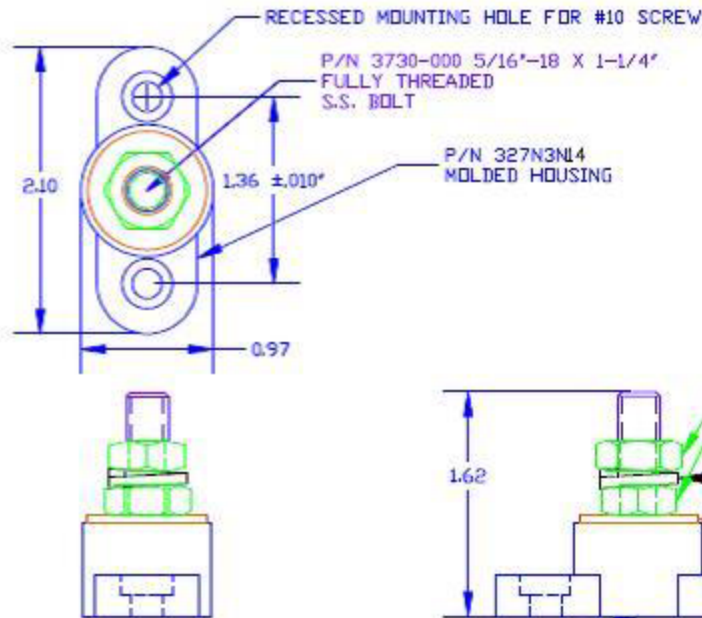
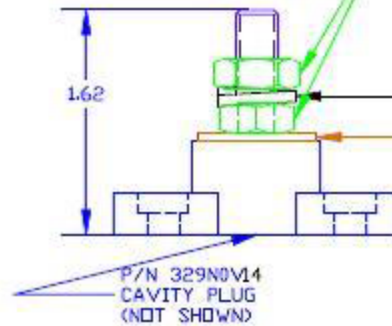


LTR.	REVISIONS	DATE
A	ADDED MATERIAL AND PERFORMANCE NOTES	22JAN04
B	REVISED PERFORMANCE NOTES	23FEB04
C	3843-002 WAS 3843	19MAY05
D	ADDED OPTIONAL CONSTRUCTION NOTE AND -000 SUFFICES	04APR06



P/N 3843-001 5/16"-18 STAINLESS STEEL
HEAVY JAM NUT 2 PLCS.
BOTTOM NUT FACTORY
ASSEMBLED TO 12 FT./LBS. (144 IN./LBS.)
OPTIONAL CONSTRUCTION: P/N 3843-000 5/16"-18
TIN PLATED BRASS JAM NUT 2 PLCS.
BOTTOM NUT FACTORY
ASSEMBLED TO 12 FT./LBS. (144 IN./LBS.)

P/N 3642-000 5/16" STAINLESS STEEL
SPRING WASHER
P/N 3645-000 5/16" STAINLESS STEEL
FLAT WASHER



OPTIONAL CONSTRUCTION NOTE:
COLOR OF BOLT CAVITY PLUG
ON BOTTOM OF ASSEMBLY MAY VARY

TOLERANCE UNLESS OTHERWISE SPECIFIED: $\pm 0.030"/\pm 0.8mm$
RADIAL DIAMETERS TO BE MEASURED OVER MANDRELS,
RING GAGES OR PIN GAGES OF SUITABLE SIZE

BASE MATERIAL: GLASS-REINFORCED NYLON
BASE MATERIAL U.L. RATING: 94 HB
DIELECTRIC STRENGTH: 630 VOLTS/MIL PER ASTM D149
CURRENT RATING: 250 AMPS
TEMP. RISE AT LOAD: 46 DEG. F.
MAXIMUM RECOMMENDED TORQUE: 10 FT./LBS. (120 IN./LBS.)

DO NOT
SCALE

REF:	DATE:	DRN BY:	BRH	WEIGHT:
****	09APR03	CHK'D BY:	BRH	****
TITLE: 5/16" SMALL JUNCTION STUD				SCALE:
MATERIAL:			PART NO.	
COLOR: BLACK	DRG CLASS: *****			