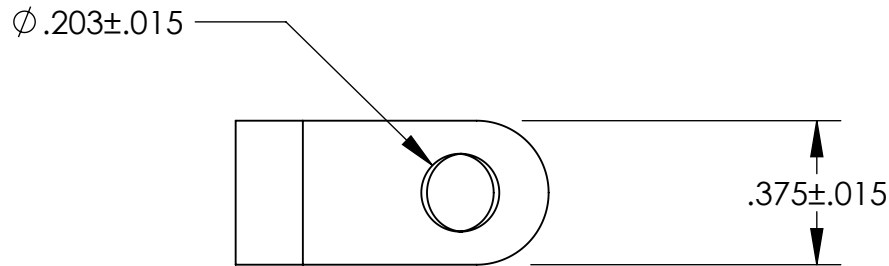
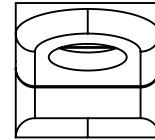
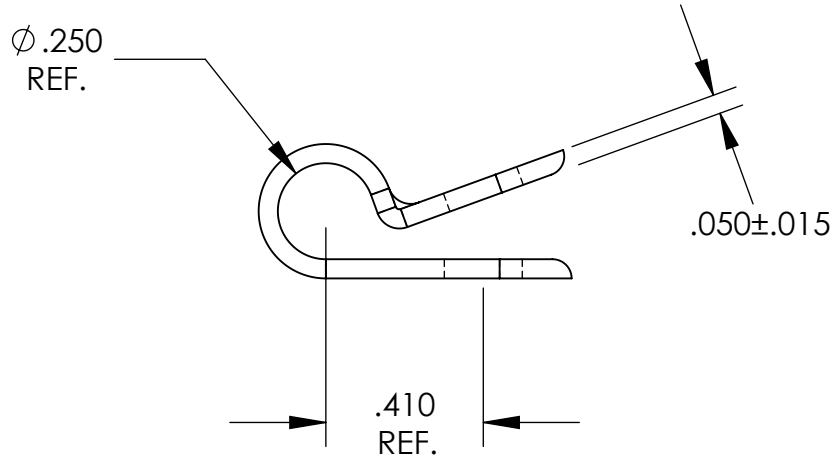


UNCONTROLLED DOCUMENT



Uncontrolled Document
 Last Revision: 09.15.2021

TOLERANCES UNLESS NOTED

- $\pm .005$ ON DIMENSIONS THRU $.625$
- $\pm .008$ ON DIMENSIONS $.626$ THRU 1.000
- $\pm .010$ ON DIMENSIONS 1.001 THRU 1.500
- $\pm .015$ ON DIMENSIONS LARGER THAN 1.500
- $\pm .015$ ON FRACTIONAL DIMENSIONS

WE RESERVE THE RIGHT
 TO DISCONTINUE ITEMS,
 CHANGE SPECIFICATIONS
 OR DESIGN AT ANY TIME
 WITHOUT NOTICE AND
 WITHOUT INCURRING
 ANY OBLIGATIONS

PROPERTY OF
MICRO PLASTICS INC.

CATALOG DRAWING
 STANDARD CABLE CLAMP
 MICRO P/N 22CC37D0250
 DWG. # 22CC37D0250
 FILE SERVER\ENG\WEB

MATERIAL: 6/6 NYLON

DATE	SCALE 2:1	DSB
------	--------------	------------