

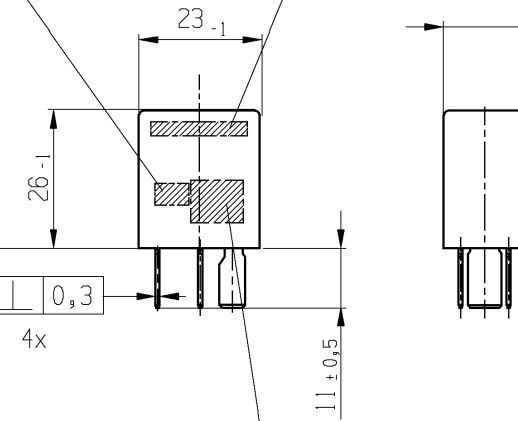
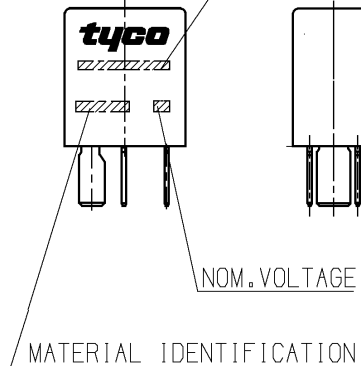
DEGREE OF PROTECTION ACC. TO IEC529 = DIN 40 050 Teil 9

TERMINALS IP 20
 HOUSING IP 5K4
 IN CONNECTION WITH A SOCKET HOUSING
 MOUNTING POSITION: TERMINALS SHALL POINT DOWNWARDS
 FOR ALL OTHER POSITIONS PROTECTION GROUP IP 20 IS VALID

DESIGNATION OF ORIGIN

DATE OF MANUFACTURE

PART NUMBER



WIRING DIAGRAM

PART	MATERIAL	COLOUR
HOUSING	PBT 30 ± 10 [%] GF	BLACK
BASE PLATE	PBT 30 ± 10 [%] GF	GREY

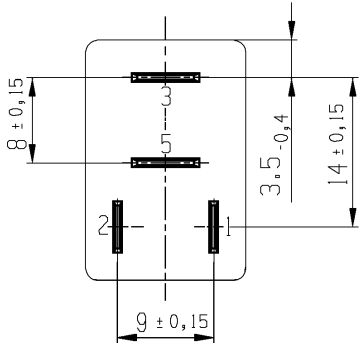
BLADE TERMINALS

- 1,2 : BLADE TERMINAL ISO 8092 4,8-0,8-CuZn
- 5 : BLADE TERMINAL ISO 8092 6,3-0,8-CuZn
- 3 : BLADE TERMINAL ISO 8092 6,3-0,8-St3 LG BK, TIN PLATED

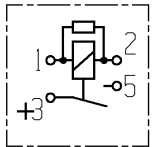
17 Other - Drawing

TERMINAL CONFIGURATION

2 : 1



WIRING DIAGRAM



OBSOLETE BOSCH P/N	TYCO P/N	REV	PART NUMBER	CUSTOMER P/N	CODE NO
0 332 011 007	0-1904004-3		V23374-A1601-X003		
	1-1904004-3				
	2-1904004-3				

PROPRIETARY
 THE REPRODUCTION, TRANSMISSION OR USE OF THIS DOCUMENT OR IT'S CONTENTS IS NOT PERMITTED WITHOUT EXPRESSED WRITTEN AUTHORITY. OFFENDERS WILL BE LIABLE FOR ALL DAMAGES. ALL RIGHTS, INCLUDING RIGHTS CREATED BY REGISTERED PATENTS GRANTED FOR A UTILITY MODEL OR DESIGN, ARE RESERVED.

CHANGES TO THIS DRAWING MUST BE DONE ONLY IN CAD

PAPER SIZE **A3**

APPLICABLE SPEC. :

FINISH

DIMENSIONS APPLY **NORMAL** PLATING

SCALE **1:1 2:1** WEIGHT **20g ± 2**

MATERIAL

PART NAME

DATE: 2006-05-24
 NAME: EVORA

tyco Electronics

**MICRO RELAY 3
 NORMALLY OPEN 12V**

PART NO. **V23374-A1601-X003-CD**

SHT. 1 OF 1

REV. CHANGE ORDER DATE APP.