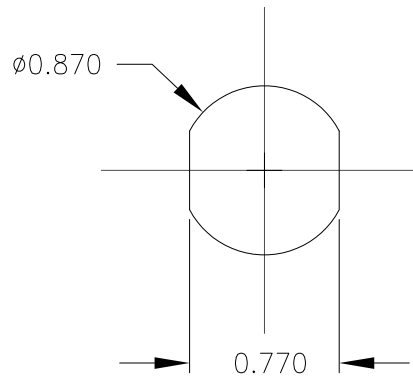
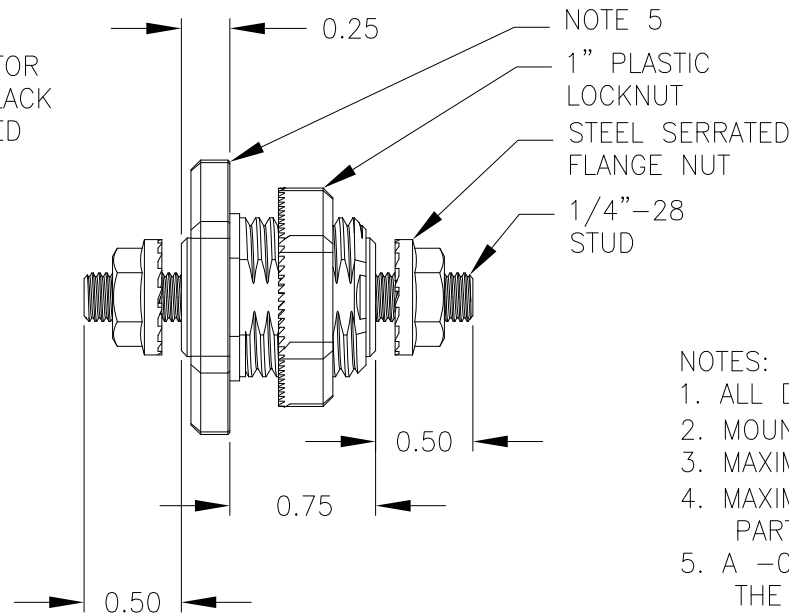
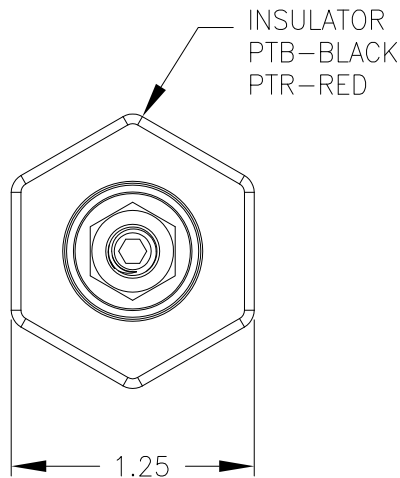


TYPICAL PANEL CUTOUT



PART NO. PTX-14D-05 (SALES)			
TITLE PASS-THRU (STYLE D) - 1/4"-28			
ENGLISH (IN)			SCALE FULL
REV #	REVISION	DATE	OK
X0	RELEASED FOR REVIEW	11-09 2015	

NOTE 6



NOTES:

1. ALL DIMENSIONS ARE FOR REFERENCE ONLY.
2. MOUNTING THREADS ARE 1/2" -14 NPSM.
3. MAXIMUM MOUNTING TORQUE-5 FT.LBS.
4. MAXIMUM TORQUE ON 1/4"-28 STUDS-5 FT.LBS.
5. PART TO BE RESTRAINED DURING TORQUE PROCEDURE
6. A -022 O-RING CAN BE USED TO SEAL THE UNIT TO THE MOUNTING SURFACE.



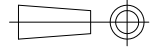
16830 Pheasant Drive
Brookfield, WI 53005

CONFIDENTIAL - The information contained in this document is the property of GEP Power Products. It is not for public disclosure. Possession of the information does not convey any right to loan, sell or disclose the information. Unauthorized reproduction or use of the information is prohibited. This document is to be returned to GEP Power Products upon completion of the purpose for which it is loaned or upon request.

COPYRIGHT - GEP Power Products
This is an unpublished work. The disclosure of this work is limited to a select personnel. Further dissemination or disclosure to the public is PROHIBITED. This unpublished work is protected by Federal Copyright law and all rights thereunder are reserved by GEP Power Products.

TOLERANCES UNLESS OTHERWISE SPECIFIED	
METRIC TOL	ENGLISH TOL
1 PL DEC.=±.25	2 PL DEC.=±.01
2 PL DEC.=±.13	3 PL DEC.=±.005

THIRD ANGLE PROJECTION



ANGULAR TOL= ±2°
FRACTION TOL= ± 1/64 IN