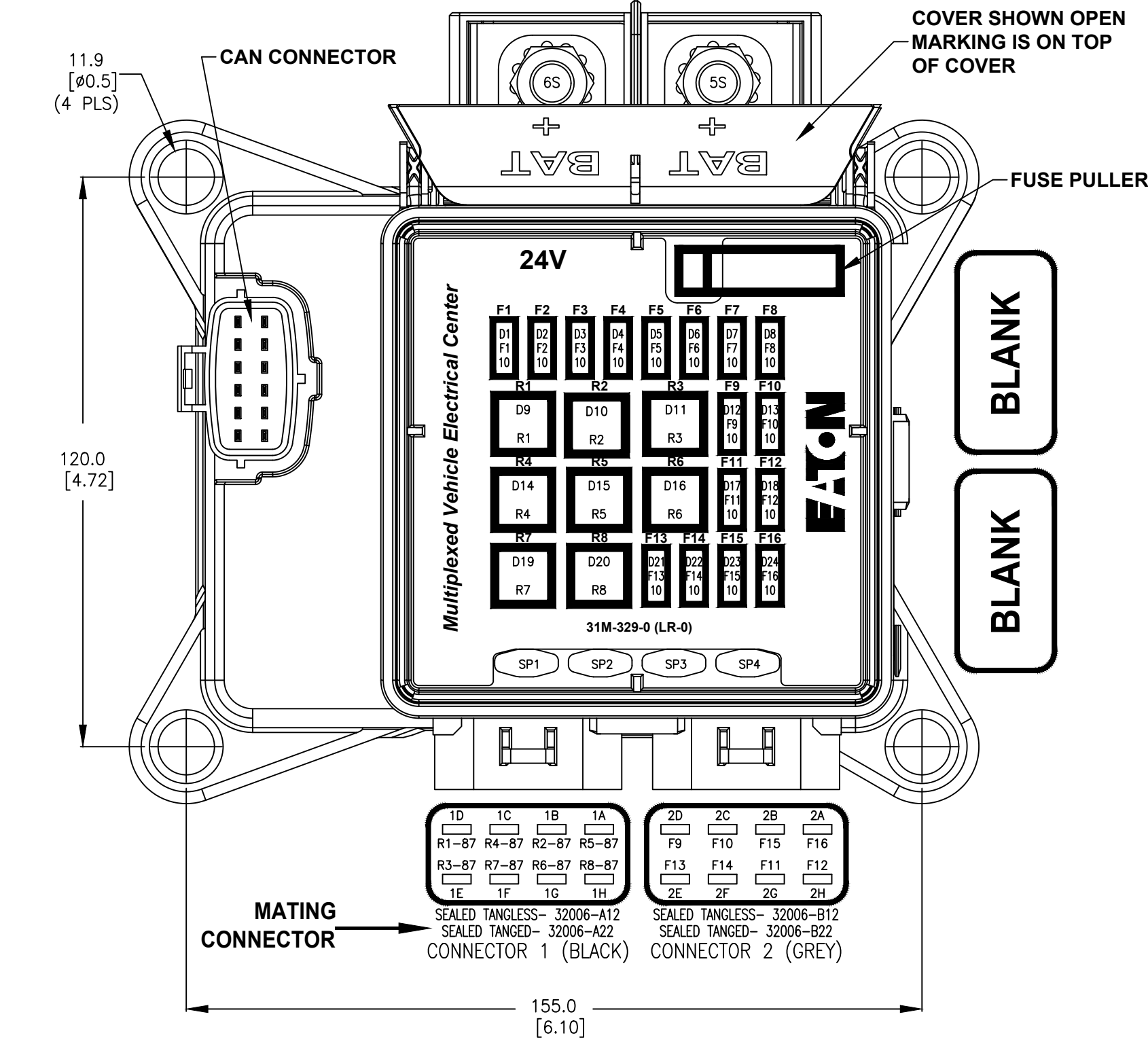
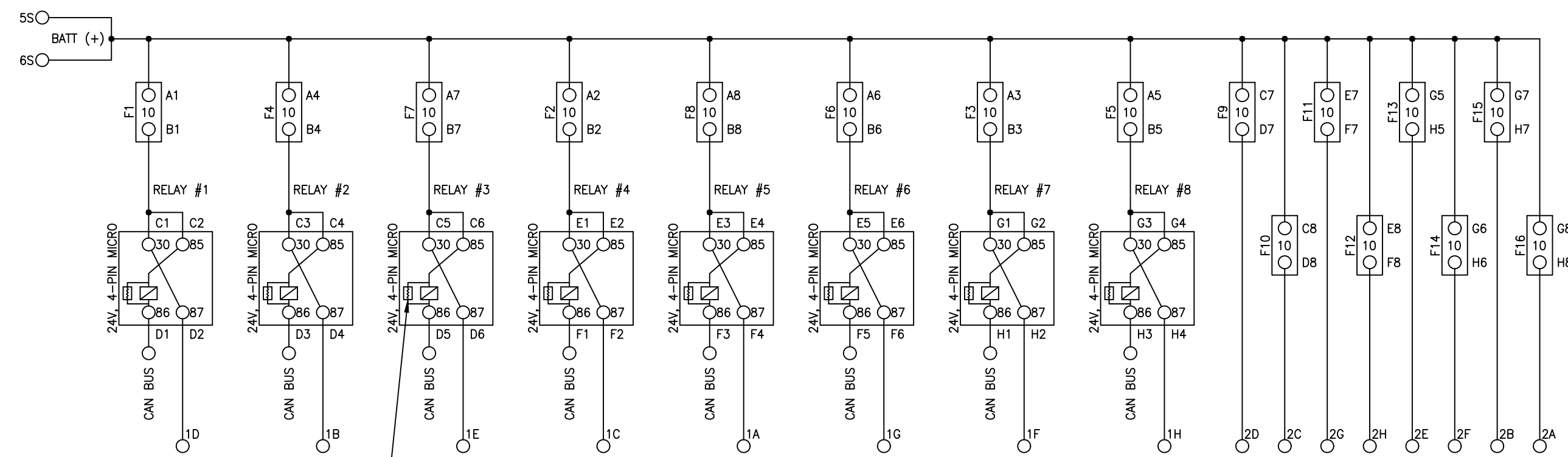


PART NO. 31M-329-0-SALES			
METRIC(mm)			
THIS IS A CAD DRAWING - DO NOT MANUALLY REVISE			
REV #	REVISIONS	DATE	APPR.
0	RELEASE FOR SALES. ECO-120987	05-11-2017	A.L
1	UPDATED DEVICE TABLES AND MOUNTING DIMENSIONS. ECO-145899	09-17-2018	A.L
3	CHANGED TO REV. 3 TO MATCH INTERNAL PART REVISION.	10-15-18	A.L
04	ADDED NOTE 7 & CAN CONNECTOR TABLE. CO-0225710	08-24-22	A.L
05	CHANGED THE 8 RELAY CONTROLLER WITH THE 12 RELAY CONTROLLER. CO-0530222	06-20-2023	A.L



DEVICE PLACEMENT		
POSITION	REFERENCE	DEVICE
D1	F1	MINI FUSE - 10A
D2	F2	MINI FUSE - 10A
D3	F3	MINI FUSE - 10A
D4	F4	MINI FUSE - 10A
D5	F5	MINI FUSE - 10A
D6	F6	MINI FUSE - 10A
D7	F7	MINI FUSE - 10A
D8	F8	MINI FUSE - 10A
D9	R1	24V, 4-PIN MICRO
D10	R2	24V, 4-PIN MICRO
D11	R3	24V, 4-PIN MICRO
D12	F9	MINI FUSE - 10A
D13	F10	MINI FUSE - 10A
D14	R4	24V, 4-PIN MICRO
D15	R6	24V, 4-PIN MICRO
D16	R6	24V, 4-PIN MICRO
D17	F11	MINI FUSE - 10A
D18	F12	MINI FUSE - 10A
D19	R7	24V, 4-PIN MICRO
D20	R8	24V, 4-PIN MICRO
D21	F13	MINI FUSE - 10A
D22	F14	MINI FUSE - 10A
D23	F15	MINI FUSE - 10A
D24	F16	MINI FUSE - 10A

CAN CONNECTOR	
PIN	FUNCTION
1	VBATT
2	PWR_REF
3	GND_POWER
4	ADDR_1
5	CAN_SHIELD
6	CAN_HI
7	IGNITION_LOW
8	IGNITION_HIGH
9	ADDR_2
10	ADDR_0
11	HS_OUTPUT
12	CAN_LO

SERVICEABLE PART		
DEVICE	PART #	RATING
4-PIN MICRO	B120-7026-SRV	24V, 15A NO
MINI FUSE	BK-ATM-10	10A
FUSE PULLER	32013BS	-
COVER	B151-7172-SRV	-

- SPECIFICATIONS:**
- RATING (MAXIMUM RATING):
    - 200A CAPACITY
    - 100A PER INPUT STUD (M8)
    - 30A PER OUTPUT TERMINAL
    - 100A PER OUTPUT CONNECTOR
  - MAXIMUM TORQUE:
    - M8 INPUT STUD: 216 IN-LBS (18 FT-LBS)
    - MOUNTING: 60 IN-LBS (5 FT-LBS)
  - OPERATING TEMPERATURE: -40°F (-40°C) TO 185°F (85°C)
  - INGRESS PROTECTION: APPLICATION DEPENDENT UP TO IP66 REQUIREMENTS
  - OUTPUT TERMINAL: DELPHI METRI-PACK 280 SERIES (SEALED TANG OR TANGLESS)
  - DELPHI METRI-PACK 280 SERIES CAVITY PLUGS ARE INSTALLED WHERE WIRES ARE NOT USED.
  - FOR INDUCTIVE LOADS (COILS, SOLENOIDS, MOTORS, ETC.) MUST HAVE CLAMPING/SUPPRESSION DEVICES.

MATERIAL		FINISH	
TOLERANCES UNLESS OTHERWISE SPECIFIED		THIRD ANGLE PROJECTION	
METRIC TOL	ENGLISH TOL	ANGULAR TOL = ± 2°	
1 PL DEC. = ± .25	2 PL DEC. = ± .01	FRACTION TOL = ± 1/64 IN	
2 PL DEC. = ± .13	3 PL DEC. = ± .005		
COPYRIGHT - Eaton This is an unpublished work. The disclosure of this work is limited to a select personnel. Further dissemination or disclosure to the public is PROHIBITED. This unpublished work is protected by Federal Copyright law and all rights thereunder are reserved by Eaton.			
CONFIDENTIAL - The information contained in this document is the property of Eaton. It is not for public disclosure. Possession of the information does not convey any right to loan, sell or disclose the information. Unauthorized reproduction or use of the information is prohibited. This information is to be returned to Eaton upon completion of the purposes for which it is loaned or upon request.		EATON Powering Business Worldwide	
TITLE: MULTIPLEXED VEHICLE ELECTRICAL CENTER EATON STANDARD 8 RELAYS/16 FUSES (24V)			
DRAWN BY A. LUU	ENG. / APPR. A. LUU	DATE 05-11-17	SCALE N/A
PART NO. 31M-329-0-SALES		SHEET 1 OF 1	

