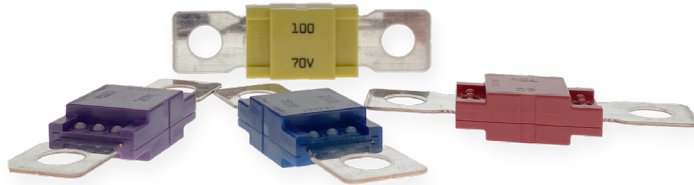


AMG series bolt in automotive fuses

**Catalog symbol:**

- AMG-(amp)
- BP/AMG-(amp)-RP
- BK/AMG-(amp)

Description:

Bussmann™ series AMG stud-mount

Specifications:**Ratings**

- Volts
 - 70 Vdc
- Amps
 - 60-500A
- Interrupting rating
 - 2,500 A @ 70 Vdc

Agency information

- RoHS
- ISO 20934

Operating temperature range

- -40°C to 120°C

Materials

- Housing materials
 - UL-Rated 94V-0 thermoplastic.
- Terminal material
 - Copper

Mounting

- M8 or 5/16-18 or less studs on 2.00 in (50.8mm) centers
- HMEG - Used up to 500A (Wiring can be 8 AWG to 1/0 AWG)

Marking

- Color-coded amperage ratings

*Consult factory for higher voltage fuses.



Powering Business Worldwide

Time-current Characteristic (80A-250A)

% of rating	Opening time	
	Minimum	Maximum
100	4 hrs	—
135	120 s	1800 s
150	20 s	450 s
200	1 s	15 s
350	0.3 s	5 s
600	0.02 s	1 s

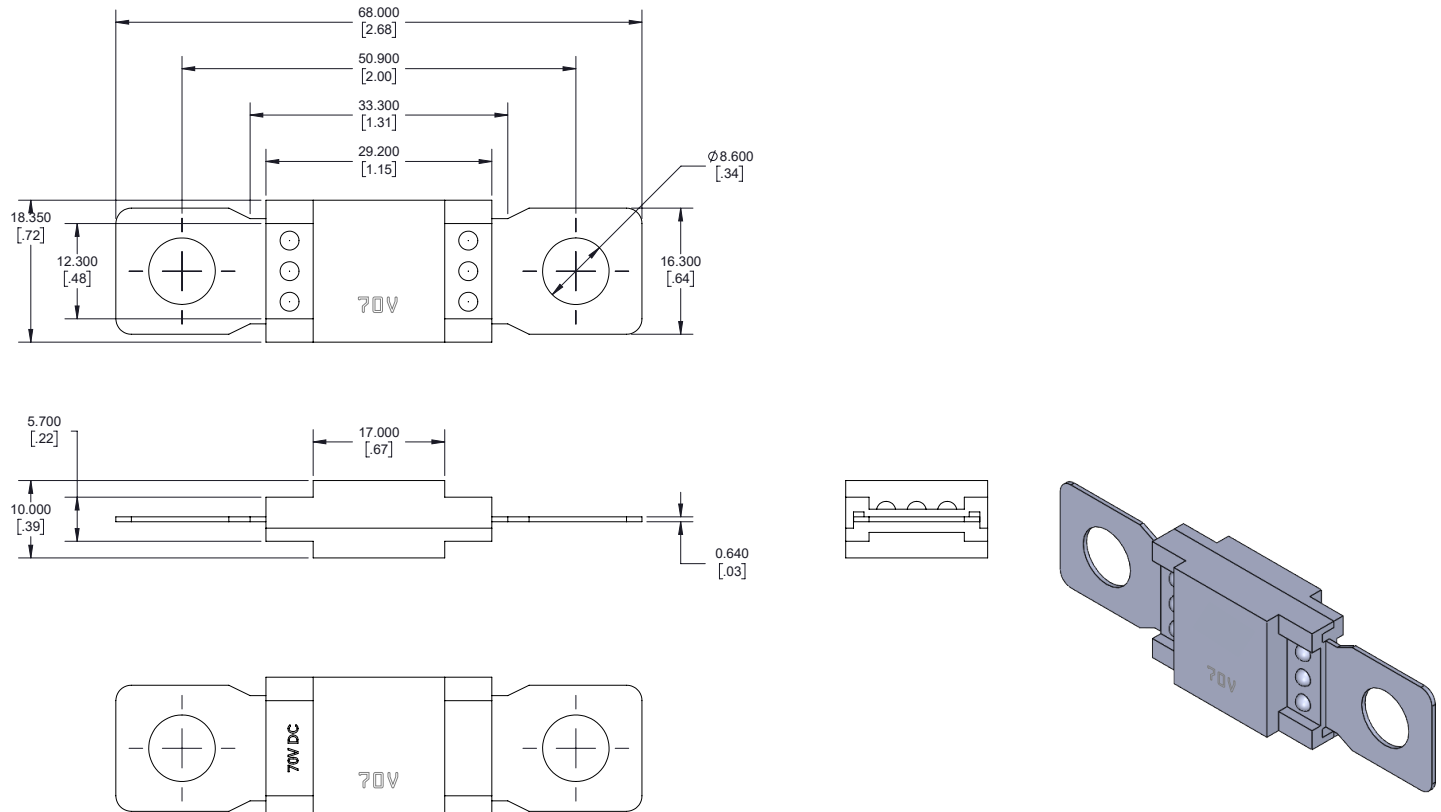
Time-current Characteristic (300A-500A)

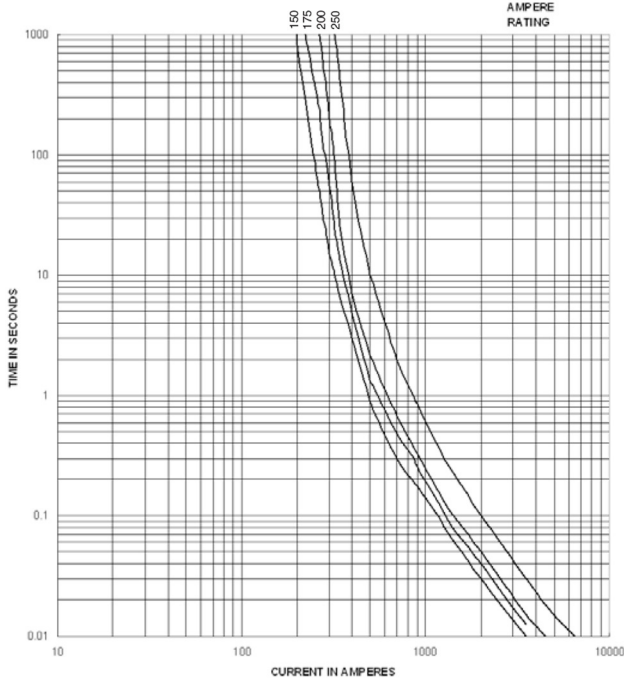
% of rating	Opening time	
	Minimum	Maximum
75	4 hrs	—
200	1 s	15 s
350	0.5 s	5 s

Part numbering system

Color Code	amp rating	Traditional pack	Retail Pack	Bulk Pack
Red	80	AMG-80	BP/AMG-80-RP	—
Yellow	100	AMG-100	BP/AMG-100-RP	BK/AMG-100
Green	125	AMG-125	BP/AMG-125-RP	BK/AMG-125
Orange	150	AMG-150	BP/AMG-150-RP	BK/AMG-150
White	175	AMG-175	BP/AMG-175-RP	BK/AMG-175
Blue	200	AMG-200	BP/AMG-200-RP	BK/AMG-200
Tan	225	AMG-225	BP/AMG-225-RP	BK/AMG-225
Pink	250	AMG-250	BP/AMG-250-RP	BK/AMG-250
Gray	300	AMG-300	BP/AMG-300-RP	BK/AMG-300
Violet	400	AMG-400	BP/AMG-400-RP	—
Dark Yellow	450	AMG-450	BP/AMG-450-RP	—
Brown	500	AMG-500	BP/AMG-500-RP	—

Dimensions





The only controlled copy of this data sheet is the electronic read-only version located on the Eaton network drive. All other copies of this document are by definition uncontrolled. This bulletin is intended to clearly present comprehensive product data and provide technical information that will help the end user with design applications. Eaton reserves the right, without notice, to change design or construction of any products and to discontinue or limit distribution of any products. Eaton also reserves the right to change or update, without notice, any technical information contained in this bulletin. Once a product has been selected, it should be tested by the user in all possible applications.

Eaton
1000 Eaton Boulevard
Cleveland, OH 44122
Eaton.com

Bussmann Division
114 Old State Road
Ellisville, MO 63021
United States
Eaton.com/bussmannseries

© 2024 Eaton
All Rights Reserved
Printed in USA
Publication No. 11320 — BU-MC20289
May 2024

For Eaton's Bussmann series
product information,
call **1-855-287-7626** or visit:
Eaton.com/bussmannseries



Eaton and Bussmann are valuable trademarks of Eaton in the U.S. and other countries. You are not permitted to use the Eaton trademarks without prior written consent of Eaton.

Follow us on social media to get the latest product and support information.

