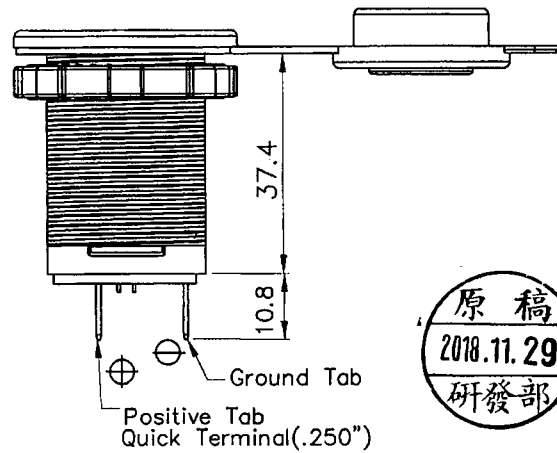
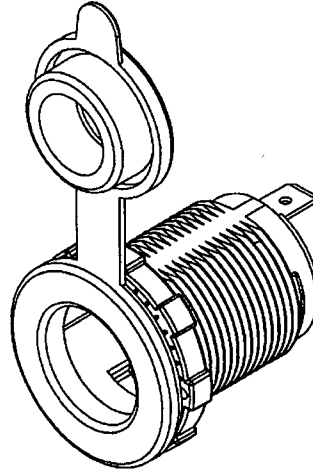
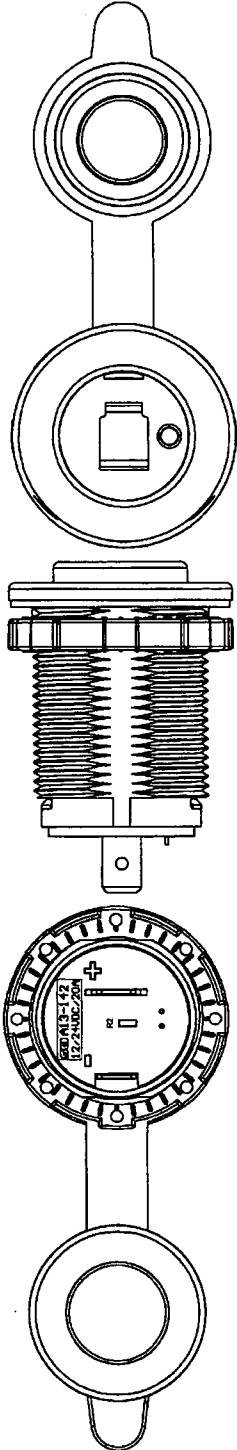


Rating	12/24VDC 20A max	
Insulation Resistance	DC 500V 100M ohm Min	
Dielectric Strength	AC 1500V 1minute	
Operation Temperature	-20°C~85°C	



Description:

- * Water proof sealing cap
- * SeaLink locking system
- * Easy to install using an optional mounting plate for front panel installation, or the locking ring for rear access installation
- * Compatible with standard CLA plugs
- * LED indicator

Tolerances ± 0.3 Unless Otherwise Specified

注：塑膠袋或內盒+外箱加貼Prop65貼紙

Date	Name	Descriptions				NO.
Drawn	Checked	Approved	SCI BOM No.	1251806	Model Name	SeaLink CLA Socket
李景山		<i>Smou</i>	Customer No.	EV024	Model No.	A13-142E-BB3
11/19/18		11/20/18	Unit	mm	Shin Chin Industrial Co., Ltd.	REV. 0