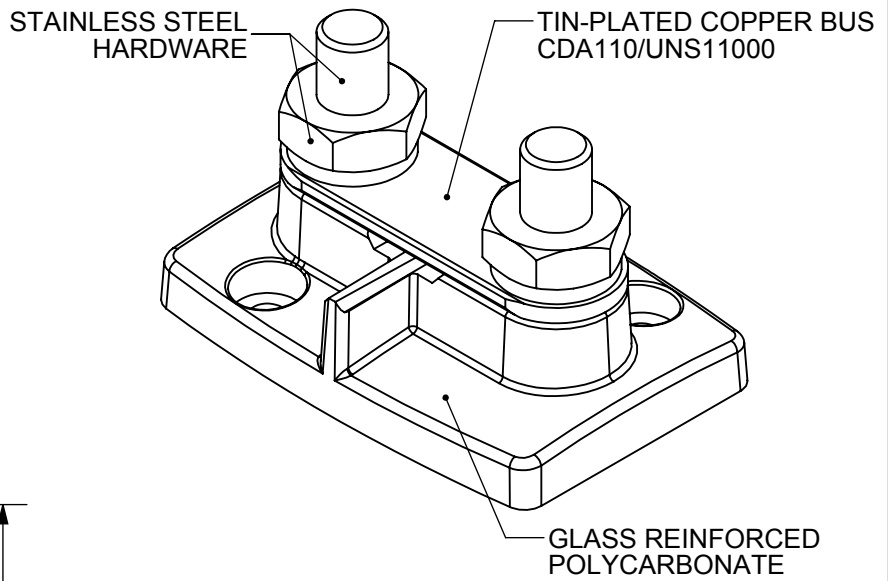


REVISIONS				
ZONE	REV.	DESCRIPTION	DATE	APPROVED
	A	INITIAL DRAWING RELEASE	4/25/2011	J. KAUFMAN
	B	PER EC#517460: UPDATING DRAWING BY TRANSFERING INTO THE LITTELFUSE TEMPLATE	4/25/2017	J. LIU



- NOTES:
- CONTINUOUS RATING: AMPERAGE RATING IS DETERMINED BY WIRE AMPERAGE CAPACITY CONNECTED TO THE BUSBAR, UP TO 600A.
  - VOLTAGE MAXIMUM OPERATING: 48 VOLTS DC

DIMENSIONS ARE IN MM.  
 DIMENSIONS AND TOLERANCES ARE DEFINED ACCORDING TO ANSI / ASME Y14.5M-1994  
 THIS DRAWING AND THE INFORMATION CONTAINED WITHIN IT ARE CONFIDENTIAL AND MAY NOT BE COPIED OR DISCLOSED WITHOUT THE WRITTEN PERMISSION OF LITTELFUSE.

	NAME	DATE
DRAWN	J. JUSTIN	4/25/2011
CHECKED		
-	-	-
-	-	-
-	-	-

THIRD ANGLE PROJECTION

**Littelfuse**  
 Expertise Applied | Answers Delivered

## Busbar Dual Stud

SIZE **C** DWG. NO. **880097** REV. **B**  
 SCALE 1:1 SHEET 1 OF 1