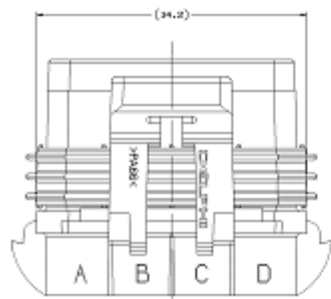
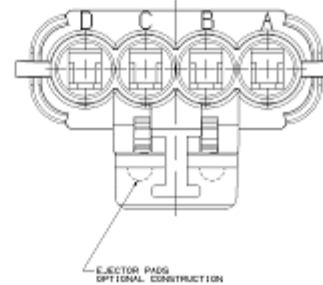
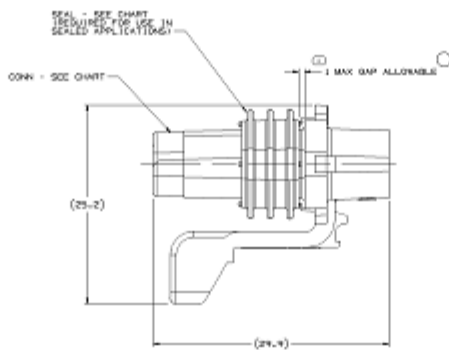
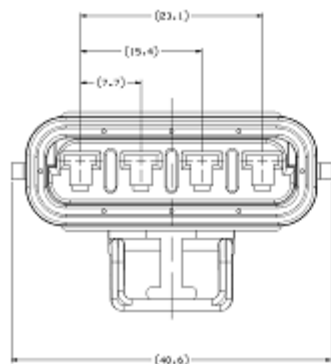
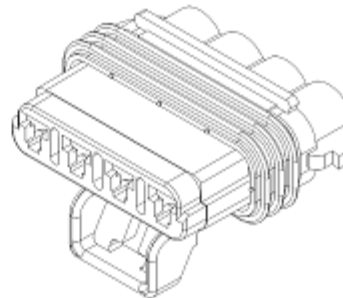
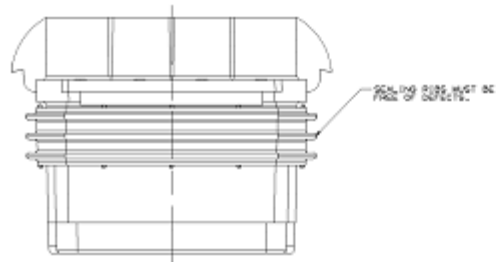


SYMBOL DEFINITION		MISSING SYMBOLS	
A DIMENSION WITHOUT AN IMPRESSION REPORT SYMBOL	TOTAL NO OF IMPRESSIONS REQUIRED	NO MISSING SYMBOL NUMBER	
1 COIN NOT REQUIRING IMPRESSION, IT MAY BE CONTROLLED ON THE INDIVIDUAL COMPONENT DRAWING.	1		
	LAST NO. USED		
	1		

REV	DATE	BY	CHKD	DESCRIPTION	APP'D
0000A	R 01	-	-	ISSUED BY QUAM & REHAG TO LAFIT (R FORM) ALL PARTS - ADD TO LOG NOTE	07/04/07/07/07
0000B	R 02	-	-	ALL PARTS - ADD NOTE COMPONENT PART NUMBER (DRAFT) TO LOG	07/04/07/07/07
0001A	R 03	-	-	ISSUED - RELEASED AND ASSG ANNOTATION DATA NOTE	07/04/07/07/07
0001B	R 04	-	-	ISSUED - UPDATED PW ATTRIBUTES	07/04/07/07/07
0001C	R 05	-	-	ALL PARTS - CORRECT DFN POSITION	07/04/07/07/07



- NOTES
- UNLESS OTHERWISE SPECIFIED AND/OR INDICATED:  
DIMENSIONS ARE TO FACE OF VIEW SHOWN AND AUTOMATICALLY ROUNDED BY COMPUTER FOR IMPRESSION (SEE PAPER EDGE). FOR PRECISE DIMENSIONS, FOR ALL OTHER DIMENSIONS NOT SHOWN BUT REQUIRED FOR TOOL BUILD, SEE WITH MODEL FOR PRECISE TOOL PATH DATA.
  - WHEN PARTS ARE SHIPPED THEY MUST BE PACKED IN PLASTIC BAGG OR SHIPPING CONTAINERS MUST BE LINED WITH PLASTIC LINERS. BAGS OR LINERS MUST BE SEALED TO AVOID FOREIGN MATTER.
  - SEALING CODE B - DESIGN WILL PASS SALT FOR AND IMMERSION TEST AFTER CONDITIONING AS SPECIFIED IN ISO-710 (METRIC) PAGE 1 WHEN MATED TO MATING PART OR EQUIVALENT.
  - FOR APPLICATION DATA SEE THE INDIVIDUAL APPLICATION DRAWINGS.



**WAYTEK, INC.**  
800-328-2724  
www.waytekwire.com  
sales@waytekwire.com

ASSEMBLY	REV	APP	TYPC	COIN	SEAL	COIN COLOR
12129563	1.01	10	12129563	15	000000	BLK
12129563	1.01	10	12129563	15	000000	BLK
12129563	1.01	10	12129563	15	000000	BLK

12129563	1.01	10	12129563	15	000000	BLK
----------	------	----	----------	----	--------	-----

DATE: 07/04/07  
TIME: 10:00 AM  
BY: J. REHAG  
CHKD: J. REHAG  
APP'D: J. REHAG

**DELPHI**  
WIRETECH

15336872