

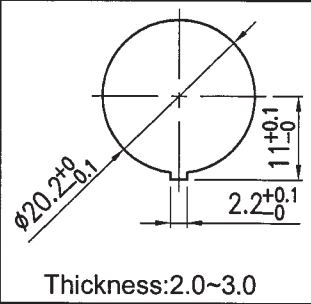
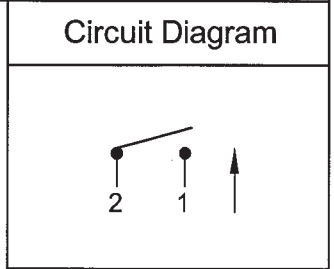
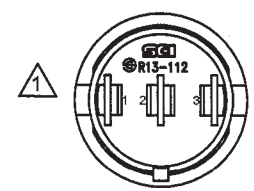
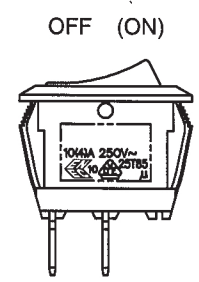
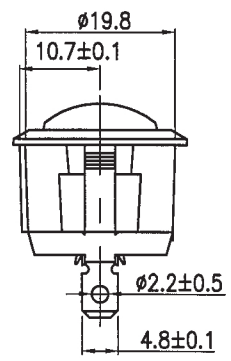
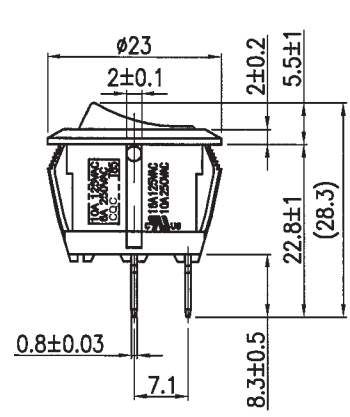
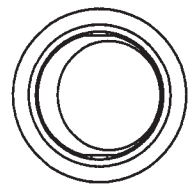


Rating	16A 125VAC, 10A 250VAC 	Mounting Hole
	10A 125VAC, 6A 250VAC CQC	
	10(4)A 250V~ 	
Contact Resistance	50m ohm Max.	
Insulation Resistance	DC 500V 100M ohm Min.	
Dielectric Strength	AC 1500V 1 minute	
Operation Temperature	-25°C~85°C	
Switch Function	2P SPST (ON)-OFF	



Material:
 Frame: Nylon 66, Black
 Actuator: Nylon 66, Black
 Printed: None



Tolerances Unless Otherwise Specified ±0.3

								△	
03/10/16		曹盈芳		依公司規定追加SCI Logo				△	
Date		Name		Description				No.	
Drawn	Checked	Approved	SCI BOM No	1821656	Model Name	ROCKER SWITCH			
曹盈芳		王伯山	Customer No		Model No.	R13-112F-02		Rev.	
03/10/16		3/10/16	Unit	mm	Shin Chin Industrial Co., Ltd.				1