

# BLUE SEA SYSTEMS

## Marine Electrical Products

### Mini OLED DC Ammeter PN 1732

Monitors DC current on a bright, waterproof, daylight readable screen

#### Features

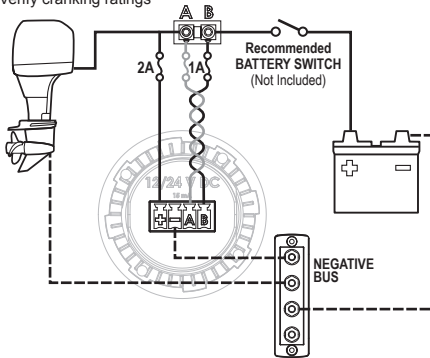
- Monitors current from -100A to +100A
- Measures current on the positive or negative side
- Reverse polarity protected
- Mounts in a common 1-1/8" (29mm) hole

#### Specifications

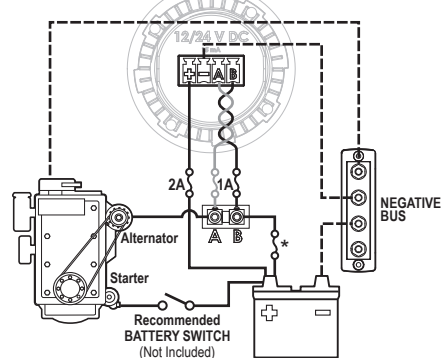
Nominal Voltage	12V / 24V DC
Voltage Range	8V-36V DC
Max. Operating Current	15mA
Resolution	0.1A
Accuracy	+/- 2%
Cutout Dimensions	1-1/8" (29mm) dia.
Shunt (included)	1x 9230 (100A/50mV)
Intermittent:	5 min. 110A
Cranking:	30 sec. 175A

#### Monitor Outboard Alternator

Verify cranking ratings

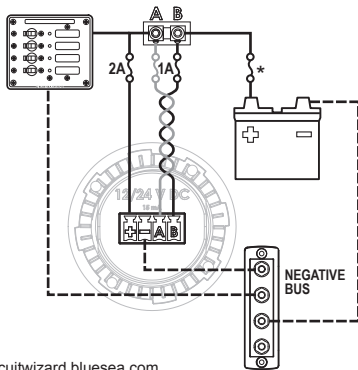


#### Monitor Inboard Alternator



\* See [circuitwizard.bluesea.com](http://circuitwizard.bluesea.com) to determine fuse rating.

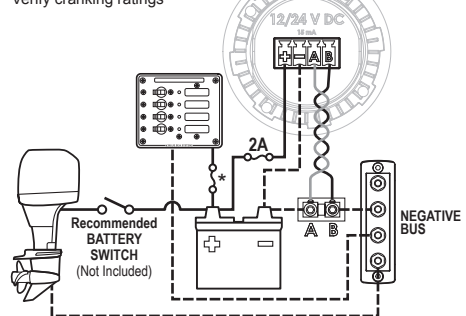
#### Monitor House Loads



\* See [circuitwizard.bluesea.com](http://circuitwizard.bluesea.com) to determine fuse rating.

#### Monitor System Amperage

Verify cranking ratings



\* See [circuitwizard.bluesea.com](http://circuitwizard.bluesea.com) to determine fuse rating.



425 Sequoia Drive  
Bellingham, WA 98226 USA  
p 360.738.8230  
[conductor@bluesea.com](mailto:conductor@bluesea.com)

LEGEND  
Positive ———  
Negative - - - -  
Fuse ~ ~ ~