



# SERIES 17

RAISING THE BAR  
MP - COUNT ON IT

High Amperage 20 to 300 AMP

Type I & III Vehicle Protection

IP67 Waterproof

SAE & ABYC Compliant

Ignition-Protected

LED TripID™ Option



## SUPERIOR CIRCUIT PROTECTION

[www.mechprod.com](http://www.mechprod.com)

## Series 17 Overview

48 VDC maximum for 20 - 150 Amp  
30 VDC maximum for 175 - 200 Amp

- Standard Terminations (S0 and P0)
- Heavy Duty terminations 3/8" studs (S2 and P2)
- Easy Access Terminations (S1, S3, P1)
- Compact Base for Surface Mount (S8)

- Auto, manual, or switching option
- Visible trip indication
- Waterproof
- Ignition-protected
- Trip-free operation
- Improved Robust Design
- Available with 1/4" and 3/8" Stainless  
- Steel Terminal Studs and Sems Nuts

## Series 17 Specifications

<b>Standard Amp Ratings</b>	20, 25, 30, 35, 40, 50, 60, 70, 80, 90, 100, 110, 120, 135, 150, 175, 200, 225, 250, 275, and 300 Amps
<b>Maximum Voltage Ratings</b>	Type III: 48 VDC (20 -150A); 30 VDC (175 - 200A); 14VDC (225 - 250A) Type I: 30 VDC auto-reset (20 - 200A); 14VDC (225 - 300A)
<b>Ultimate Trip</b>	Must Hold 100% at 25°C/77°F Must Trip at 135% within 1 hour.
<b>Dielectric Strength</b>	1,500VAC Minimum
<b>Interrupt Capacity (20 - 150A)</b>	3,000A @ 14VDC (Type III) 1,500A @ 48VDC (Type III) 3,000A @ 30VDC (Type I)
<b>Interrupt Capacity (175 - 200A)</b>	2,500A @ 14VDC (Type III) 1,500A @ 30VDC (Type I and Type III)
<b>Interrupt Capacity (225 - 300A)</b>	2,500A, 14VDC per SAE J1625 (Type I) 225A, 250A, 275A, 300A 1,500A, 14VDC per SAE J1625 (Type III manual reset) 225A & 250A 1,500A, 14VDC ABYC Main Rated (Type III manual reset) 225A & 250A
<b>Endurance (20 - 150A)</b>	14VDC @ 100 cycles, 6X rating (Type I & Type III) 28VDC @ 100 cycles, 2X rating (Type III) 30VDC @ 100 cycles, 2X rating (Type I) 48VDC @ 50 cycles, 1.5X rating (Type III)
<b>Endurance (175 - 200A)</b>	14VDC @ 100 cycles, 6X rating (Type I, Type III 175A) 14VDC @ 50 cycles, 4X rating (Type III 200A) 28VDC @ 50 cycles, 2X rating (Type III) 30VDC @ 100 cycles, 2X rating (Type I)
<b>Endurance (225 - 300A)</b>	500 cycles, 200% 14VDC per SAE J1625 (Type I) 225A, 250A, 275A, 300A 50 cycles, 200% 14VDC per UL1077/SAE J1625 (Type III manual reset) 225A & 250A
<b>Operating Temperature Range</b>	-40°C/-40°F to 85°C/185°F
<b>Weight</b>	Panel Mount: 3.1 oz. (88 gm.) Surface Mount: 4.0 oz. (114 gm.)
<b>Ignition Protected</b>	Compliant to SAE J1171
<b>Ingress Protection</b>	IP67 dust and waterproof rated - protection against immersion up to 1 meter of water for 30 minutes.
<b>Corrosion</b>	Conforms to Mil-STD-202, Method 101, Test Condition A, for 96 hours under a 5% salt Spray.
<b>Humidity</b>	Conforms to Mil-STD-202, Method 106, for 240 hours at 95% RH.
<b>Shock</b>	Rated to withstand 100g per Mil-STD-202, Method 213, Test Condition A.
<b>Vibration</b>	Rated to withstand 10g per Mil-STD-204, Test Condition A.
<b>Regulatory Compliance Summary</b>	Interrupt Capacity: SAE J1625, ABYC-E11, UL1077* Ignition Protected: SAE J1171 Endurance: SAE J1625 Dielectric Strength: UL1077* Shock, Vibration, Corrosion, Humidity: Mil-STD-202 Dust and Waterproof: IP67

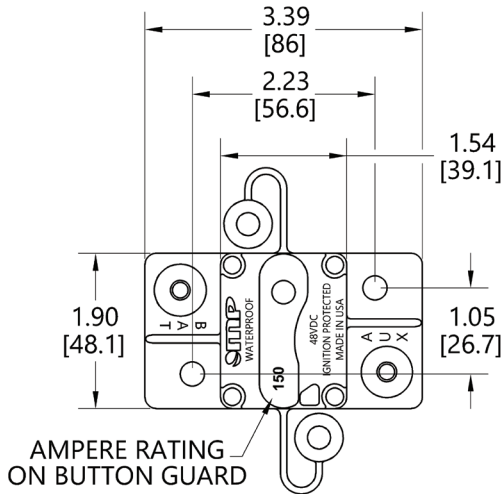
\*tested per UL1077 methods



# Series 17 Physical Configuration

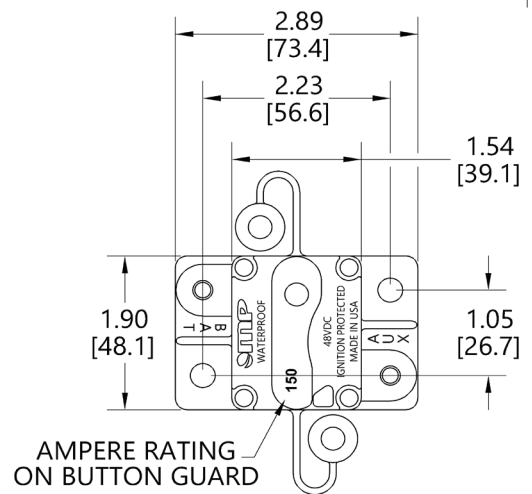
**S0 / S2**

## Standard Surface Mount 1/4"-28 or 3/8"-16 Stud Terminals

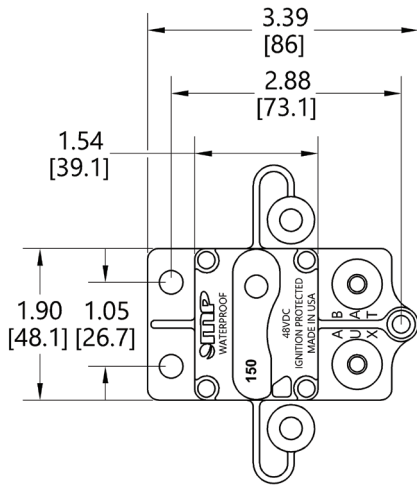


**S8**

## Compact Surface Mount 1/4"-28 Stud Terminals

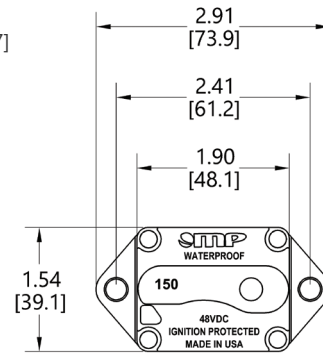


## S1 / S3 Easy Access Side by Side Surface Mount 1/4"-28 or 3/8"-16 Stud Terminals



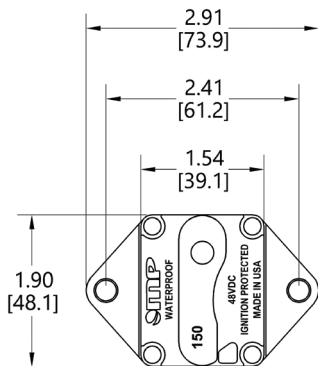
## P1 Easy Access 90° Panel Mount 1/4"-28 Stud Terminals

Mounting ear thickness .31 [7.87]

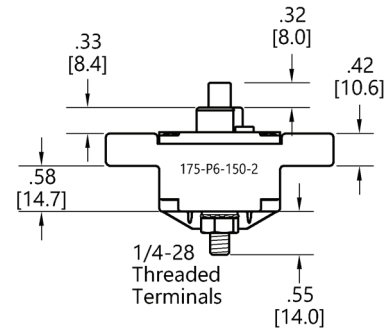


## P0 / P2 / P6 Standard Panel Mount 1/4"-28 or 3/8"-16 Stud Terminals

P0 & P2  
Mounting ear  
thickness .31 [7.87]



## P6 For Rear Terminal Bussing 1/4"-28 Stud Terminals only

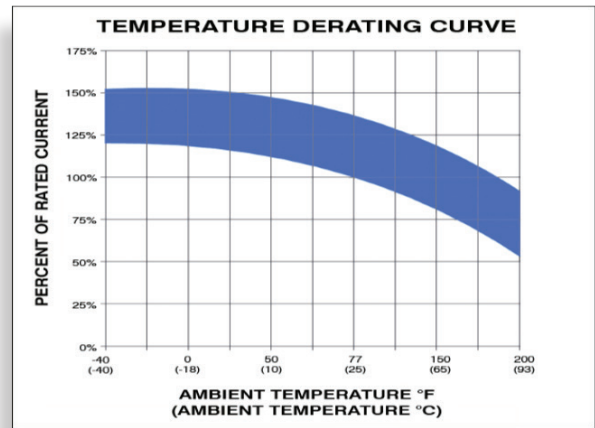
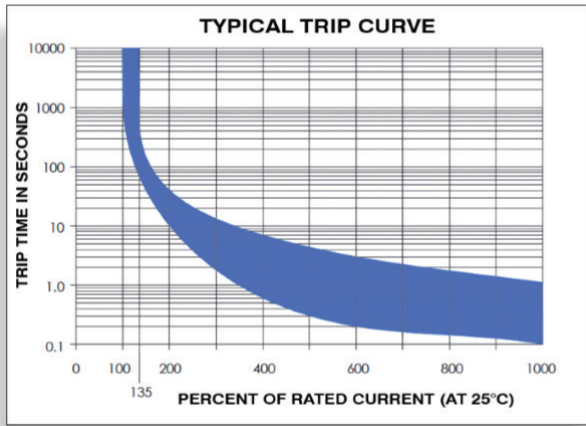


1112 N. Garfield St. Lombard, IL 60148 helpme@mechprod.com  
phone 630 | 953 | 4100 fax 630 | 953 | 4110 www.mechprod.com

For 3D CAD:  
[www.mechprod.com/3d-models-catalog](http://www.mechprod.com/3d-models-catalog)

Specifications subject to change

QC-4000-F



**Typical Overload Trip Time Data (in seconds)**

Current Rating	200%	400%	600%	800 %	1000%
20-300 Amps	10-40	0.6-7.0	0.2-3.0	0.15- 2.0	0.09-1.2

**Typical Ambient Temperature Correction Factor**

Current Rating	°F	-40	0	50	77	150	200
	°C	-40	-18	10	25	65	93
20-300 Amps		0.80	0.84	0.87	1.00	1.22	1.47



175-S8-060-2

**Series 17 Typical High Amp Applications**

Main or supplementary circuit protection in industrial/commercial vehicles:

- Agricultural
- Construction
- Marine
- Trucks
- Buses
- Emergency Vehicles
- Automotive Lifts
- Battery Chargers
- Recreational Vehicles

Protect:

- Wiring
- Lighting
- Components
- Batteries
- Motors
- Pumps
- Alternators
- Air Compressors
- Inverters
- Converters
- Generators
- and more

To visit the MP website:



1112 N. Garfield St. Lombard, IL 60148 helpme@mechprod.com  
 phone 630 | 953 | 4100 fax 630 | 953 | 4110 www.mechprod.com

Specifications subject to change

QC-4000-F

# Series 17 Part Numbering Guide up to 200A

**P/N:** 1 7   -     -       -    

**Series Number**

17 = Series Circuit Protector

**Vehicle Protection**

- 1 = Type I Auto Reset
- 4 = Type III Manual Reset
- 5 = Type III Manual Push To Trip Reset
- 6 = Type III Manual Push to Trip w/ red recessed button
- 7 = Type III Manual Push to Trip w/ button guard

**Special Options**

- Blank = None
- L = 17LED-R Assembled (S0, S1, S2 & S3 Models Only)
- R = Long Red Button (Long Blue is Std)

**Hardware**

- 0 = No Hardware
- 1 = Stainless Steel Sems Nuts (Bulk)
- 2 = Stainless Steel Sems Nuts (Installed)

**Amp Rating**

020 - 200 = 20 to 200A  
**\*\*225-300A see back page**

**Mounting Options / Configurations**

**Surface Mount**

- S0 = Standard Surface Mount with 1/4"-28 Stud Terminals
- S1 = Side By Side Surface Mount with 1/4"-28 Stud Terminals
- S2 = Standard Surface Mount with 3/8"-16 Stud Terminals
- S3 = Side By Side Surface Mount with 3/8"-16 Stud Terminals
- S8 = Compact Surface Mount with 1/4"-28 Stud Terminals (20-200A only)

**Panel Mount**

- P0 = Standard Panel Mount with 1/4"-28 x 0.55" Stud Terminals
- P1 = 90° Panel Mount with 1/4"-28 x 0.55" Stud Terminals
- P2 = Standard Panel Mount with 3/8"-16 x 0.76" Stud Terminals
- P6 = Standard Panel Mount 1/4"-28x 0.55" stud terminals with 0.42" [10.6mm] mounting ears for rear mount bussing



175-S3-200-2



177-S0-150-2R



MP P/N: 5002-413-1  
**Panel Mount Gasket / Trim Bezel (Sold separately)**



For 3D CAD:  
[www.mechprod.com/3d-models-catalog](http://www.mechprod.com/3d-models-catalog)

1112 N. Garfield St. Lombard, IL 60148 helpme@mechprod.com  
 phone 630 | 953 | 4100 fax 630 | 953 | 4110 www.mechprod.com

WARNING: Cancer & Reproductive Harm  
[www.p65warnings.ca.gov/](http://www.p65warnings.ca.gov/)

Specifications subject to change

QC-4000-F

# Series 17 Part Numbering Guide 225-300A

**P/N:** 1 7   -     -       -    

**Series Number**

17 = Series Circuit Protector

**Vehicle Protection**

- 1 = Type I Auto Reset (225 - 300A)
- 4 = Type III Manual Reset (225 - 250A)
- 5 = Type III Panel Mount Push To Trip Reset (225A - 250A)

**\*\*275A and 300A only available in Type I Auto Reset**

**Special Options**

- Blank = None
- L = 17LED-R Assembled (Surface Mount Models Only)
- R = Long Red Button (Long Blue is Std)

**Hardware**

- 0 = No Hardware
- 1 = Stainless Steel Sems Nuts (Bulk)
- 2 = Stainless Steel Sems Nuts (Installed)

**Amp Rating**

225, 250, 275, 300 = 225 to 300A only

**Mounting Options / Configurations**

**Surface Mount**

- S2 = Standard Surface Mount with 3/8"-16 Stud Terminals
- S3 = Side By Side Surface Mount with 3/8"-16 Stud Terminals

**Panel Mount**

- P2 = Standard Panel Mount with 3/8"-16 x 0.76" Stud Terminals



171-S2-300-2



174-P2-250-2



## Series 17 225 - 300A Features

Rated for applications using 12VDC systems (14Vdc max)

3/8" Battery Lug for wire size of 4/0 minimum recommended



For 3D CAD:  
[www.mechprod.com/3d-models-catalog](http://www.mechprod.com/3d-models-catalog)

1112 N. Garfield St. Lombard, IL 60148 helpme@mechprod.com  
 phone 630 | 953 | 4100 fax 630 | 953 | 4110 www.mechprod.com



WARNING: Cancer & Reproductive Harm  
[www.p65warnings.ca.gov/](http://www.p65warnings.ca.gov/)