

# Interconnect Controller

Eaton's Interconnect Controllers are general use interconnect devices that operate in four modes depending on user defined settings. These modes include unidirectional battery separator, bidirectional battery separator, low voltage disconnect and isolator/interconnect mode.

## Features & Benefits

Eaton Interconnect Controllers are optimally ruggedized for transportation applications with outstanding environmental performance characteristics.

## Battery Management

Eaton's Interconnect Controllers provide reliable battery management functionality based on settable low voltage disconnect values, engine lock out inputs and toggle switch inputs. The high value results include: fewer jump starts, longer battery life and 100% control with the push of a button.

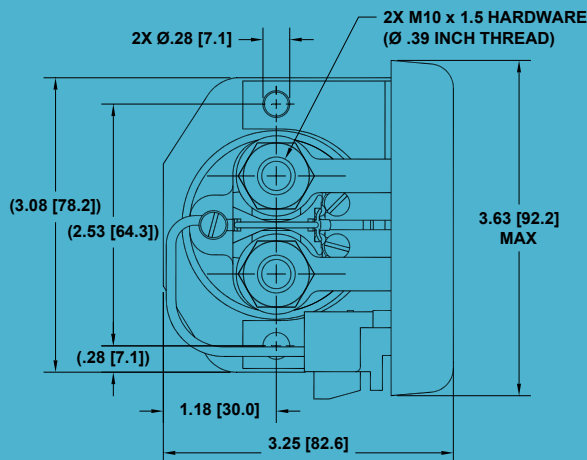
## Options

Eaton's Interconnect Controllers provide the same value as standalone battery separators and low voltage disconnect devices with the added advantage of exceptional configuration flexibility.



Part #	Input (V)	Current (A)	Description
3103	24	300	Interconnect / Controller
3104	12	300	Interconnect / Controller
3105G	12	300	Interconnect / Controller
3115	12	300	Interconnect / Controller

## Dimensions in Inches (mm)



Uncontrolled Document  
Last Revision: 02.21.2022