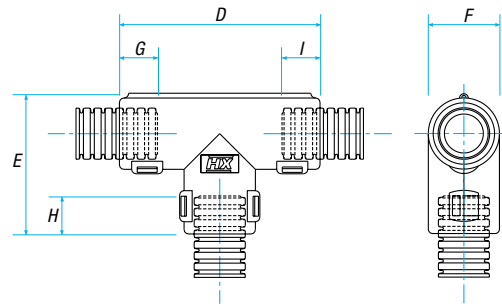
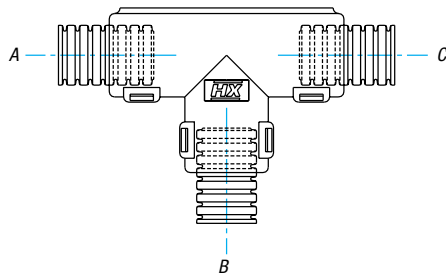


Hinged Connectors

External Hinged T-Pieces

One-piece symmetrical three-junction fittings allow a variety of conduit size variations.

These fittings are designed to snap together over all types of slit and unslit conduit, thus maintaining maximum conduit bore.



CAT. NO.	CONDUIT SIZES											
	(NC)			(NW)			NOMINAL DIMENSIONS (MM)					
	A	B	C	A	B	C	D	E	F	G	H	I
TPS080808	08	08	08	7.5	7.5	7.5	45.2	31.1	17	10	10	10
TPS081208	08	12	08	7.5	10	7.5	45.2	31.1	17	10	10	10
TPS081612	08	16	12	7.5	13	10	45.2	31.1	17	10	10	10
TPS100808	10	08	08	8.5	7.5	7.5	45.2	31.1	17	10	10	10
TPS101010	10	10	10	8.5	8.5	8.5	45.2	31.1	17	10	10	10
TPS101012	10	10	12	8.5	8.5	13	45.2	31.1	17	10	10	10
TPS120808	12	08	08	10	7.5	7.5	45.2	31.1	17	10	10	10
TPS120812	12	08	12	10	7.5	10	45.2	31.1	17	10	10	10
TPS121010	12	10	10	10	8.5	8.5	45.2	31.1	17	10	10	10
TPS121012	12	10	12	10	8.5	10	45.2	31.1	17	10	10	10
TPS121208	12	12	08	10	10	7.5	45.2	31.1	17	10	10	10
TPS121210	12	12	10	10	10	7.5	45.2	31.1	17	10	10	10
TPS121212	12	12	12	10	10	10	45.2	31.1	17	10	10	10
TPS121612	12	16	12	10	13	10	45.2	31.1	21	10	10	10
TPS160808	16	08	08	13	7.5	7.5	49.1	34.8	21	10	10	10
TPS160812	16	08	12	13	7.5	10	49.1	34.8	21	10	10	10
TPS160816	16	08	16	13	7.5	13	49.1	34.8	21	10	10	10
TPS161012	16	10	12	13	8.5	10	49.1	34.8	21	10	10	10
TPS161016	16	10	16	13	8.5	13	49.1	34.8	21	10	10	10
TPS161212	16	12	12	13	10	10	49.1	34.8	21	10	10	10
TPS161216	16	12	16	13	10	13	49.1	34.8	21	10	10	10
TPS161608	16	16	08	13	13	7.5	49.1	34.8	21	10	10	10
TPS161612	16	16	12	13	13	10	49.1	34.8	21	10	10	10
TPS161616	16	16	16	13	13	13	49.1	34.8	21	10	10	10
TPS162012	16	20	12	13	17	10	49.1	34.8	21	10	10	10
TPS162016	16	20	16	13	17	13	49.1	34.8	21	10	10	10
TPS200816	20	08	16	17	7.5	13	56.5	41.0	26	12	10	10
TPS200820	20	08	20	17	7.5	17	56.5	41.0	26	12	10	12
TPS201016	20	10	16	17	8.5	13	56.5	41.0	26	12	10	10
TPS201020	20	10	20	17	8.5	17	56.5	41.0	26	12	10	12
TPS201216	20	12	16	17	10	13	56.5	41.0	26	12	10	10
TPS201220	20	12	20	17	10	17	56.5	41.0	26	12	10	12
TPS201612	20	16	12	17	13	10	56.5	41.0	26	12	10	10
TPS201616	20	16	16	17	13	13	56.5	41.0	26	12	10	10
TPS201620	20	16	20	17	13	17	56.5	41.0	26	12	10	12
TPS202012	20	20	12	17	17	10	56.5	41.0	26	12	12	10
TPS202016	20	20	16	17	17	13	56.5	41.0	26	12	12	10
TPS202020	20	20	20	17	17	17	56.5	41.0	26	12	12	12

CAT. NO.	CONDUIT SIZES											
	(NC)			(NW)			NOMINAL DIMENSIONS (MM)					
	A	B	C	A	B	C	D	E	F	G	H	I
TPS202516	20	25	16	17	22	13	64.5	48.5	33	12	13	10
TPS250820	25	08	20	22	7.5	17	64.5	48.5	33	13	10	12
TPS250825	25	08	25	22	7.5	22	64.5	48.5	33	13	10	13
TPS251025	25	10	25	22	8.5	22	64.5	48.5	33	13	10	13
TPS251220	25	12	20	22	10	17	64.5	48.5	33	13	10	12
TPS251225	25	12	25	22	10	22	64.5	48.5	33	13	10	13
TPS251620	25	16	20	22	13	17	64.5	48.5	33	13	10	12
TPS251625	25	16	25	22	13	22	64.5	48.5	33	13	10	13
TPS252020	25	20	20	22	17	17	64.5	48.5	33	13	12	12
TPS252025	25	20	25	22	17	22	64.5	48.5	33	13	12	13
TPS252520	25	25	20	22	22	17	64.5	48.5	33	13	13	12
TPS252525	25	25	25	22	22	22	64.5	48.5	33	13	13	13
TPS280820	28	08	20	23	7.5	17	64.5	48.5	33	13	10	12
TPS280828	28	08	28	23	7.5	23	64.5	48.5	33	13	10	13
TPS281020	28	10	20	23	8.5	17	64.5	48.5	33	13	10	12
TPS281028	28	10	28	23	8.5	23	64.5	48.5	33	13	10	13
TPS281220	28	12	20	23	10	17	64.5	48.5	33	13	10	12
TPS281225	28	12	25	23	10	22	64.5	48.5	33	13	10	13
TPS281228	28	12	28	23	10	23	64.5	48.5	33	13	10	13
TPS281620	28	16	20	23	13	17	64.5	48.5	33	13	10	12
TPS281625	28	16	25	23	13	22	64.5	48.5	33	13	10	13
TPS281628	28	16	28	23	13	23	64.5	48.5	33	13	10	13
TPS282020	28	20	20	23	17	17	64.5	48.5	33	13	12	12
TPS282025	28	20	25	23	17	22	64.5	48.5	33	13	12	13
TPS282028	28	20	28	23	17	23	64.5	48.5	33	13	12	13
TPS282525	28	25	25	23	22	22	64.5	48.5	33	13	13	13
TPS282528	28	25	28	23	22	23	64.5	48.5	33	13	13	13
TPS282828	28	28	28	23	23	23	64.5	48.5	33	13	13	13
TPS321625	32	16	25	29	13	22	72.0	55.3	39	13	10	13
TPS321632	32	16	32	29	13	29	72.0	55.3	39	13	10	13
TPS322532	32	25	32	29	22	29	72.0	55.3	39	13	10	13
TPS322025	32	20	25	29	17	22	72.0	55.3	39	13	12	13
TPS322028	32	20	28	29	17	23	72.0	55.3	39	13	12	13
TPS322032	32	20	32	29	17	29	72.0	55.3	39	13	12	13
TPS322525	32	25	25	29	22	22	72.0	55.3	39	13	13	13
TPS322532	32	25	32	29	22	29	72.0	55.3	39	13	13	13
TPS323225	32	32	25	29	29	22	72.0	55.3	39	13	13	13
TPS323232	32	32	32	29	29	29	72.0	55.3	39	13	13	13