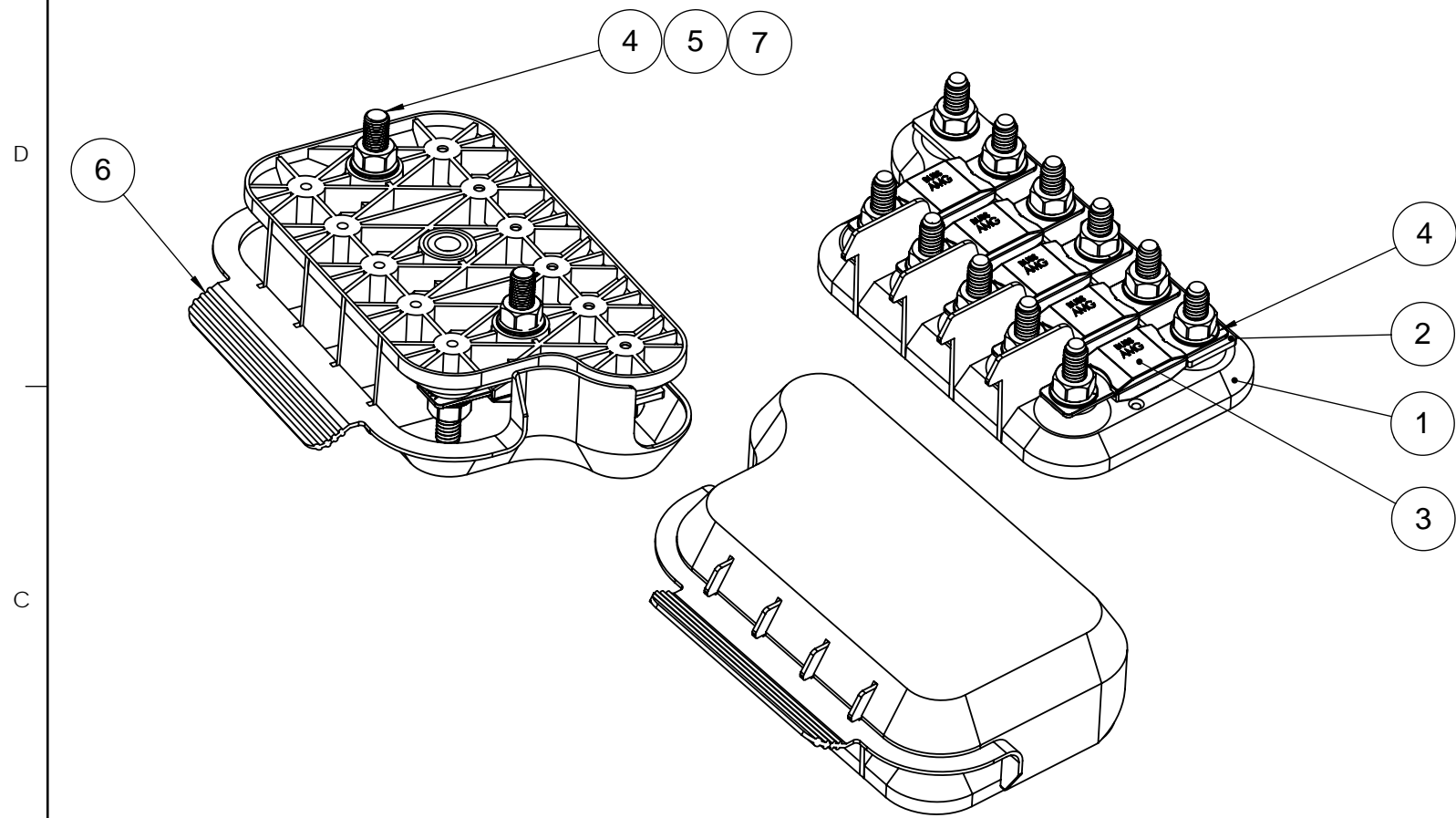


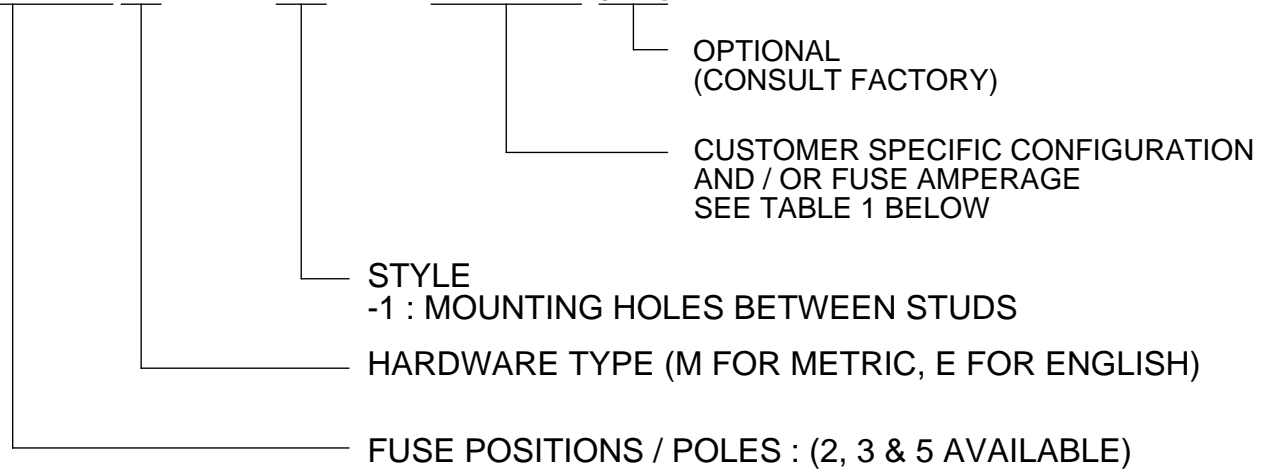
**CONFIDENTIAL -**  
 The information contained in this document is the property of Cooper Industries, Inc. It is not for public disclosure. Possession of the information does not convey any right to loan, sell, or disclose the information. Unauthorized reproduction or use of the information is prohibited. This document is to be returned to Cooper Industries, Inc. upon completion of the purpose for which it is loaned or upon request.

**COPYRIGHT** Cooper Industries, Inc.  
 This is an unpublished work. The disclosure of this work is limited to select personnel. Further dissemination or disclosure to the public is PROHIBITED.  
 This unpublished work is protected by Federal Copyright Law and all rights thereunder are reserved by Cooper Industries, Inc.

REV.	DESCRIPTION	DATE	APPROVED
1	REMOVED J, ADDED N TO PLANT CODE. ECN BU-N08025 MK	08/25 2008	
2	REVISED COVER VIEW (LOC. D-5), ADDED COMMENT FOR NYLOCK NUTS AND FLAT WASHERS IN BOM, ADDED "OPTION" TO COMMENTS FOR COVER, REVISED DIMS ON SHEET 2 ECN BU-N08050 MK	09/25 2008	
3	6 POLE PICTORIAL VIEWS REPLACED W/5-POLE, CHG'D REF. TO 2, 3 & 5 POLES AVAILABLE, -2 VERSION REMOVED MOUNT. HOLES ECN BU-U09085 MK	04/20 2009	
4	REVISED LMGX-X-XXXX TO LMGXX-X-XXXX, DELETED REFERENCES TO FUSE SIZES, ADDED CONFIGURATIONS ON TABLE 1 ECN BU-U09198 JS	11/17 2009	
5	ADDED METRIC TORQUE 10.8 - 13.6 N-m ECN BU-U10076 KF	04/29 2010	



**LMGXX - X - XXX(X)**



**BILL OF MATERIALS**

ITEM #	DESCRIPTION	QUANTITY	COMMENTS
1	HOUSING	1	P/N DICTATED BY POLE QTY & THD TYPE 2, 3 & 5 POLE CURRENTLY AVAILABLE
2	BUSSBAR	1	P/N DICTATED BY POLE QUANTITY
3	FUSE	DICTATED BY POLE QUANTITY AND CUSTOMER REQUIREMENT	CONSULT FACTORY FOR AVAILABLE FUSES
4	LOCKWASHER	1 - PER STUD AND HEX BOLT	
5	HEX NUT	1 - PER STUD AND HEX BOLT	NYLOCK NUTS & FLAT WASHERS ARE AVAILABLE OPTIONS
6	COVER	1	EDPM MATERIAL, RED IN COLOR AVAILABLE AS AN OPTION
7	HEX BOLT	2	

**TABLE 1 - XXX(X) CONFIGURATIONS**

-000	NO FUSES, NO COVER
-001	NO FUSES, WITH COVER
-002	NO FUSES, NO COVER, NO BUSSBAR
-XXX	CUSTOM (CONSULT FACTORY)

**NOTES:**

- FOR STANDARD PRODUCT, SEE BOM.
- FOR SPECIFIC CUSTOMER CONFIGURATIONS SEE ASSEMBLY DRAWINGS.
- TORQUE NUTS (WHEN APPLICABLE) 10.8 - 13.6 N-m [8 - 10 FT-LBS]
- 100A MAX ALLOWABLE CONTINUOUS CURRENT PER POLE. CONSULT FACTORY FOR FUSE APPLICATION.

**COOPER Bussmann**  
 TRANSPORTATION

TOLERANCES UNLESS OTHERWISE SPECIFIED	
METRIC (mm)	ENGLISH (in)
1 PL DEC.= .25±	2 PL DEC.= .01±
2 PL DEC.= .13±	3 PL DEC.= .005±

THIRD ANGLE PROJECTION
ANGULAR TOL= ±2° FRACTIONAL TOL= 1/64IN

○ CAPSULE AROUND DIMENSION INDICATES INCOMING INSPECTION REQUIRED  
 △ INDICATES CRITICAL CHARACTERISTIC (MUST MEET CPK REQUIREMENTS)

Plant Code: N  
 Design Units  
 Metric [English]

For change history please consult the Bussmann Engineering Change Notice number listed below.  
 BU-U10076

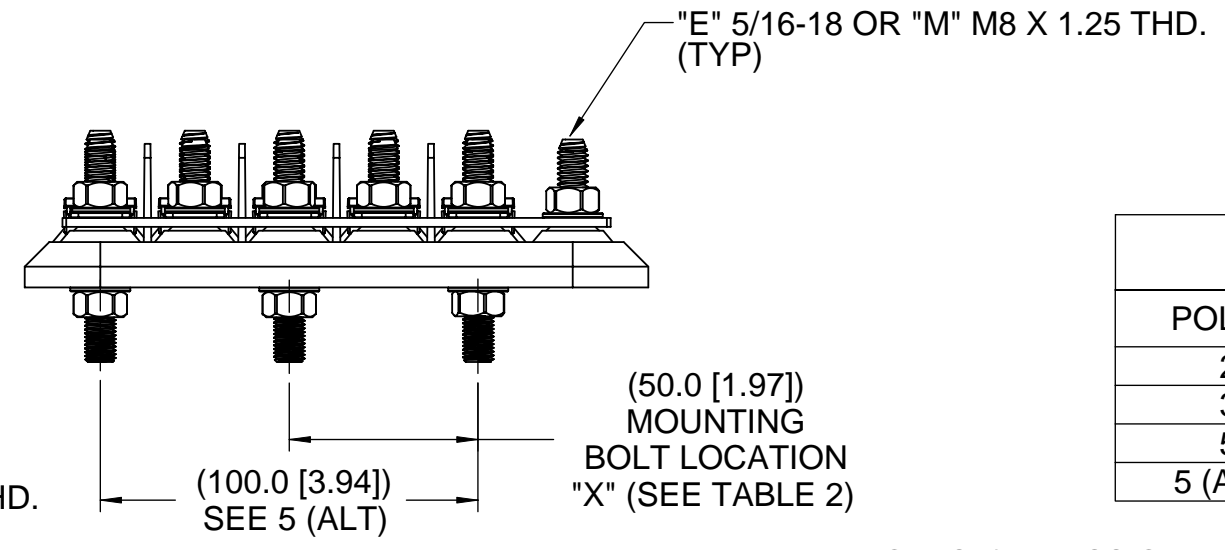
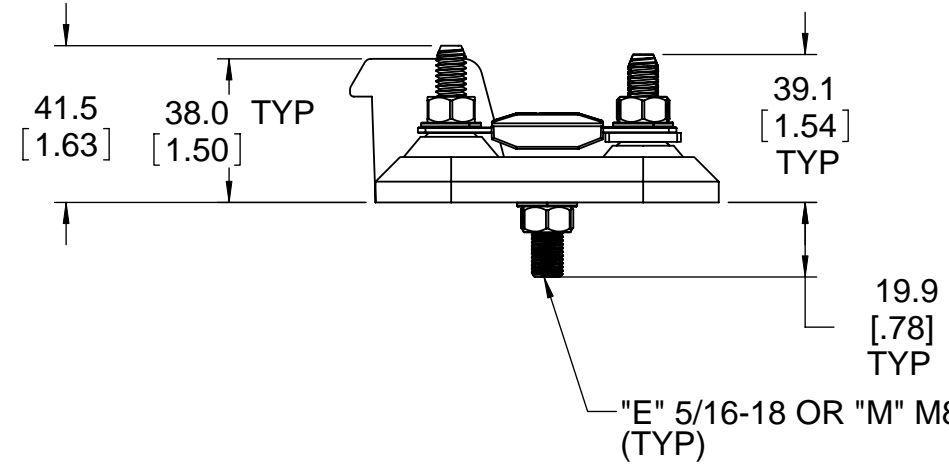
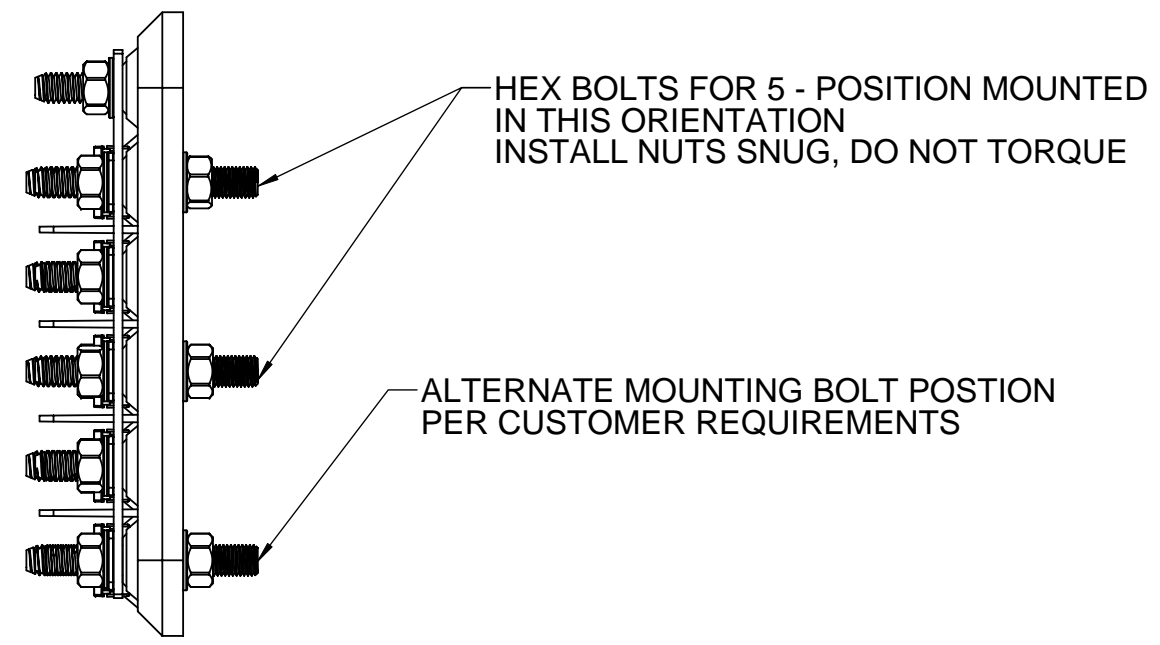
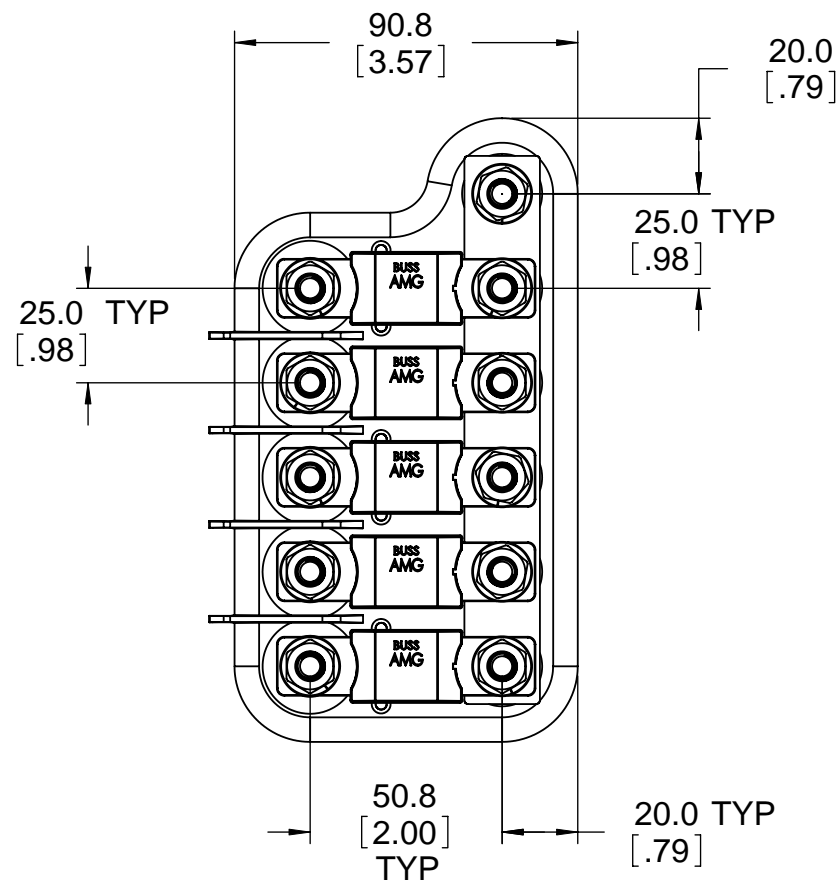
TITLE  
**ASSEMBLY, LMG**  
 SHEET 1 OF 2 SCALE 1:2 REVISION VERSION 5.

DATE 04/29/10 DRAWN BY KFITCH  
 PART NO. **LMGXX-X-XXX(X)-SALES**  
 THIS IS A SOLIDWORKS DRAWING Ref. Name: LMGXX-X-XXX(X)-SALES

CONFIDENTIAL -  
The Information contained in this document is the property of Cooper Industries, Inc. It is not for public disclosure. Possession of the Information does not convey any right to loan, sell, or disclose the Information. Unauthorized reproduction or use of the Information is Prohibited. This document is to be returned to Cooper Industries, Inc. upon completion of the purpose for which it is loaned or upon request.

COPYRIGHT Cooper Industries, Inc.  
This is an unpublished work. The disclosure of this work is limited to select personnel. Further dissemination or disclosure to the public is PROHIBITED.  
This unpublished work is protected by Federal Copyright Law and all rights thereunder are reserved by Cooper Industries, Inc.

REVISION			
REV	DESCRIPTION	DATE	BY
5	SEE SHEET 1	04/29 2010	



POLE #	"X" MM
2	25
3	50
5	50
5 (ALT)	100

- NOTES: (UNLESS OTHERWISE SPECIFIED)
- 5 POSITION ASSEMBLY SHOWN FOR REFERENCE ONLY. SAME DIMENSIONS APPLY TO REMAINING HOUSINGS.
  - PART SHOWN WITHOUT OPTIONAL COVER.

**COOPER Bussmann**  
TRANSPORTATION

TOLERANCES UNLESS OTHERWISE SPECIFIED	
METRIC (mm)	ENGLISH (in)
1 PL DEC.= .25±	2 PL DEC.= .01±
2 PL DEC.= .13±	3 PL DEC.= .005±

THIRD ANGLE PROJECTION  
ANGULAR TOL= ±2°  
FRACTIONAL TOL = 1/64IN

○ CAPSULE AROUND DIMENSION INDICATES INCOMING INSPECTION REQUIRED  
△ INDICATES CRITICAL CHARACTERISTIC (MUST MEET CPK REQUIREMENTS)

Plant Code: N  
Design Units  
Metric [English]  
For change history please consult the Bussmann Engineering Change Notice number listed below.  
BU-U10076

TITLE  
**ASSEMBLY, LMG**  
SHEET 2 OF 2  
SCALE 1:2  
REVISION VERSION 5.

DATE 04/29/10  
DRAWN BY KFITCH  
PART NO. LMGXX-X-XXX(X)-SALES  
THIS IS A SOLIDWORKS DRAWING Ref. Name: LMGXX-X-XXX(X)-SALES