

# PV9 SERIES ANTI-VANDAL SWITCH

ANTI-VANDAL SWITCHES  
DETECTOR SWITCHES  
DIP SWITCHES  
KEYLOCK SWITCHES  
NAVIGATION SWITCHES  
PUSHBUTTON SWITCHES  
ROCKER SWITCHES  
ROTARY SWITCHES  
SLIDE SWITCHES  
SNAP ACTION SWITCHES  
TACTILE SWITCHES  
TOGGLE SWITCHES  
CAP OPTIONS



## APPLICATIONS / MARKETS



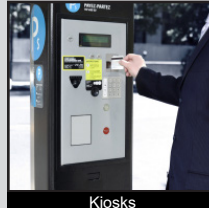
Audio / Visual



Security Devices



Industrial Controls



Kiosks



Electrical Housewares



Medical Equipment

# RoHS

## SPECIFICATIONS

**Electrical Rating:** 2A, 48VDC  
**Mechanical Life:** 1,000,000 Cycles  
**Electrical Life:** 50,000 Cycles  
**Contact Resistance:** 50mΩ Max.  
**Insulation Resistance:** 1000 MΩ Min. @ 500VDC  
**Dielectric Strength:** 2,000VAC  
**Operating/Storage Temperature:** -20°C to 55°C  
**Travel:** 2.8mm  
**Moisture Protection:** IP66  
**Contact Arrangement:** SPDT or DPDT  
**Actuation Force:** 6.5N  
**Panel Thickness:** 1-10mm for Momentary  
 1-12mm for Latching  
**Hex Nut Torque:** 0.6Nm

## FEATURES & BENEFITS

- 28mm diameter panel cutout
- Dot or ring illumination options available
- Multiple switch functions available
- Multiple illumination voltage options
- IP66 rated
- SPDT or DPDT
- Soldered wire leads (300mm long) optional

## PART NUMBER CONFIGURATOR

Series	Actuator Options	Terminal Options	Function Options	Rating Options	Body Finish Options	Actuator Finish Options	Lens Style Options	LED Color Options	Illumination Voltage Options
<input type="text" value="PV9"/>	<input type="text" value="F - Flat"/>	<input type="text" value="2 - Solder Leads 300mm"/>	<input type="text" value="Y - 1P OFF-(ON), 1P ON-(OFF)*"/>	<input type="text" value="0 - 2A, 48VDC"/>	<input type="text" value="N - Nickel Plated"/>	<input type="text" value="N - Nickel Plated"/>	<input type="text" value="NONE - Non-Illuminated"/>	<input type="text" value="NONE - Non-Illuminated"/>	<input type="text" value="NONE - Non-Illuminated"/>
			<input type="text" value="W - Wire Leads 300mm"/>		<input type="text" value="S - Stainless Steel"/>	<input type="text" value="S - Stainless Steel"/>	<input type="text" value="2 - Dot Illumination"/>	<input type="text" value="0 - White"/>	<input type="text" value="1 - Base Voltage†"/>
			<input type="text" value="T - 1P OFF-ON, 1P ON-OFF"/>				<input type="text" value="3 - Ring Illumination"/>	<input type="text" value="1 - Red"/>	<input type="text" value="3 - 6V"/>
			<input type="text" value="V - 2P OFF-(ON), 2P ON-(OFF)*"/>				<input type="text" value="4 - Blue"/>	<input type="text" value="2 - Orange"/>	<input type="text" value="4 - 12V"/>
			<input type="text" value="U - 2P OFF-ON, 2P ON-OFF"/>				<input type="text" value="5 - Yellow"/>	<input type="text" value="3 - Green"/>	<input type="text" value="5 - 24V"/>
							<input type="text" value="F - Red/Orange"/>	<input type="text" value="4 - Blue"/>	<input type="text" value="6 - 125V"/>
							<input type="text" value="G - Red/Green"/>	<input type="text" value="5 - Yellow"/>	<input type="text" value="7 - 250V"/>
							<input type="text" value="H - Red/Blue"/>	<input type="text" value="F - Red/Orange"/>	
							<input type="text" value="J - Red/Yellow"/>	<input type="text" value="G - Red/Green"/>	
							<input type="text" value="K - Orange/Green"/>	<input type="text" value="H - Red/Blue"/>	
							<input type="text" value="L - Orange/Blue"/>	<input type="text" value="J - Red/Yellow"/>	
							<input type="text" value="M - Orange/Yellow"/>	<input type="text" value="K - Orange/Green"/>	
								<input type="text" value="L - Orange/Blue"/>	
								<input type="text" value="M - Orange/Yellow"/>	

**NOTES:**  
 \* ( ) denotes function is momentary  
 † Base voltage for LED colors red, yellow, and orange is 1.8V @ 20mA  
 ‡ Base voltage for LED colors blue, green and white is 2.8V @ 20mA

Specifications subject to change without notice 5.15.2019



**E-SWITCH®**

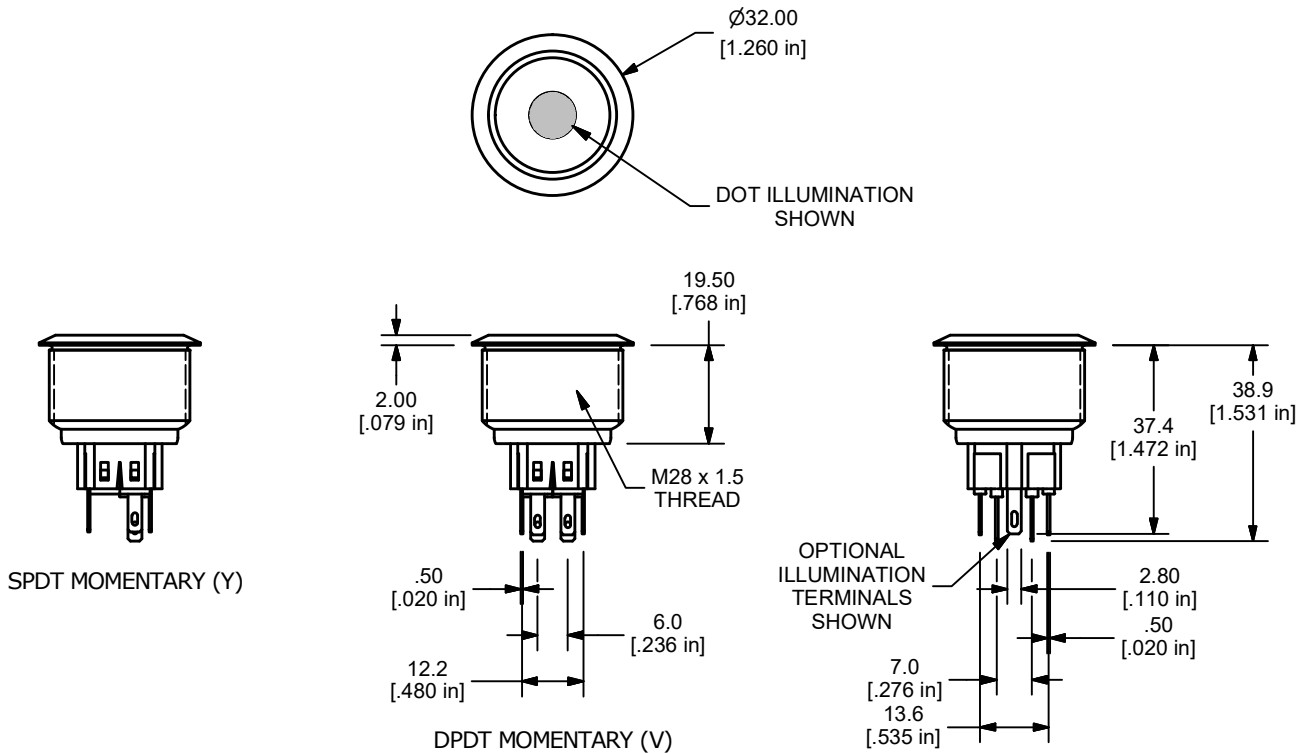
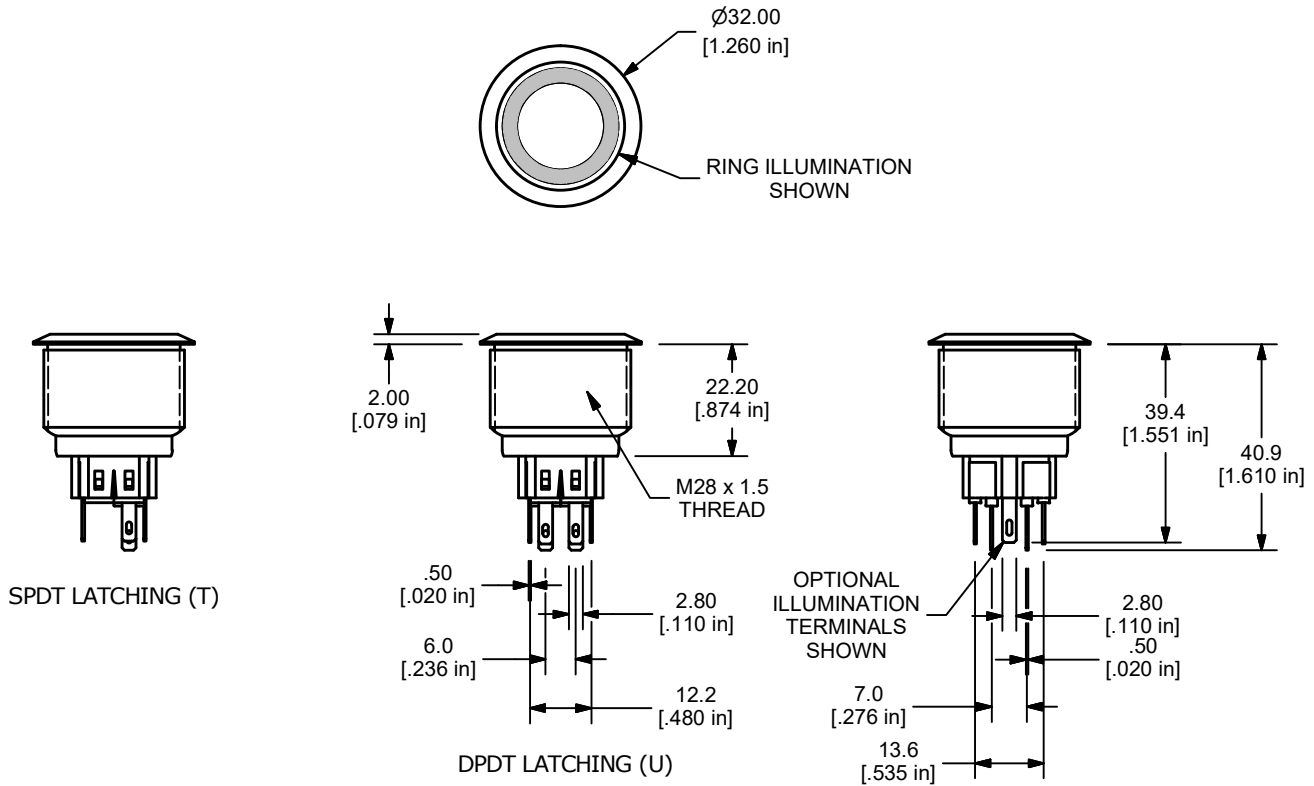
www.e-switch.com

800.867.2717

1

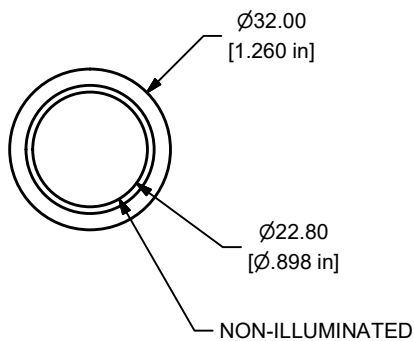
# PV9 SERIES ANTI-VANDAL SWITCH

## BODY DIMENSIONS

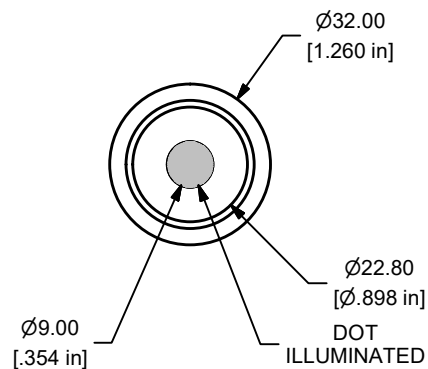


# PV9 SERIES ANTI-VANDAL SWITCH

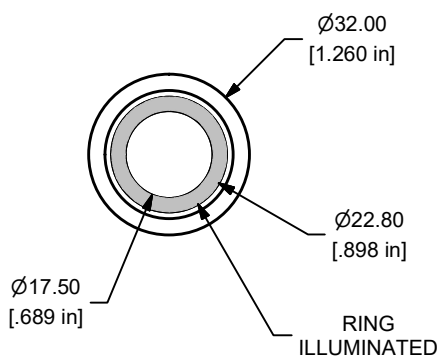
## ACTUATOR OPTIONS



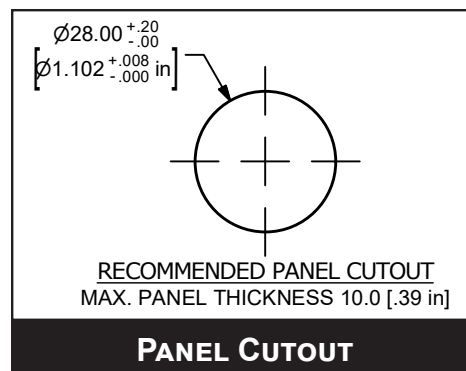
NON-ILLUMINATED



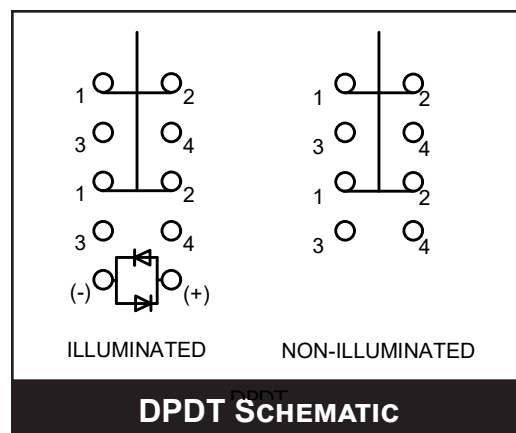
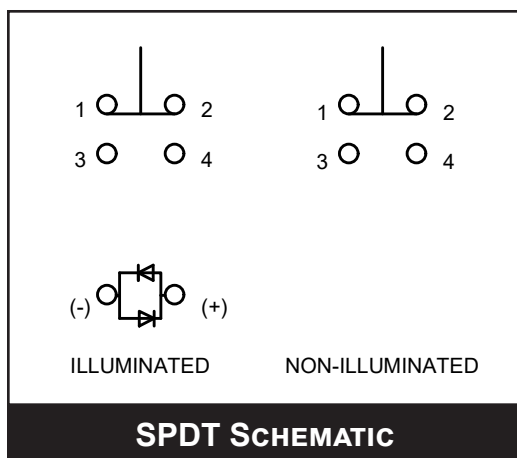
DOT ILLUMINATED



RING ILLUMINATED



## SCHEMATICS

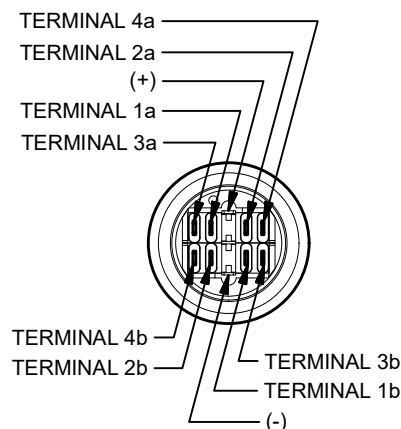
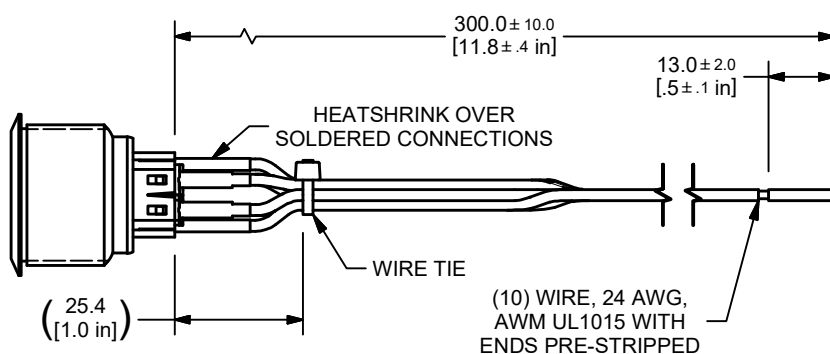


# PV9 SERIES ANTI-VANDAL SWITCH

## STANDARD LED WIRE LEAD

SWITCH	WIRE	LENGTH
SW1-1a	WIRE, 24AWG AWM UL1015, WHITE	300.0 [11.8 in]
SW1-2a	WIRE, 24AWG AWM UL1015, WHITE	300.0 [11.8 in]
SW1-3a	WIRE, 24AWG AWM UL1015, BLUE	300.0 [11.8 in]
SW1-4a	WIRE, 24AWG AWM UL1015, BLUE	300.0 [11.8 in]
SW1-1b	WIRE, 24AWG AWM UL1015, WHITE	300.0 [11.8 in]
SW1-2b	WIRE, 24AWG AWM UL1015, WHITE	300.0 [11.8 in]
SW1-3b	WIRE, 24AWG AWM UL1015, BLUE	300.0 [11.8 in]
SW1-4b	WIRE, 24AWG AWM UL1015, BLUE	300.0 [11.8 in]
SW1- (+)	WIRE, 24AWG AWM UL1015, RED	300.0 [11.8 in]
SW1- (-)	WIRE, 24AWG AWM UL1015, BLACK	300.0 [11.8 in]

\*\* WIRE LEADS PROVIDED ARE DEPENDANT ON THE FUNCTION AND/OR ILLUMINATION SELECTED \*\*



**BOTTOM VIEW  
SHOWN WITHOUT  
WIRING**

